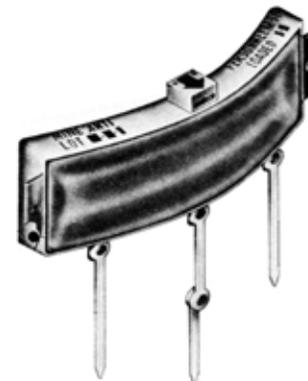
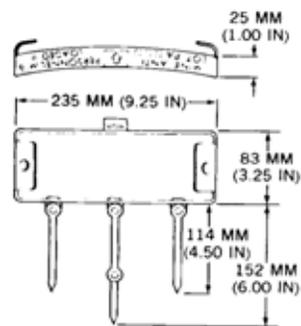


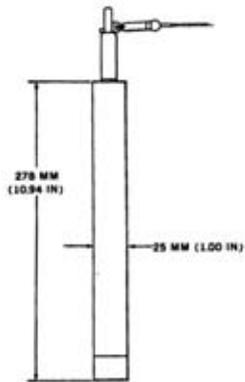
**CHINESE LANDMINE, APERS, CLAYMORE, TYPE 66**



**U.S. LANDMINE, APERS, HE, M18**

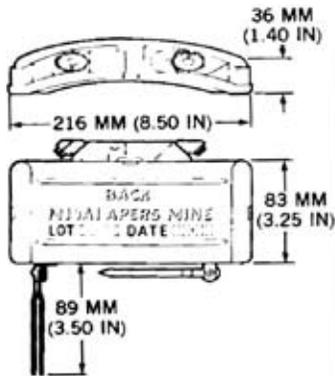


N.E.W. 340.00 G



## U.S.S.R. LANDMINE, SIGNAL, SM

Ordnance used with:  
MUV, PULL  
MUV-2, FIRING DEVICE, PULL/PRESSURE  
MUV-3, FIRING DEVICE, PULL/PRESURE



## U.S. LANDMINE, APERS, HE, M18A1; & PRACTICE, M68

N.E.W. 680.00 G

## BELGIAN LANDMINE, APERS, MODEL NR 413



N.E.W. 95.00 G

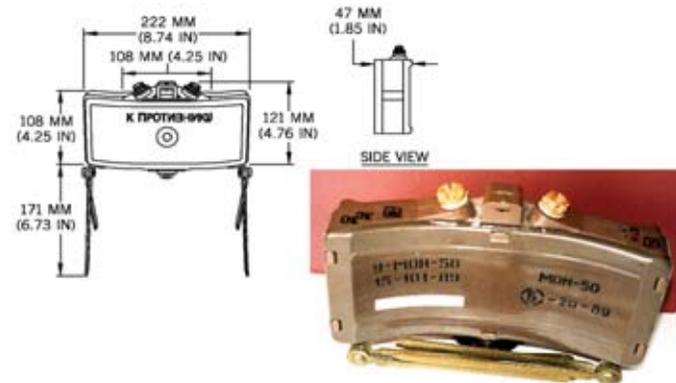
## U.S.S.R. LANDMINE, APERS, FRAG, MON-50

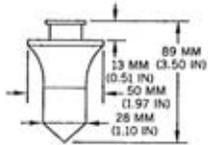
Ordnance used with:

MUV-4, PULL

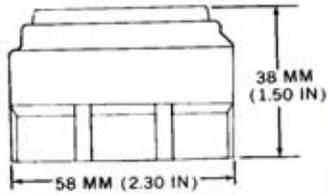
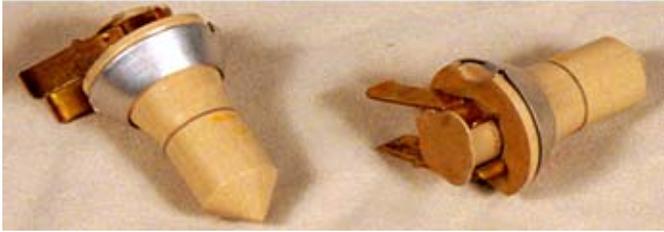
MUV, PULL

MUV-2, FIRING DEVICE, PULL/PRESSURE





**CANADIAN LANDMINE, APERS, C-3A1 (ELSIE)**



**U.S. LANDMINES, APERS, HE, M14 & M14E1; & LANDMINE, APERS, PRACTICE, M17**

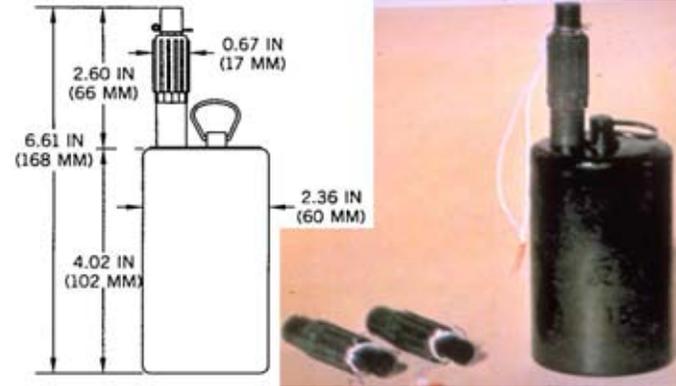
Ordnance used with:  
T1204, AP

N.E.W. 29.00 G

## CHINESE LANDMINE, APERS (BOUNDING), TYPE 69

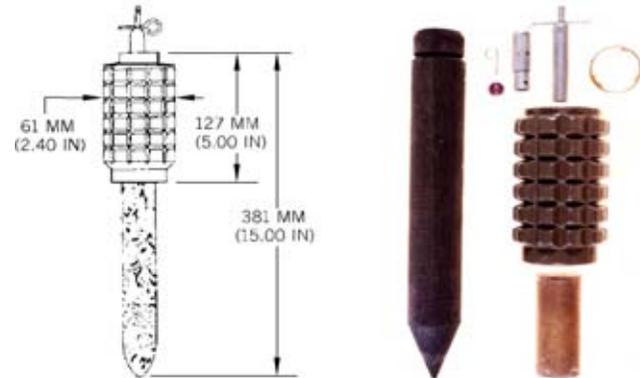
Ordnance used with:  
MODEL UNKNOWN, LANDMINE, PULL/PRESSURE

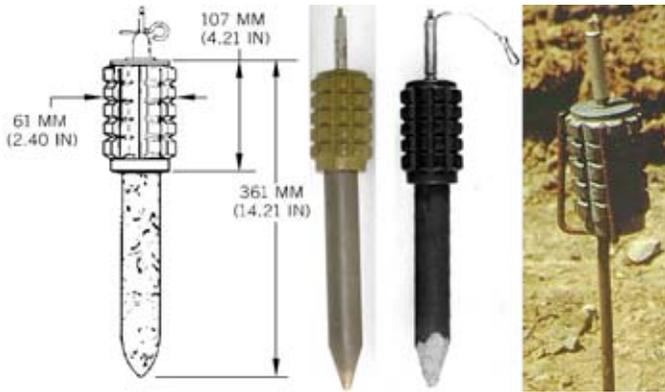
N.E.W. 110.00 G



## U.S.S.R. LANDMINE: APERS, POMZ-2 AND PRACTICE, UIPOMZ-2

Ordnance used with:  
MUV-4, PULL  
MODEL UNKNOWN, PULL  
MUV, PULL  
MUV-2, FIRING DEVICE, PULL/PRESSURE  
MUV-3, FIRING DEVICE, PULL/PRESSURE  
MV-5, FUZE, LANDMINE, AT, PRESSURE  
NM, INITIATOR, ELECTRIC

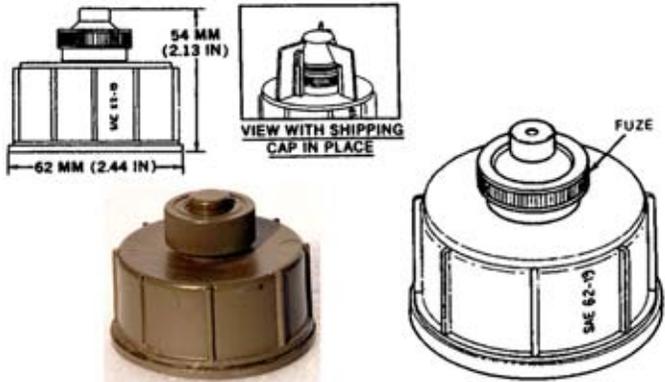




### U.S.S.R. LANDMINE: APERS, POMZ-2M

Ordnance used with:  
 MUV-4, PULL  
 MODEL UNKNOWN, PULL  
 MUV, PULL  
 MUV-2, FIRING DEVICE, PULL/PRESSURE  
 MUV-3, FIRING DEVICE, PULL/PRESURE  
 MV-5, FUZE, LANDMINE, AT, PRESSURE  
 NM, INITIATOR, ELECTRIC

N.E.W. 75.00 G



### FRENCH LANDMINE, APERS, HE & PRACTICE, MODEL 59 "INKSTAND"

Ordnance used with:  
 NM SAE 59, LANDMINE, APERS, PRESSURE

N.E.W. 74.00 G

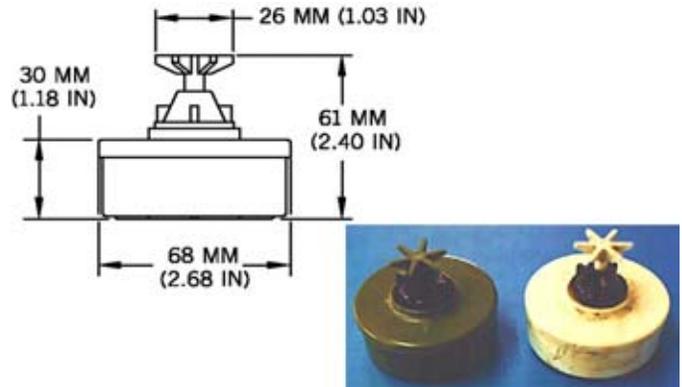
## IRANIAN LANDMINE, APERS, NO. 4 (PEDAL)

Ordnance used with:  
MODEL UNKNOWN, LANDMINE, PRESSURE (FOR NO. 4 PEDAL)

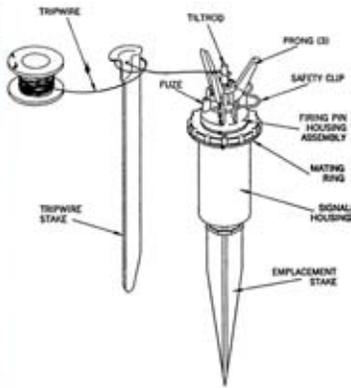
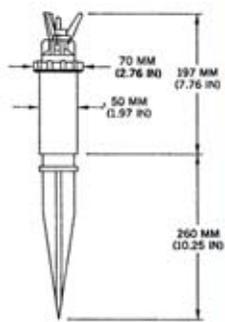


## YUGOSLAV LANDMINES, APERS, PMA-2; AND PRACTICE, VPMA-2

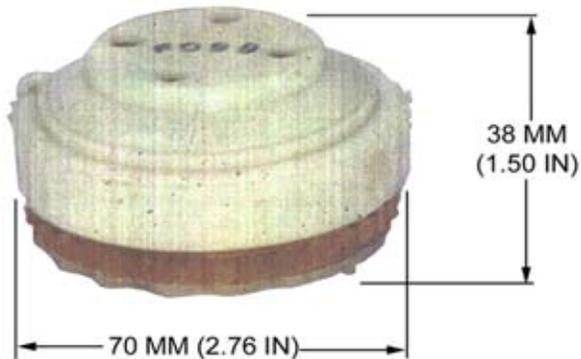
Ordnance used with:  
UPMAH-2, LANDMINE, APERS, PRESSURE



N.E.W. 100.00 G



## ITALIAN LANDMINE, ILLUMINATION, VS-T



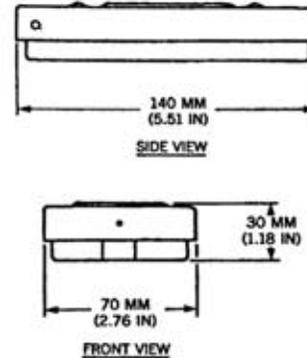
## PAKISTANI LANDMINE, APERS, P2 MK2

Ordnance used with:  
P2 MK2, AT, NONMETALLIC  
P3 MK 2, AT

N.E.W. 58.00 G

## YUGOSLAV LANDMINES, APERS, PMA-1, PMA-1A, & PRACTICE, VPMA-1A

Ordnance used with:  
UPM-1, FIRING DEVICE, PULL/PRESSURE/TENSION RELEASE  
UPMAH-1, LANDMINE, APERS, PRESSURE



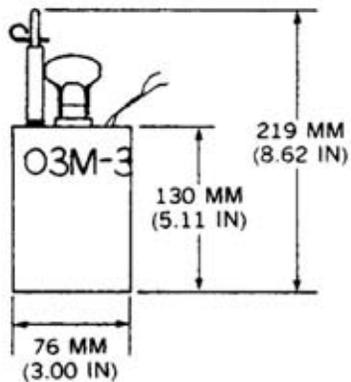
N.E.W. 200.00 G

## YUGOSLAV LANDMINES, APERS, BOUNDING, (FRAG), PROM-1 AND PRACTICE VPROM-1

Ordnance used with:  
UPROM-1, LANDMINE, APERS, PRESSURE/PULL  
M61-1, LANDMINE, APERS, PULL



N.E.W. 448.00 G



**U.S.S.R. LANDMINE, APERS, OZM-3**

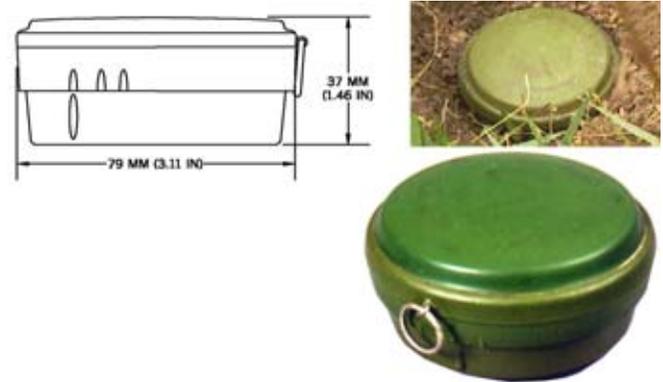
N.E.W. 75.00 G



**ITALIAN LANDMINE, APERS, MODEL VAR/40**

N.E.W. 49.00 G

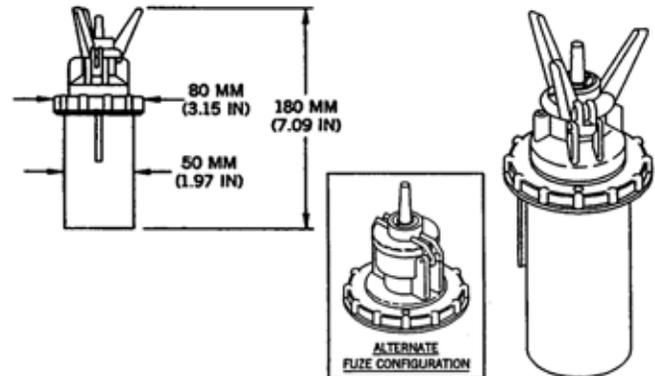
## CHINESE LANDMINES, APERS, TYPES 72, 72B, AND 72C

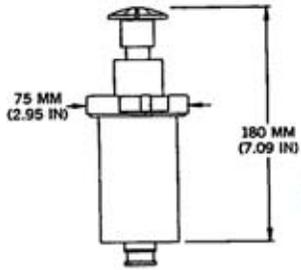


N.E.W. 51.00 G

## ITALIAN LANDMINE, APERS, P-25 (W/TYPE 1 FUZE)

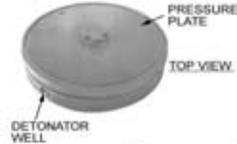
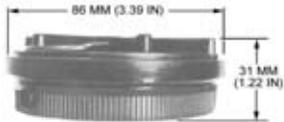
Ordnance used with:  
TYPE 1, LANDMINE, APERS, PULL/PRESSURE  
TYPE 2, LANDMINE, APERS, PULL/PRESSURE





## ITALIAN LANDMINE, APERS, P-25 (W/TYPE 2 FUZE)

Ordnance used with:  
TYPE 1, LANDMINE, APERS, PULL/PRESSURE  
TYPE 2, LANDMINE, APERS, PULL/PRESSURE

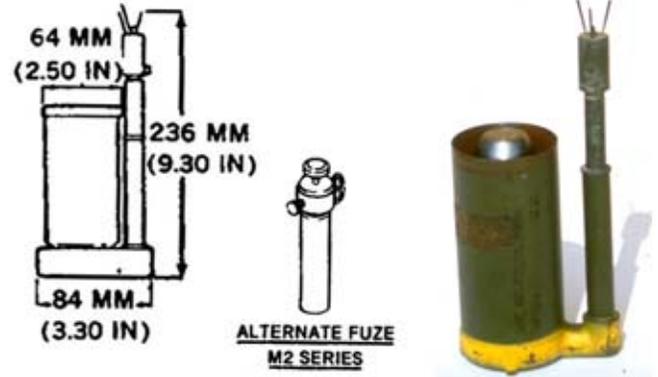


## BELGIAN LANDMINE, APERS, PRB-M409

N.E.W. 0.18 LB

## U.S. LANDMINE, APERS, HE, M2A4

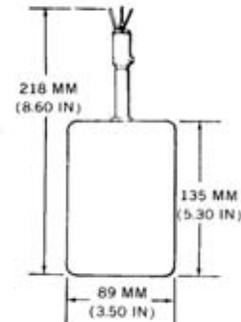
Ordnance used with:  
M6A1, LANDMINE, APERS, COMBINATION  
UNDESIGNATED, WARHEAD, LANDMINE, APERS



N.E.W. 200.50 G

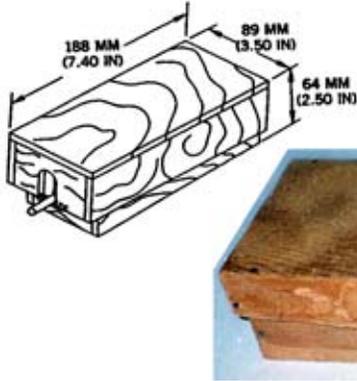
## U.S. LANDMINES, APERS, HE, M3, M3A1, & M3B1; LANDMINE, INERT, M3

Ordnance used with:  
M3, LANDMINE, APERS, PULL/PRESSURE  
M7, LANDMINE, PULL/PRESSURE



N.E.W. 1.00 LB

## U.S.S.R. LANDMINES, APERS, PMD-6 AND PMD-6M



N.E.W. 200.00 G

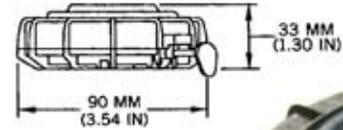


## IRAQI LANDMINE, APERS, TRAINING, MODEL UNKNOWN

Ordnance used with:  
MODEL UNKNOWN, LANDMINE, PRESSURE

## ITALIAN LANDMINE, APERS, VS-MK 2 AND VS-MK 2 AR-AN

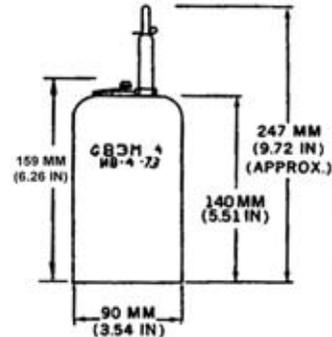
Ordnance used with:  
FIROS-30, 122-MM, ICM  
GRILLO, 95MM, MINE LAUNCHER

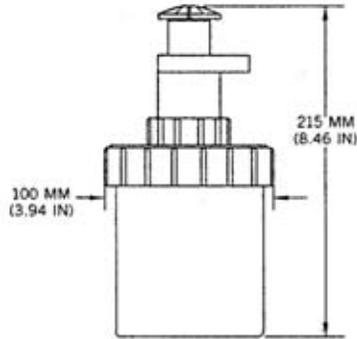


N.E.W. 23.00 G

## U.S.S.R. LANDMINE, APERS, BOUNDING, OZM-4

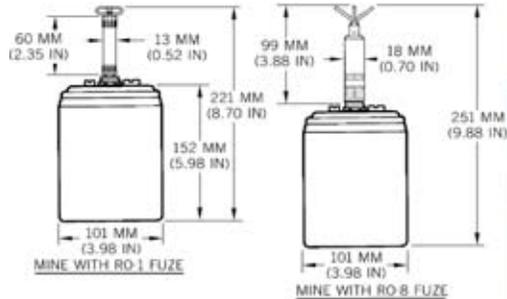
Ordnance used with:  
MUV-4, PULL  
MUV, PULL  
MUV-2, FIRING DEVICE, PULL/PRESSURE  
MUV-3, FIRING DEVICE, PULL/PRESURE  
VPF, FIRING DEVICE, PULL





## ITALIAN LANDMINE, P-40 TYPE 2

Ordnance used with:  
 TYPE 1, LANDMINE, APERS, PULL/PRESSURE  
 TYPE 2, LANDMINE, APERS, PULL/PRESSURE

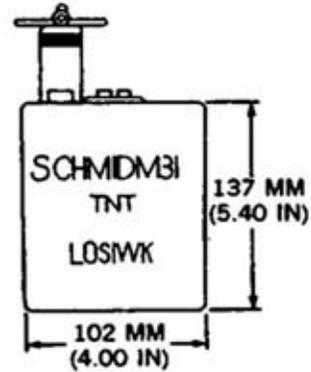


## CZECHOSLOVOKIAN LANDMINES, APERS, PP-MI-SR AND PP-MI-SR II

Ordnance used with:  
 RO-1, LANDMINE, PULL/PRESSURE  
 RO-8, LANDMINE, PRESSURE  
 UPM-1, FIRING DEVICE, PULL/PRESSURE/TENSION RELEASE

## GERMAN LANDMINE, APERS, DM-31

Ordnance used with:  
DM 56, LANDMINE, APERS, PULL/PRESSURE

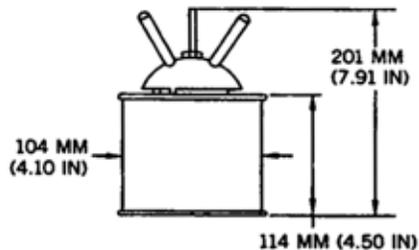


## YUGOSLAV LANDMINE, APERS, PMA-3

Ordnance used with:  
UPMAKH-3, LANDMINE, APERS, PRESSURE  
UPMAX-3, FUZE, LANDMINE, PRESSURE



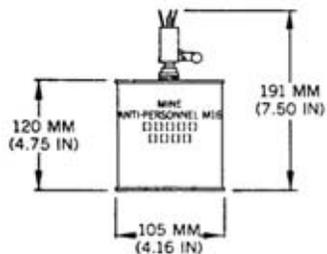
N.E.W. 35.00 G



### ITALIAN LANDMINES, APERS, VALMARA AND VALMARA 59

Ordnance used with:  
UNDESIGNATED, LANDMINE, APERS, PRESSURE/PULL

N.E.W. 564.00 G



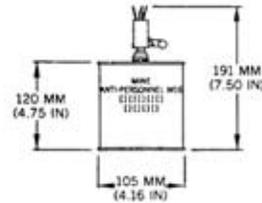
### U.S. LANDMINE, APERS, HE, M16A2; AND LANDMINE, INERT, M16A2

Ordnance used with:  
M605, FUZE, LANDMINE, AP, COMBINATION  
PA 504, FLASH DETONATOR

N.E.W. 608.00 G

**U.S. LANDMINES, APERS, HE, M16 AND M16A1; AND  
LANDMINES, INERT, M16 AND M16A1**

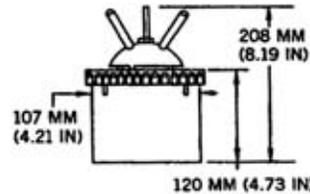
Ordnance used with:  
M605, FUZE, LANDMINE, AP, COMBINATION



N.E.W. 553.00 G

**ITALIAN LANDMINES, APERS, VALMARA 69  
PRACTICE, VALMARA 69**

Ordnance used with:  
VS-AR4, ANTILIFT DEVICE  
UNDESIGNATED, LANDMINE, APERS, PRESSURE/PULL





### U.S.S.R. LANDMINE, APERS, MODEL OZM-72

Ordnance used with:

MUV, PULL

MUV-2, FIRING DEVICE, PULL/PRESSURE

MUV-3, FIRING DEVICE, PULL/PRESURE

NM, INITIATOR, ELECTRIC



### U.K. LANDMINE, AT, L9A1 (BARMINE)

Ordnance used with:

L114A1, LANDMINE, AT, ELECTRONIC, ANTIDISTURBANCE

M/88, MAGNETIC INFLUENCE, LANDMINE

L90A1, LANDMINE, AT, PRESSURE

L128A1, LANDMINE, AT, MAGNETIC INFLUENCE

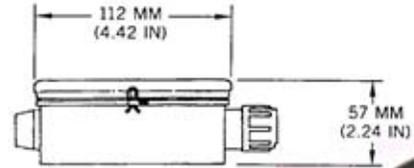
L89A1, LANDMINE, AT, PRESSURE

L131A1, LANDMINE, AT, ANTIDISTURBANCE

XL128E2, LANDMINE, AT, MAGNETIC INFLUENCE

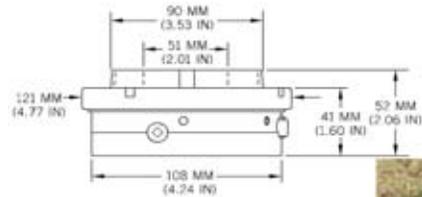
## U.S.S.R. LANDMINE, APERS, PMN

Ordnance used with:  
SVP, PYROTECHNIC ARMING DEVICE

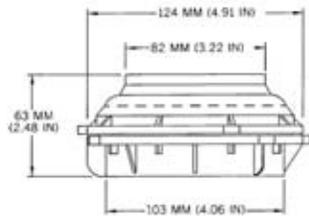


N.E.W. 227.00 G

## U.S.S.R. LANDMINE, APERS, PMN-2



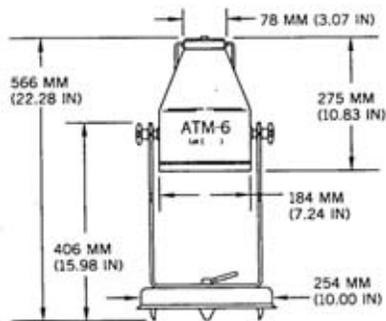
N.E.W. 115.00 G



**GERMAN (PEOPLE'S REPUBLIC) LANDMINES, APERS, PPM-2; AND PRACTICE, PPM-2 UB**

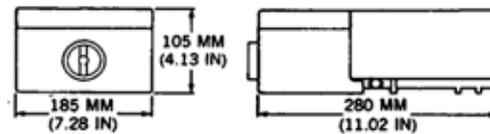
Ordnance used with:  
MDL UNK, DET, ELECTRIC SPARK GAP (FOR PPM-2 APERS MINE)

N.E.W. 112.00 G



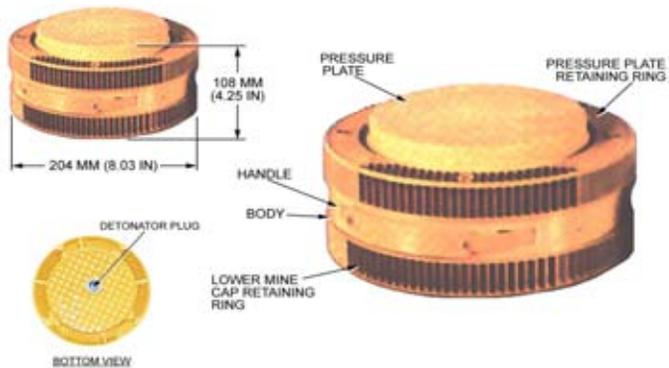
**AUSTRIAN LANDMINE, AT, OFF-ROUTE, ATM-6**

**FRENCH LANDMINE, AT, HPD F2**



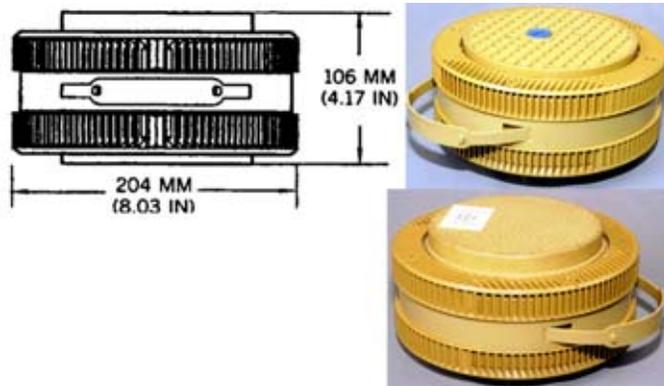
**ITALIAN LANDMINE, AT, VS-HCT4**





**EGYPTIAN LANDMINE, AT, M/80**

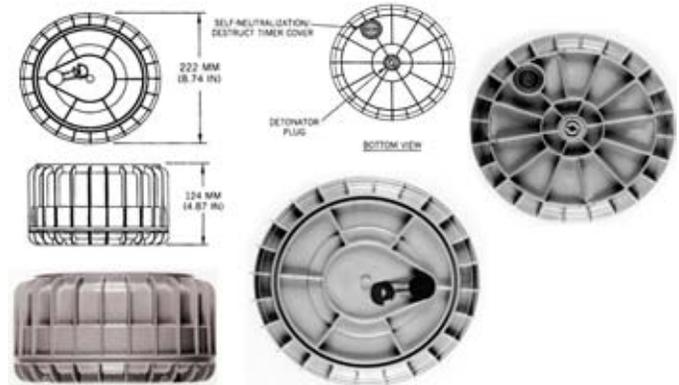
N.E.W. 2.40 KG



**ITALIAN LANDMINE, AT, TC/2.4**

Ordnance used with:  
MODEL UNKNOWN, ANTILIFT

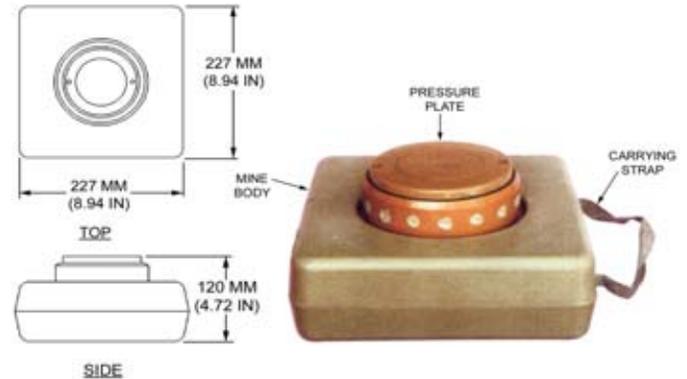
## ITALIAN LANDMINE, AT, VS-HCT



N.E.W. 2.40 KG

## BELGIAN LANDMINE, AT, PRB M3A1

Ordnance used with:  
PRB-M30, ANTILIFT DEVICE  
M60, LANDMINE, PRESSURE  
PRB MIG M60, LANDMINE, PRESSURE  
PRB 2144, FIRING DEVICE, PULL



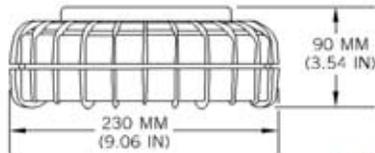
N.E.W. 6.00 KG



## U.S. LANDMINE, AT, HE, M21

Ordnance used with:  
M607, LANDMINE, AT, TILTROD

N.E.W. 10.70 LB



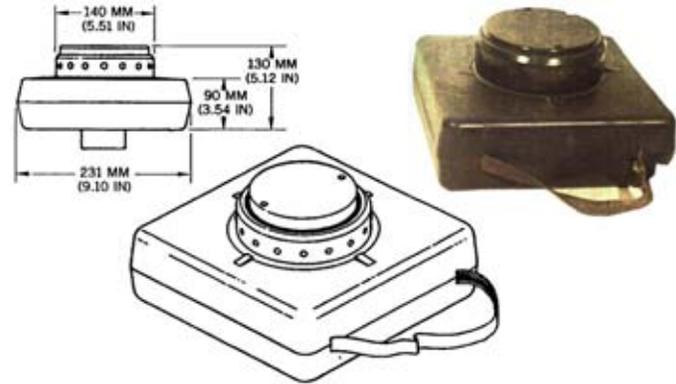
## ITALIAN LANDMINE, AT, SB-81; SPANISH C-5; PORTUGUESE M/453; AND IRANIAN YM-II



N.E.W. 2.20 KG

## BELGIAN LANDMINE, AT, PRB-ATK-M3

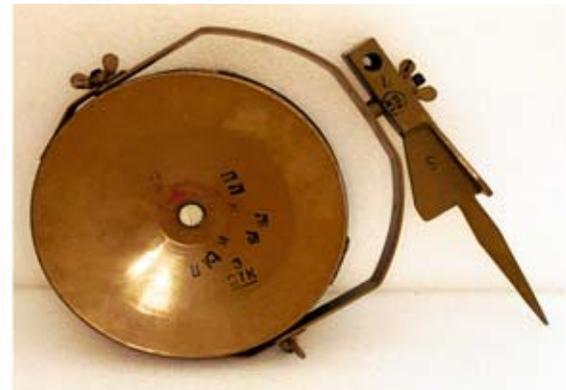
Ordnance used with:  
M30, LANDMINE, AT, PRESSURE  
PRB-M30, ANTILIFT DEVICE



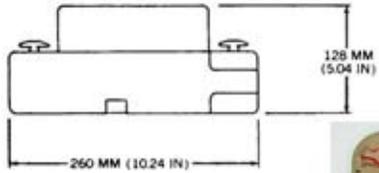
N.E.W. 13.20 LB

## U.S.S.R. LANDMINE, APERS, MON-100

Ordnance used with:  
MUV-4, PULL  
MUV, PULL  
MUV-2, FIRING DEVICE, PULL/PRESSURE  
MUV-3, FIRING DEVICE, PULL/PRESURE



N.E.W. 2.16 KG



### ITALIAN LANDMINE, AT, VS-HCT2 (MOD 1)



Ordnance used with:  
MODEL UNKNOWN, LANDMINE, AT, DETONATOR

N.E.W. 2.30 KG



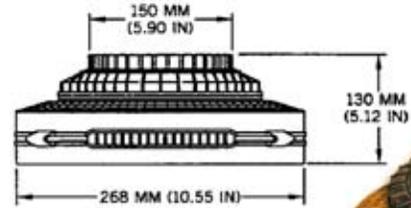
### U.K. LANDMINE, AT, NONMAGNETIC, L3A1

## ITALIAN LANDMINE, AT, SH-55

Ordnance used with:

VS-N-TLC, ELECTRONIC, FIELD PGM, R/C PRESS.-ACTUATED  
VS-N-EL2, ELECTRONIC, FIELD PGM, PRES/ANTIDISTURBANCE  
VS-N/AR-AN, ELECTRONIC, ANIT-REMOVAL/DISTRUBANCE  
VS-N, PRESSURE-ACTUATED  
FD-64, LANDMINE, AT, PRESSURE  
SH-160, LANDMINE, AT, PRESSURE

N.E.W. 5528.00 G

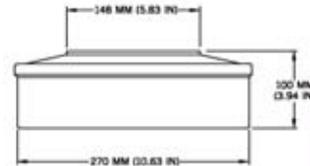


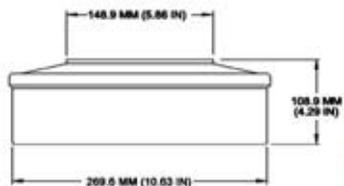
## CHINESE LANDMINE, AT, TYPE 72

Ordnance used with:

TYPE 69, LANDMINE, AT, DOUBLE IMPULSE  
TYPE 72A, LANDMINE, AT, (SINGLE IMPULSE)  
TYPE 81, LANDMINE, AT (SINGLE IMPULSE)  
TYPE 72, LANDMINE, AT, PRESSURE (BLAST RESISTANT)  
TYPE 74, 284MM, CARGO

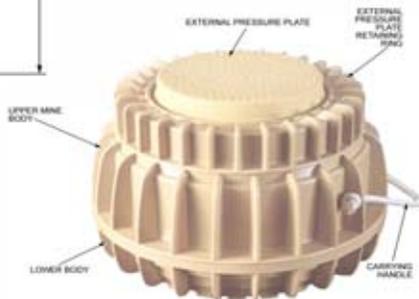
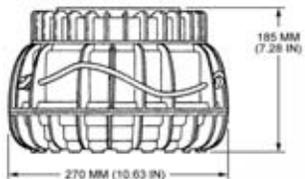
N.E.W. 6.60 KG





## IRANIAN LANDMINE, AT, YM-III

Ordnance used with:  
MODEL UNKNOWN, AT, PRESSURE

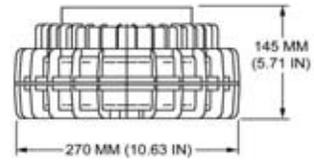


## ITALIAN LANDMINE, AT, ELECTRONIC, TCE/6

Ordnance used with:  
MODEL UNKNOWN, AT, ELECTRONIC FUZE, (TCE/6)

### ITALIAN LANDMINE, AT, TC/3.6

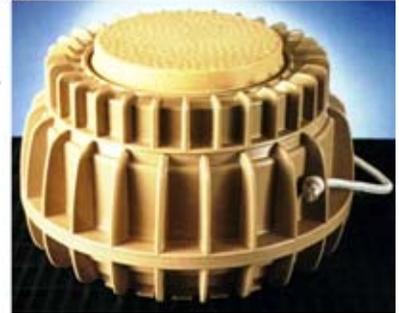
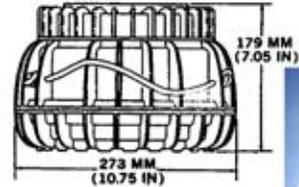
Ordnance used with:  
UNKNOWN, PRESSURE, LANDMINE (TC/3.6)

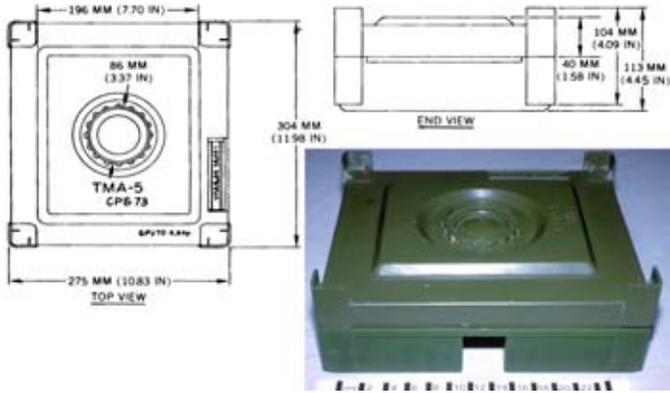


N.E.W. 3.60 KG

### ITALIAN LANDMINE, AT, MODEL TC-6

Ordnance used with:  
MODEL UNKNOWN, ANTILIFT  
UNKNOWN, FIRING DEVICE, IMPROVISED, PHOTOELECTRIC





**YUGOSLAV LANDMINES, AT, NONMETALLIC, MODEL TMA-5 & PRACTICE, VTMA-5**

Ordnance used with:  
UANU-1, LANDMINE, AT, PRESSURE

N.E.W. 5561.00 G



**SPANISH LANDMINE, AT, C-3-A**

## SPANISH LANDMINE, AT, C-3-B



## U.S.S.R. LANDMINES, AT, TM-46 AND TMN-46; AND TRAINING, UITM-46

Ordnance used with:

MUV, PULL

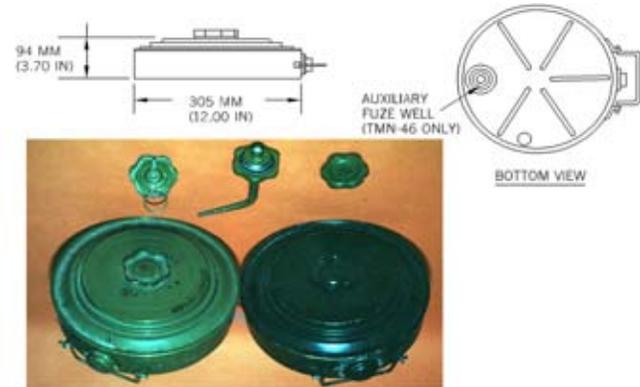
MUV-2, FIRING DEVICE, PULL/PRESSURE

MUV-3, FIRING DEVICE, PULL/PRESSURE

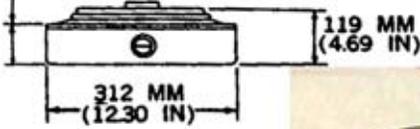
MV-5, FUZE, LANDMINE, AT, PRESSURE

MVM, FUZE, LANDMINE, AT, PRESSURE

MVSH-46, FUZE, LANDMINE, TILTROD



71 MM (2.80 IN)



### U.S.S.R. LANDMINE, AT, TM-57

Ordnance used with:  
MVSH 57, LANDMINE, AT, TILTROD  
MVZ-57, LANDMINE, AT, PRESSURE

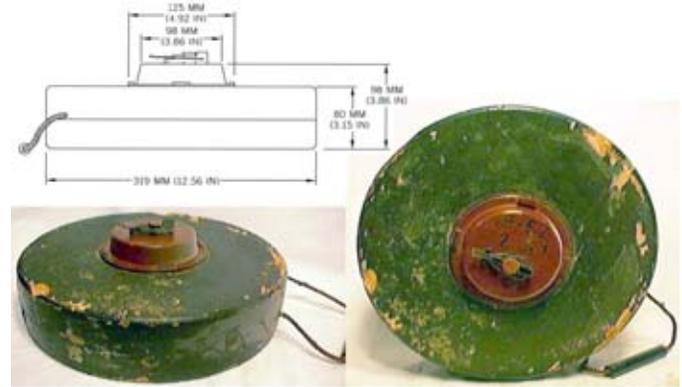


### U.S.S.R. LANDMINE, AT, TM-62M

Ordnance used with:  
MVCH-62, FUZE, LANDMINE, AT, PRESSURE  
MVN-62, FUZE, LANDMINE, AT, MAGNETIC INFLUENCE  
MVP-62, FUZE, LANDMINE, AT, PRESSURE  
NV-PTM, FUZE, LANDMINE, AT, MAGNETIC INFLUENCE  
NV-PTM-RC, AT, MAGNETIC INFLUENCE, REMOTE CONTROL  
VM-62, FUZE, LANDMINE, AT, PRESSURE  
MWP-62, FUZE, LANDMINE, AT, PRESSURE  
N.E.W. 5700.00 G

## ROMANIAN LANDMINE, AT, MAT-76

Ordnance used with:  
P-62, LANDMINE, PRESSURE



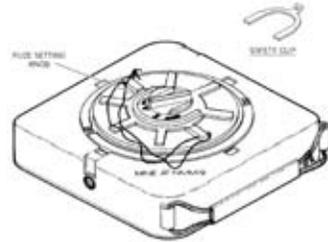
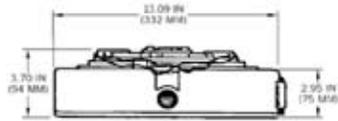
N.E.W. 9.00 KG

## CZECHOSLOVAKIAN LANDMINES, AT, PT-MI-BA III AND PRACTICE, BT-MI-BA III

Ordnance used with:  
RO-4, FIRING DEVICE, PRESSURE-RELEASE  
RO-7-II, LANDMINE, PRESSURE  
RO-7-III, LANDMINE, PRESSURE/ANTIREMOVAL



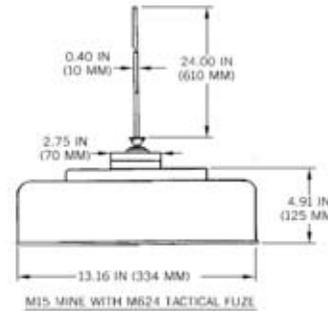
N.E.W. 7.50 KG



**U.S. LANDMINES: AT, HE, NONMETALLIC, M19;  
INERT, M19; AND TRAINING, M80**

Ordnance used with:  
M/88, MAGNETIC INFLUENCE, LANDMINE  
M606, LANDMINE PRESSURE, AT  
UNDESIGNATED, BOOSTER (52 G RDX)  
UNDESIGNATED, BOOSTER (52 G COMP A-5)

N.E.W. 21.25 LB



**U.S. LANDMINES: AT, HE, HEAVY, M15; AND  
PRACTICE, M20**

Ordnance used with:  
NO. 62A, LANDMINE, AT, TILTROD  
M603, FUZE, LANDMINE, AT, PRESSURE  
M4, ARMING PLUG  
M4B1, ARMING PLUG  
M624, FUZE, LANDMINE, AT, PRESSURE  
M1, ACTIVATOR, LANDMINE

N.E.W. 10.33 KG

## U.S.S.R. LANDMINE, APERS, MON-200

Ordnance used with:  
MUV-4, PULL  
MUV, PULL  
MUV-2, FIRING DEVICE, PULL/PRESSURE  
MUV-3, FIRING DEVICE, PULL/PRESURE

N.E.W. 12.16 KG

---

