

**BULGARIAN GUIDED MISSILE, SURFACE-TO-AIR,
SA-7B (STRELA 2)**



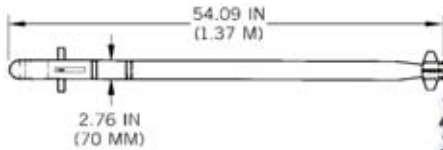
**U.S.S.R. GUIDED MISSILE, SURFACE-TO-SURFACE,
TRAINING, AT-2C (SWATTER)**





U.S.S.R. GUIDED MISSILES, SURFACE-TO-AIR, SA-6A & SA-6B (GAINFUL)

Ordnance used with:
UNKNOWN, WARHEAD, SA-6
S&A DEVICE, MODEL UNKNOWN, SA-6
CONTROL SECTION, SA-6A AND SA-6B, UNDESIGNATED
POPPULSION SECTION, SA-6A AND SA-6B, UNDESIGNATED



U.S. GUIDED MISSILE LAUNCHERS, SURFACE-TO-AIR, FIM-92A, FIM-92B, FIM-92C, FIM-92D, AND FIM-92E (STINGER) (MISSILE)

Ordnance used with:
T61, ELECTRIC DETONATOR

N.E.W. 11.30 LB

U.S. GUIDED MISSILES, SURFACE-TO-AIR, FIM-92A, FIM-92B, FIM-92C, FIM-92D, AND FIM-92E (STINGER) (LAUNCHER)

Ordnance used with:
T61, ELECTRIC DETONATOR



N.E.W. 11.30 LB

U.S.S.R. GUIDED MISSILE, SURFACE-TO-AIR, SA-14





U.S.S.R. GUIDED MISSILES, SA-7A, SA-7B, AND SA-N-5 (GRAIL)

Ordnance used with:
9K32M SYSTEM, USES SA-7B MISSILE
ZUR-23-2S, GUN/MISSILE AIR DEFENSE SYSTEM, 23MM, TOWED

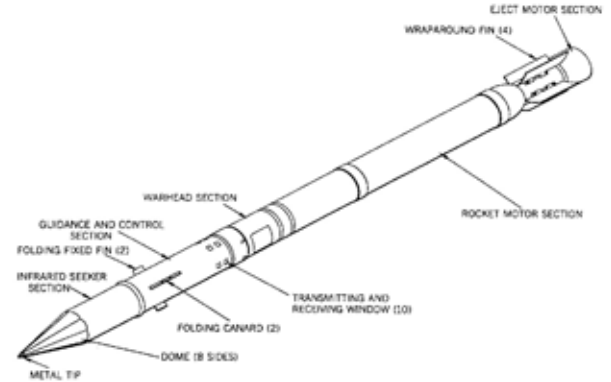
MARKINGS



U.S.S.R. GUIDED MISSILE, SURFACE-TO-AIR, U.S.S.R. GUIDED MISSILES, SURFACE-TO-AIR, SA-16 (9M313-1) (GIMLET)

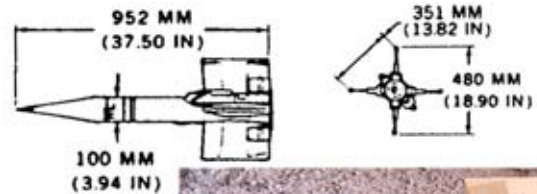
FRENCH GUIDED MISSILE, SURFACE-TO-AIR OR AIR-TO-AIR, MISTRAL

Ordnance used with:
ALAMO SYSTEM, USES MISTRAL MISSILE
ALBI SYSTEM, USES MISTRAL MISSILE
ATLAS SYSTEM, USES MISTRAL MISSILE
SANTAL SYSTEM, USES MISTRAL MISSILE
SANDRAL OR SIMBAD SYSTEM, USES MISTRAL MISSILE
SIMBAD SYSTEM, USES MISTRAL MISSILE

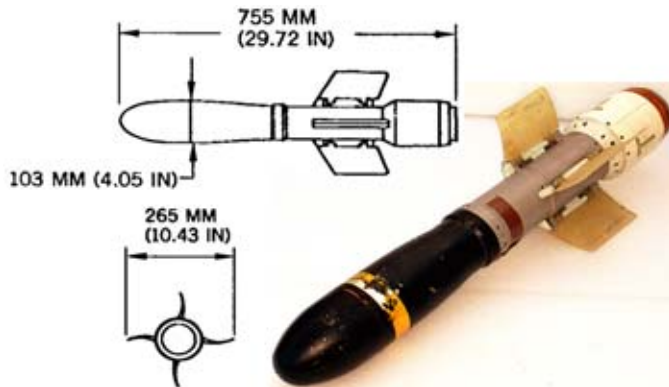


GERMAN (FEDERAL REPUBLIC) GUIDED MISSILE, SURFACE-TO-SURFACE, B0810 (COBRA)

Ordnance used with:
UNDESIGNATED, PIBD (MECHANICAL)

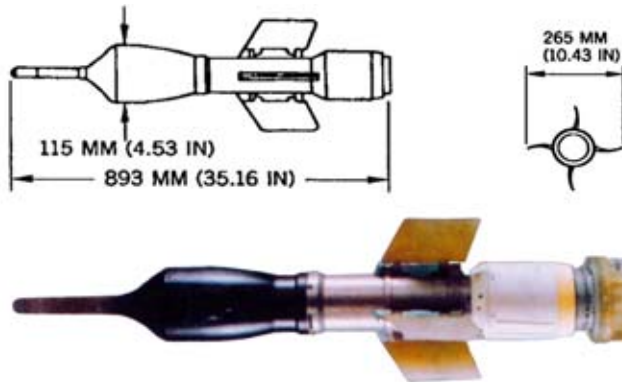


N.E.W. 3.11 KG



FRENCH GUIDED MISSILE, SURFACE-TO-SURFACE, MILAN

Ordnance used with:
UNDESIGNATED, PIBD-ELECTRIC (MILAN, MILAN 2)



FRENCH GUIDED MISSILE, SURFACE-TO-SURFACE, MILAN 2

Ordnance used with:
UNDESIGNATED, PIBD-ELECTRIC (MILAN, MILAN 2)
WARHEAD, MODEL UNKNOWN, MILAN 2
ROCKET MOTOR, MODEL UNKNOWN, MILAN 2
GUIDANCE AND CONTROL, MODEL UNKNOWN, MILAN 2
LAUNCH TUBE, MODEL UNKNOWN, MILAN 2

U.S.S.R. GUIDED MISSILE, SURFACE-TO-AIR, SA-13B (GOPHER)

Ordnance used with:
MODEL UNKNOWN, MOTOR, SOLID PROPELLANT (SA-13B)
UNKNOWN, LASER PROXIMITY (SA-13B)
UNKNOWN, WARHEAD, HE, DISCRETE-RODS (SA-13B)
UNKNOWN, IMPACT (SA-13B)
UNKNOWN, SEEKER, EO/IR (SA-13B)



U.S.S.R. GUIDED MISSILE, SURFACE-TO-SURFACE, AT-3A (SAGGER)

Ordnance used with:
WARHEAD AT-3A & AT-3C MALYUTKA, SAGGER
ROCKET MOTOR, AT-3A & AT-3C, MALYUTKA, SAGGER
GUIDANCE AND CONTROL, AT-3A & AT-3C MALYUTKA, SAGGER



**U.S.S.R. GUIDED MISSILE, SURFACE-TO-SURFACE,
AT-3B**



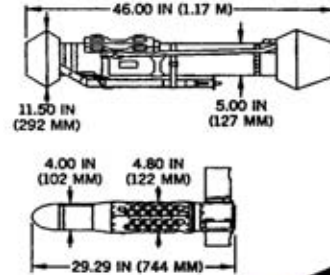
**U.S.S.R. GUIDED MISSILE, SURFACE-TO-SURFACE,
AT-5 (SPANDREL)**



Ordnance used with:
GUIDANCE SECTION AT-5A SPANDREL KONKURS
WARHEAD AT-5A, SPANDREL, 9M113, KONKURS
ROCKET MOTOR AT-5A, SPANDREL, 9M113, KONKURS

U.S. GUIDED MISSILE, HEAT, M222 (DRAGON)

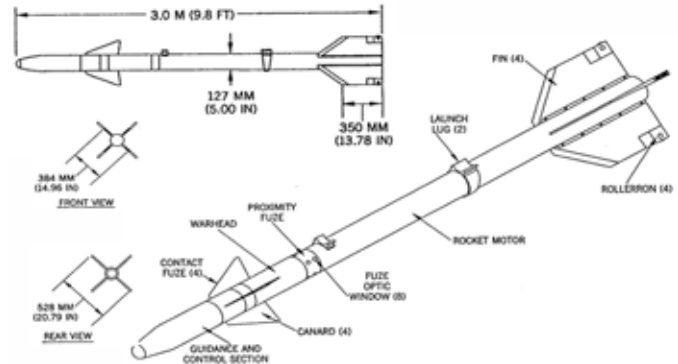
Ordnance used with:
M47, MEDIUM ANTITANK ASSAULT WEAPON SYSTEM (MAAWS)
M225, WARHEAD
M118E1, SAFE AND ARMING DEVICE
UNDESIGNATED, ROCKET MOTOR, DRAGON/Dragon II



N.E.W. 4.50 LB

CHINESE GUIDED MISSILE, AIR-TO-AIR, CAA-1C (THUNDERBOLT)

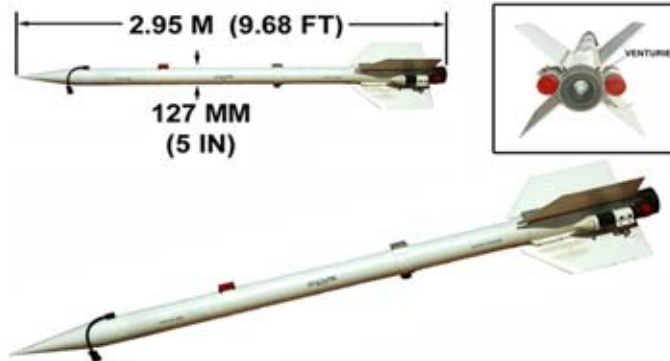
Ordnance used with:
F-7
F-7-1
F-7I
F-7-2
F-7-2A
F-7-3
F-7A





U.S.S.R. GUIDED MISSILE GUIDANCE CONTROL SECTION, R-13M1

Ordnance used with:
AA-2D, ATOLL, K-13M, R-13M



UNKNOWN COUNTRY GUIDED MISSILE, TYPE UNKNOWN, MODEL UNKNOWN

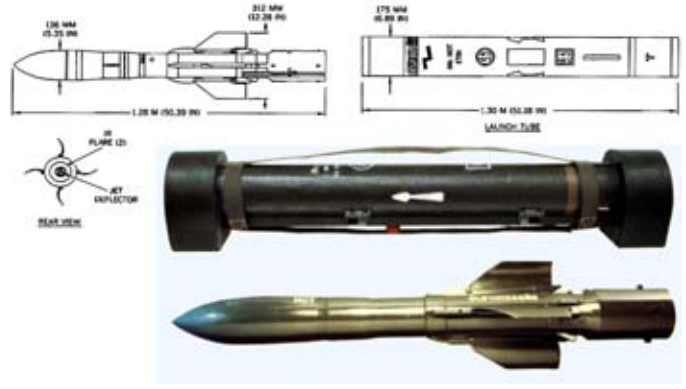
U.S.S.R. GUIDED MISSILE, AIR-TO-AIR, SA-13

Ordnance used with:
SAVA SYSTEM, USES SA-13A MISSILE
STRELA-10, GUIDED MISSILE SYSTEM (USES SA-13 MISSILE)



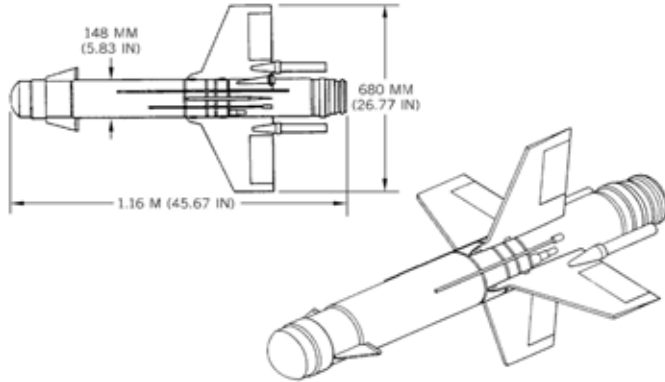
GERMAN/FRENCH GUIDED MISSILES, HOT; AND PRACTICE, HOT

Ordnance used with:
UNDESIGNATED, BASE-DETONATING, ELECTRIC
HOT, LAUNCH TUBE, SURFACE-TO-SURFACE, HEAT



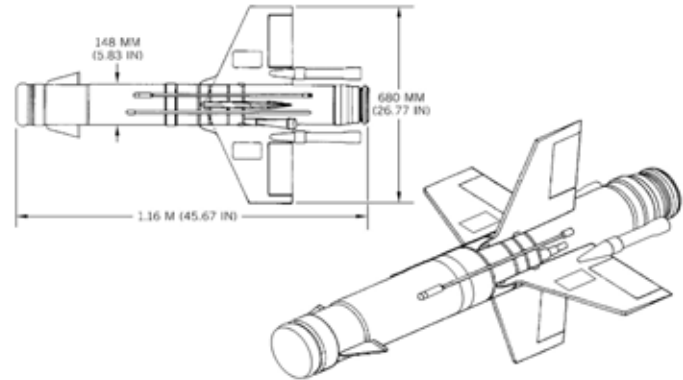


**U.S.S.R. GUIDED MISSILE, SURFACE-TO-SURFACE,
AT-2C (SWATTER)**



**U.S.S.R. GUIDED MISSILE, SURFACE-TO-SURFACE
AND AIR-TO-SURFACE, AT-2A SWATTER A**

U.S.S.R. GUIDED MISSILE, SURFACE-TO-SURFACE AND AIR-TO-SURFACE, AT-2B SWATTER B



U.S. GUIDED MISSILE LAUNCH CONTAINER, SURFACE ATTACK, BGM-71A & BGM-71B (TOW), & PRACTICE, BTM-71A (TOW)

Ordnance used with:

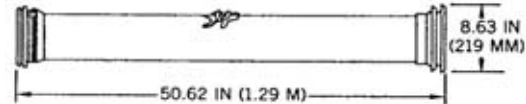
M114, SAFE AND ARM DEVICE, GUIDED MISSILE
UNDESIGNATED, FLIGHT MOTOR, 7-LB (BGM-71D)

M114, MOTOR, LAUNCH

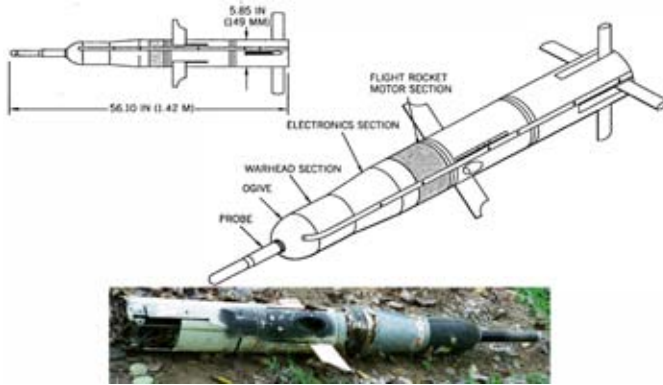
FLIGHT MOTOR, 6-LB, UNDESIGNATED

M207, WARHEAD, TOW-2A & TOW-2B

TOW 2 PROPULSION SYSTEM



N.E.W. 10.65 LB



U.S. GUIDED MISSILE, SURFACE ATTACK, BGM-71C (ITOW)

Ordnance used with:
M114, SAFE AND ARM DEVICE, GUIDED MISSILE UNDESIGNATED, FLIGHT MOTOR, 7-LB (BGM-71D)
M114, MOTOR, LAUNCH
FLIGHT MOTOR, 6-LB, UNDESIGNATED
207E1, WARHEAD, BGM-71C, ITOW
TOW 2 PROPULSION SYSTEM

N.E.W. 13.75 LB



U.S. GUIDED MISSILE, SURFACE-TO-SURFACE, BGM-71H, TOW BUNKER BUSTER

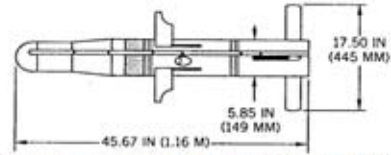
Ordnance used with:
BGM-71H, ORDNANCE MODULE
BGM-71H, PROPULSION MODULE
BGM-71H, CONTROL MODULE

N.E.W. 16.00 LB

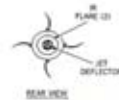
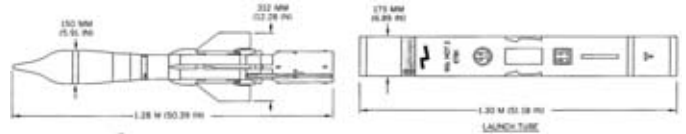
U.S. GUIDED MISSILES, SURFACE ATTACK, BGM-71A & BGM-71B (TOW), & PRACTICE, BTM-71A (TOW)

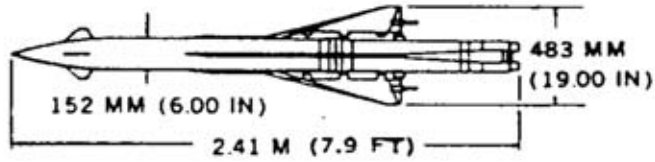
Ordnance used with:
M114, SAFE AND ARM DEVICE, GUIDED MISSILE UNDESIGNATED, FLIGHT MOTOR, 7-LB (BGM-71D)
M114, MOTOR, LAUNCH FLIGHT MOTOR, 6-LB, UNDESIGNATED
M207, WARHEAD, TOW-2A & TOW-2B
TOW 2 PROPULSION SYSTEM

N.E.W. 10.65 LB



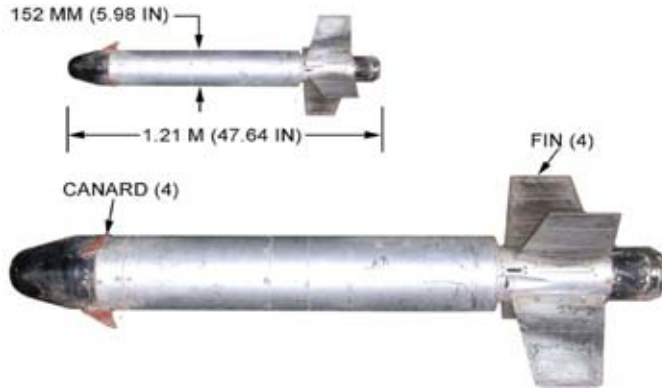
GERMAN/FRENCH GUIDED MISSILE, HOT 2





**FRENCH GUIDED MISSILE, SURFACE-TO-AIR,
ROLAND I AND II**

Ordnance used with:
DM 34A1, MISSILE MOTOR



**UNKNOWN COUNTRY GUIDED MISSILE, TYPE
UNKNOWN, AL NARHWA**

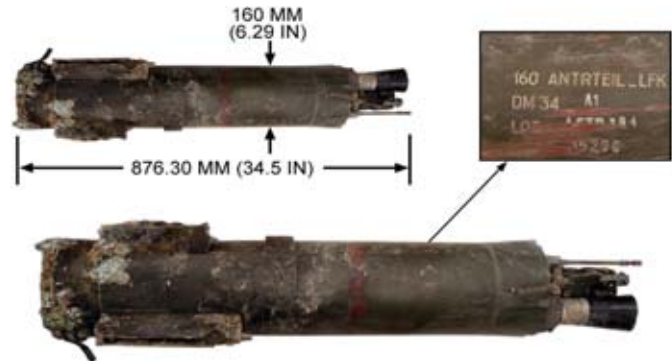
FRENCH GUIDED MISSILE, AIR-TO-AIR, MAGIC 1 R.550

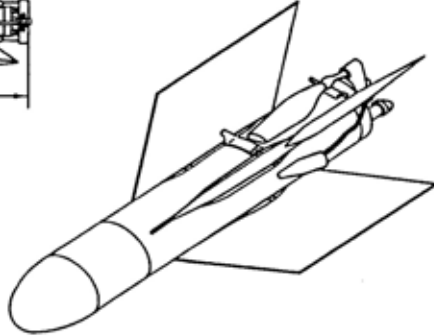
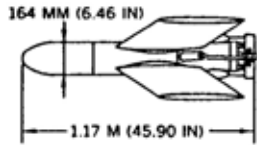
Ordnance used with:
T MK 4, AIRCRAFT (HARRIER)
GR MK 3 (HARRIER)
HAWK 200



GERMAN MISSILE MOTOR, DM 34A1

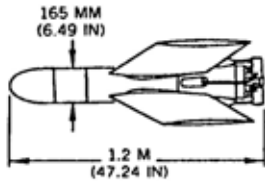
Ordnance used with:
ROLAND I, ROLAND 1, SURFACE-TO-AIR
ROLAND II, ROLAND 2, SURFACE-TO-AIR





FRENCH GUIDED MISSILE, AS/SS-11, SS.11

Ordnance used with:
UNDESIGNATED, BASE DETONATING

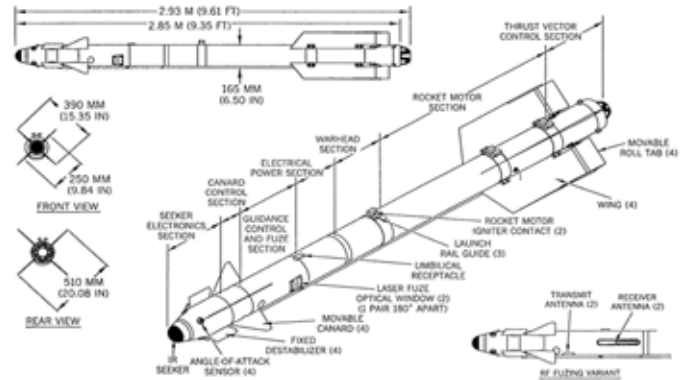


FRENCH GUIDED MISSILE, AS/SS-11A, AS.11A (HARPOON)

Ordnance used with:
UNDESIGNATED, BASE DETONATING

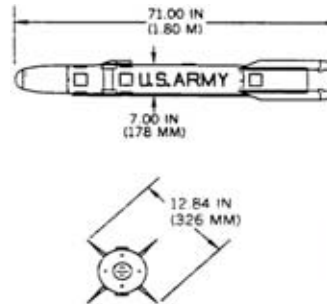
U.S.S.R. GUIDED MISSILE, AIR-TO-AIR, AA-11 (ARCHER)

Ordnance used with:
 UNDESIGNATED GUIDED MISSILE FUZE, PROXIMITY (RF)
 UNDESIGNATED GUIDED MISSILE FUZE, PROXIMITY (LASER)

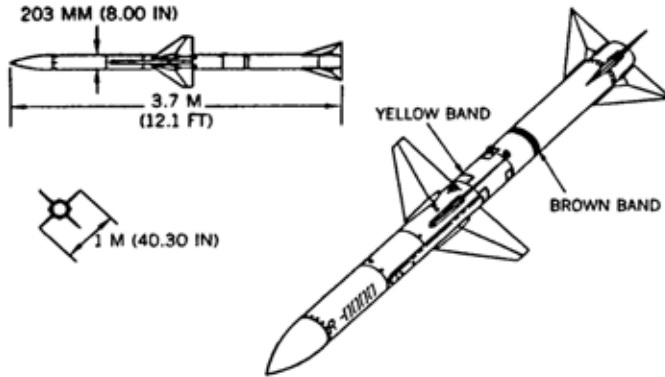


U.S. GUIDED MISSILE, AIR-TO-SURFACE, AGM-114F (IMPROVED HELLFIRE)

Ordnance used with:
 M820, FUZE, MISSILE, HELLFIRE
 M120E1, ROCKET MOTOR, (THIOKOL), HELLFIRE
 M120E3, ROCKET MOTOR, (HERCULES)



N.E.W. 36.00 LB

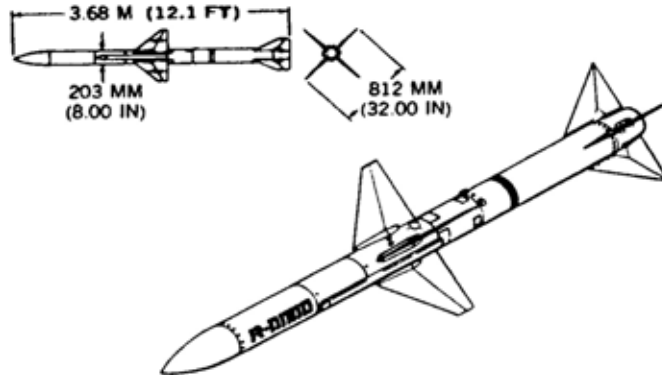


U.S. GUIDED MISSILE, AIR-TO-AIR, AIM-7E (SPARROW)

Ordnance used with:

- MK 38 MODS 0, 1, 2, 3, 4 ROCKET MOTOR
- MK 52 MODS 1, 2 ROCKET MOTOR
- MK 265 MOD 0, IGNITER
- MK 274 MOD 0, IGNITER
- MK 4 MOD 0, EXERCISE WARHEAD, (SPARROW)
- MK 33 MOD 0, S&A DEVICE, (SPARROW)
- MK 35 MOD 0, S&A DEVICE, (SPARROW)

N.E.W. 118.50 LB



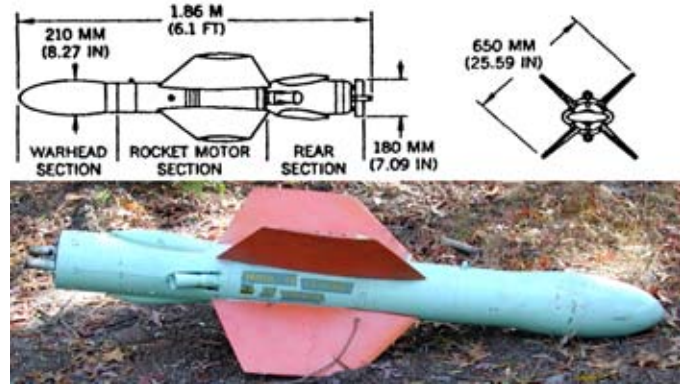
U.S. GUIDED MISSILE, AIR-TO-AIR, AIM-7E-3 (SPARROW)

Ordnance used with:

- MK 265 MOD 0, IGNITER
- MK 274 MOD 0, IGNITER
- MK 35 MOD 0, S&A DEVICE, (SPARROW)
- MK 274 MOD 1, IGNITER
- MK 73 MOD 1, ELECTRONIC FIRING SWITCH
- MK 73 MOD 2, ELECTRONIC FIRING SWITCH
- MK 38 MOD 0, BOOSTER

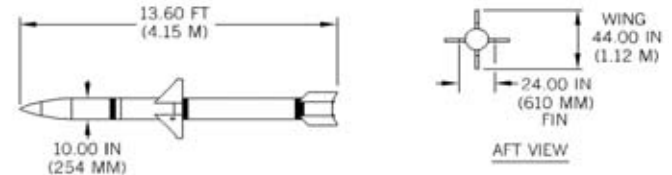
N.E.W. 118.50 LB

FRENCH GUIDED MISSILE, AS/SS-12

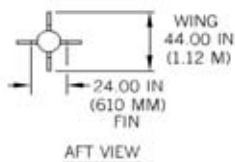
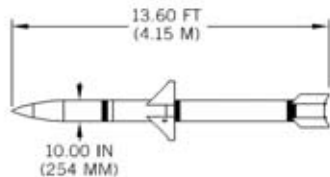


U.S. GUIDED MISSILE, AIR-TO-SURFACE: AGM-88A (HARM)

Ordnance used with:
MK 44 MOD 1, FUZE BOOSTER
WDU-21/B, WARHEAD, MISSILE, (HARM)
WDU-37/B, WARHEAD, MISSILE, HE-FRAG, (HARM)
FMU-111/B, MISSILE FUZE, (HARM)
LAU-118(V)1/A, GUIDED MISSILE LAUNCHER, AIRCRAFT



N.E.W. 328.00 LB



U.S. GUIDED MISSILE, AIR-TO-SURFACE: AGM-88B (HARM)

Ordnance used with:
 MK 44 MOD 1, FUZE BOOSTER
 WDU-21/B, WARHEAD, MISSILE, (HARM)
 WDU-37/B, WARHEAD, MISSILE, HE-FRAG, (HARM)
 FMU-111/B, MISSILE FUZE, (HARM)
 LAU-118(V)1/A, GUIDED MISSILE LAUNCHER, AIRCRAFT

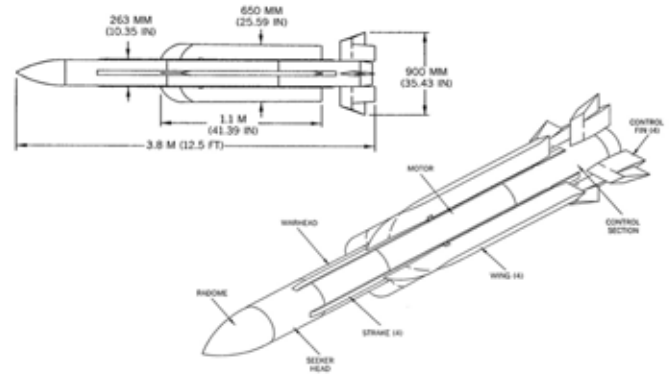


N.E.W. 328.00 LB

FRENCH GUIDED MISSILE, AIR-TO-AIR, MATRA R.530



FRENCH GUIDED MISSILE, AIR-TO-AIR, SUPER 530D



U.S.S.R. GUIDED MISSILE, AIR-TO-SURFACE, AS-12A MODS 1 (KEGLER)





**U.S.S.R. GUIDED MISSILE, AIR-TO-SURFACE, AS-12B
(KEGLER)**



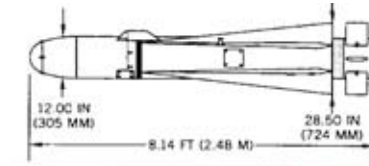
**U.S.S.R. GUIDED MISSILE, AIR-TO-SURFACE, AS-12C
(KEGLER)**

U.S. GUIDED MISSILES, AIR-TO-SURFACE, AGM-65B, AND TRAINING, TGM-65B (MAVERICK)

Ordnance used with:

LAU-88/A, LAUNCHER, MISSILE (MAVERICK)
LAU-88A/A, LAUNCHER, MISSILE (MAVERICK)
LAU-117/A, MISSILE LAUNCHER, AIRCRAFT
WDU-20/B, WARHEAD, SHAPED-CHARGE
FSU-5/B, SAFE AND ARM FUZE, (SAF)

N.E.W. 115.50 LB

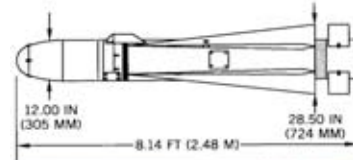


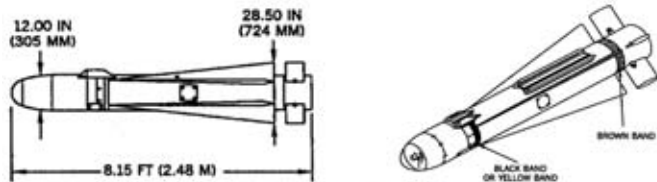
U.S. GUIDED MISSILES, AIR-TO-SURFACE, AGM-65D, AND TRAINING, TGM-65D (MAVERICK)

Ordnance used with:

LAU-88/A, LAUNCHER, MISSILE (MAVERICK)
LAU-88A/A, LAUNCHER, MISSILE (MAVERICK)
LAU-117/A, MISSILE LAUNCHER, AIRCRAFT
WDU-20/B, WARHEAD, SHAPED-CHARGE
FSU-5/B, SAFE AND ARM FUZE, (SAF)
ROCKET MOTOR, AGM-65D

N.E.W. 148.80 LB

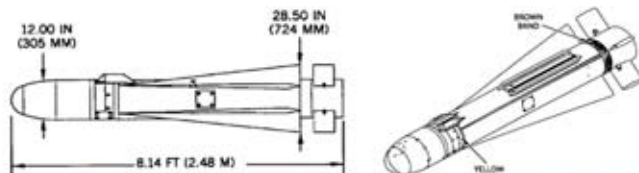




U.S. GUIDED MISSILES, AIR-TO-SURFACE, AGM-65E & TRAINER, A/A37A-T9 (MAVERICK)

Ordnance used with:
 LAU-88/A, LAUNCHER, MISSILE (MAVERICK)
 LAU-88A/A, LAUNCHER, MISSILE (MAVERICK)
 LAU-117/A, MISSILE LAUNCHER, AIRCRAFT
 WDU-24/B, WARHEAD, PENETRATOR, AGM-65G
 FMU-135/B, ELECTROMECHANICAL, GUIDED MISSILE, AGM-65G
 ROCKET MOTOR, AGM-65E

N.E.W. 148.80 LB



U.S. GUIDED MISSILES, AIR-TO-SURFACE, AGM-65F, & TRAINING, TGM-65F (MAVERICK)

Ordnance used with:
 LAU-88/A, LAUNCHER, MISSILE (MAVERICK)
 LAU-88A/A, LAUNCHER, MISSILE (MAVERICK)
 LAU-117/A, MISSILE LAUNCHER, AIRCRAFT
 WDU-24/B, WARHEAD, PENETRATOR, AGM-65G
 FMU-135/B, ELECTROMECHANICAL, GUIDED MISSILE, AGM-65G
 ROCKET MOTOR, AGM-65F

N.E.W. 148.60 LB

U.S. GUIDED MISSILES, AIR-TO-SURFACE, AGM-65G, & TRAINING, TGM-65G (MAVERICK)

Ordnance used with:

LAU-88/A, LAUNCHER, MISSILE (MAVERICK)

LAU-88A/A, LAUNCHER, MISSILE (MAVERICK)

LAU-117/A, MISSILE LAUNCHER, AIRCRAFT

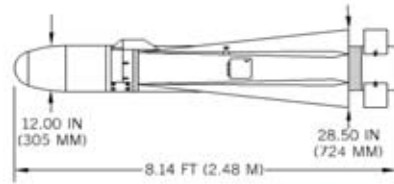
WDU-24/B, WARHEAD, PENETRATOR, AGM-65G

FMU-135/B, ELECTROMECHANICAL, GUIDED MISSILE, AGM-65G

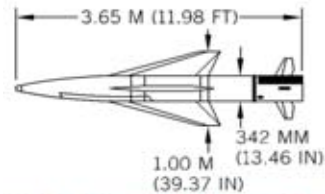
SR114, MOTOR, S114, AGM-65G

ROCKET MOTOR, AGM-65G

N.E.W. 148.60 LB

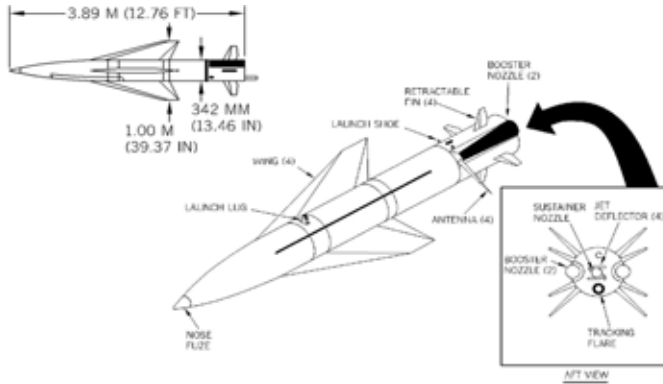


FRENCH GUIDED MISSILE, AIR-TO-SURFACE, AS.30L



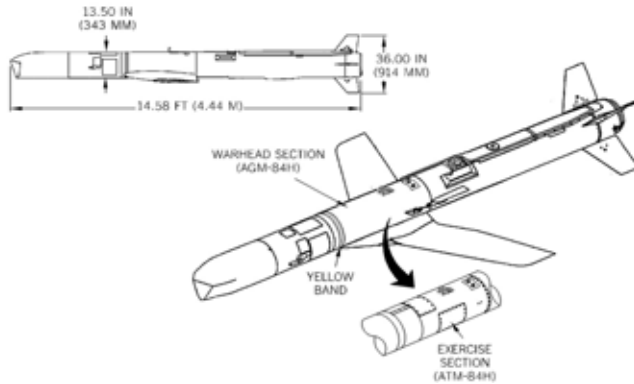
AFT VIEW





FRENCH GUIDED MISSILE, AIR-TO-SURFACE, MODEL AS.30

Ordnance used with:
 JAGUAR B
 JAGUAR S



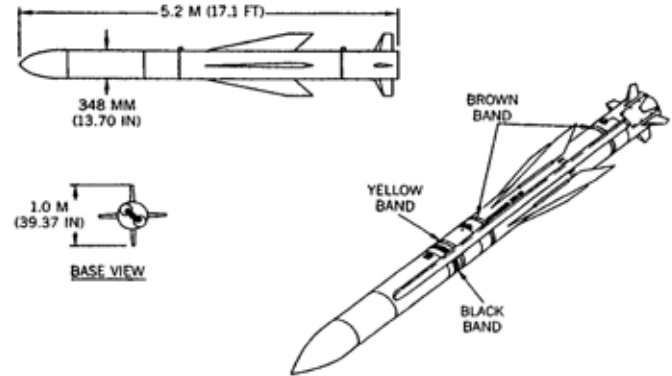
U.S. GUIDED MISSILES, AIR-TO-SURFACE: AGM-84H, AND TRAINING, ATM-84H (SLAM-ER)

Ordnance used with:
 FZU-47/B, AIR PRESSURE PROBE, GUIDED MISSILE
 FMU-155/B, FUZE
 BBU-60/B, BOOSTER
 WAU-30C (V2) / B, WARHEAD SECTION
 WDU-40 / B, WARHEAD
 J402, SUSTAINER MOTOR, TURBOFAN

N.E.W. 350.00 LB

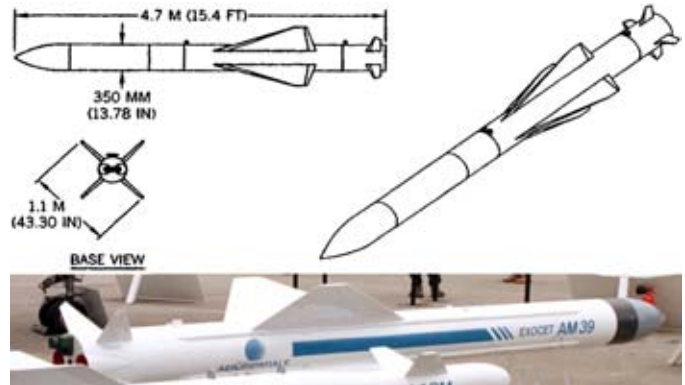
FRENCH GUIDED MISSILE, SURFACE-TO-SURFACE, MM-38 (EXOCET)

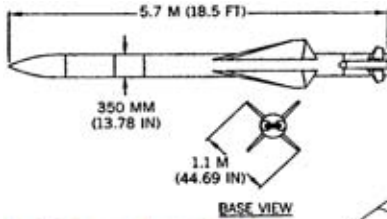
Ordnance used with:
M3, S&A DEVICE
M3A1, S&A DEVICE
WARHEAD EXOCET, UNDESIGNATED
ROCKET MOTOR EXOCET UNDESIGNATED



FRENCH GUIDED MISSILE, AIR-TO-SURFACE, AM-39 (EXOCET)

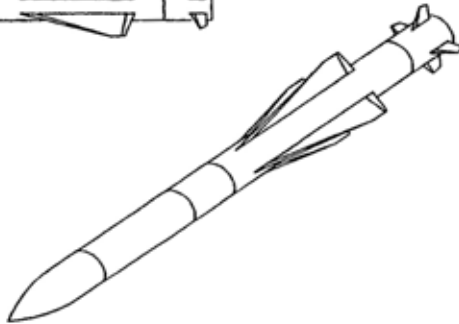
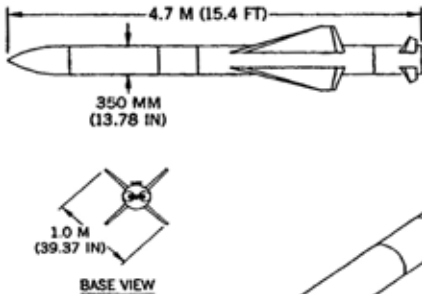
Ordnance used with:
M3, S&A DEVICE
M3A1, S&A DEVICE
WARHEAD EXOCET, UNDESIGNATED
ROCKET MOTOR EXOCET UNDESIGNATED





FRENCH GUIDED MISSILE, SURFACE-TO-SURFACE, MM-40 (EXOCET)

Ordnance used with:
M3, S&A DEVICE
M3A1, S&A DEVICE
WARHEAD EXOCET, UNDESIGNATED
ROCKET MOTOR EXOCET UNDESIGNATED



FRENCH GUIDED MISSILE, SURFACE-TO-SURFACE, SM-39 (EXOCET)

Ordnance used with:
M3, S&A DEVICE
M3A1, S&A DEVICE
WARHEAD EXOCET, UNDESIGNATED
ROCKET MOTOR EXOCET UNDESIGNATED

U.S. GUIDED MISSILE, SURFACE-TO-AIR, MIM-23A (BASIC HAWK)

Ordnance used with:

M32, S&A DEVICE, GUIDED MISSILE, SURFACE-TO-AIR (HAWK)

XM32E2, S&A DEVICE, GUIDED MISSILE, SURF-TO-AIR (HAWK)

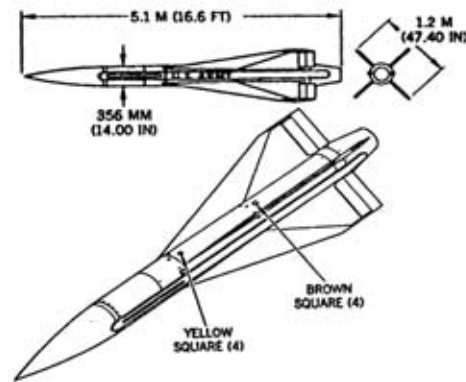
M5 SERIES, WARHEAD, MISSILE, (BASIC HAWK)

M9 SERIES, WARHEAD, EXERCISE, (BASIC HAWK)

M10 SERIES, WARHEAD, INERT, (BASIC HAWK)

M22 SERIES, MISSILE ROCKET MOTOR, (BASIC HAWK)

N.E.W. 705.00 LB



U.S.S.R. GUIDED MISSILE, AIR-TO-SURFACE, AS-14A (KEDGE)

Ordnance used with:

SU-24 (FENCER)





U.S.S.R. GUIDED MISSILE, AIR-TO-SURFACE, AS-14B (KEDGE)

Ordnance used with:
SU-24 (FENCER)



ITALIAN GUIDED MISSILE, METEOR MIRACH 100 RECONNAISSANCE VERSION

Ordnance used with:
RECOVERY SYSTEM, METEOR MIRACH 100
TRS 18-076, POWER PLANT METEOR MIRACH 100
BOOSTER (JATO) METEOR MIRACH 100 RECCE



**FRENCH GUIDED MISSILE, AIR-TO-SURFACE, EM
BAZ-AR; ARMAT**

Ordnance used with:
GUIDANCE SECTION ARMAT UNDESIGNATED
ROCKET MOTOR ARMAT
WARHEAD ARMAT UNDESIGNATED



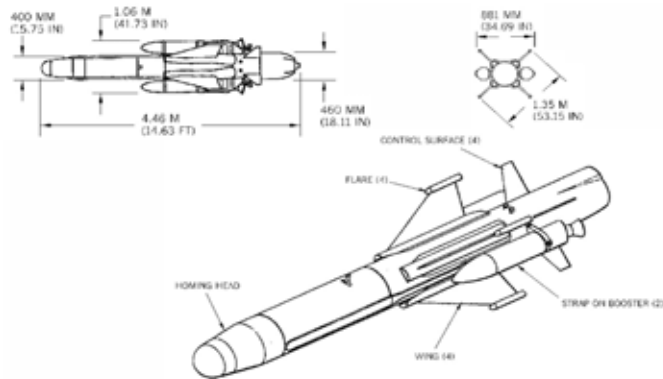
**U.S.S.R. GUIDED MISSILE, AIR-TO-SURFACE, AS-9
(KYLE)**





U.S.S.R. GUIDED MISSILES, AIR-TO-SURFACE, AS-7A AND AS -7B (KERRY)

Ordnance used with:
MIG-21P, 'FISHBED D'
MIG-21PFM, 'FISHBED F'
MIG-21R, 'FISHBED H'
MIG-21MF, 'FISHBED J'
MIG-21SMT, 'FISHBED K'
APU-68U, LAUNCHER, MISSILE, AIR-TO-SURFACE



FRENCH/ITALIAN GUIDED MISSILES, SURFACE-TO-SURFACE, MK 1 AND MK 2 (TESEO), AND MK 2 (ERATO) (OTOMAT SERIES)

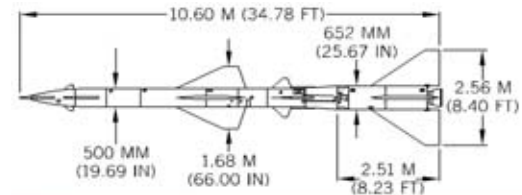
U.S. GUIDED MISSILE (GUIDED DISPENSER), AIR-TO-SURFACE, AGM-154A (JSOW)

Ordnance used with:
BLU-97B/B, HEAT
FSU-24/B, ELECTRONIC SAFE AND ARM DEVICE (SAD)
EUROFIGHTER, TYPHOON
DISPENSER PAYLOAD, AGM-154A, (UNKNOWN DESIGNATION)

N.E.W. 92.60 LB



U.S.S.R. GUIDED MISSILE, SURFACE-TO-AIR, SA-2B, SA-2C, SA-2F (GUIDELINE)



N.E.W. 774.00 KG



**U.S.S.R. GUIDED MISSILE, SURFACE-TO-AIR, SA-2D
(GUIDELINE)**

N.E.W. 851.00 KG



**U.S.S.R. GUIDED MISSILE, SURFACE-TO-AIR, SA-2E
(GUIDELINE)**

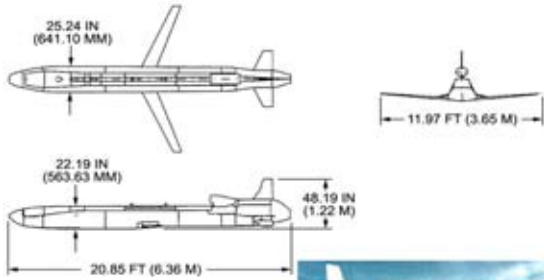
**U.S.S.R. GUIDED MISSILE, SURFACE-TO-AIR,
SA-3/SA-N-1 (GOA) SERIES**



U.K. GUIDED MISSILE, STORM SHADOW

Ordnance used with:
BROACH, WARHEAD
FSU-26/B, MAFIS FUZE, AGM-154C, JSOW/STORM SHADOW
EUROFIGHTER, TYPHOON





U.S. GUIDED MISSILE, AIR-TO-SURFACE, AGM-86D (CALCM)

Ordnance used with:

A/A48K-1(V)2 CMN STRATEGIC ROTARY LAUNCHER, AIRCRAFT

FMU-159A/B, BOMB, TAIL, HTSF

FMU-159/B, BOMB, TAIL, HTSF

AUP-3 (M), WARHEAD, 1,200 LB, HE-PENETRATION

MAU-191/A, ARMING DEVICE

UNDESIGNATED, FORWARD SECTION, F/ AGM-86D

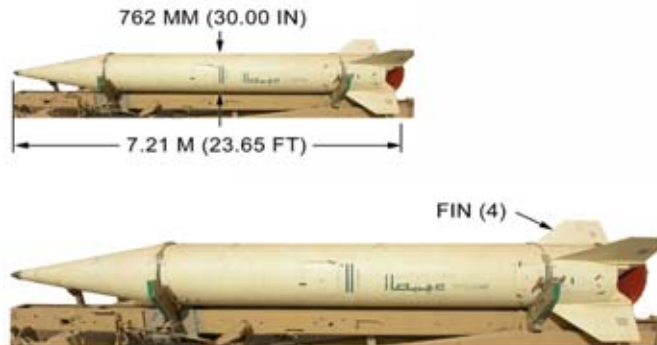
SWU-58/A, ROTARY SWITCH

N.E.W. 47.50 KG



CHINESE GUIDED MISSILE, SURFACE-TO-SURFACE, CSSC-3C (HY-2B) (SEERSUCKER)

**IRAQI GUIDED MISSILE, SURFACE-TO-SURFACE,
MODEL UNKNOWN**

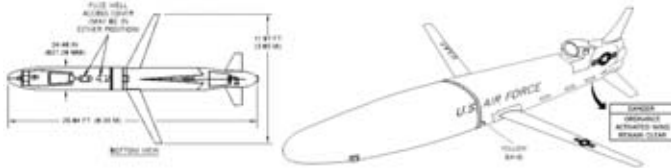


U.S.S.R. GUIDED MISSILE, SS-N-2A (STYX)





U.S.S.R. GUIDED MISSILE, SS-N-2B (STYX)



U.S. GUIDED MISSILE, AIR-TO-SURFACE, CALCM, AGM-86C



Ordnance used with:
 FMU-139A/B, NOSE & TAIL, IMPACT
 A/A48K-1(V)2 CMN STRATEGIC ROTARY LAUNCHER, AIRCRAFT
 MAU-191/A, ARMING DEVICE
 SWU-58/A, ROTARY SWITCH
 UNDESIGNATED, AFT SECTION, AGM-86 SERIES
 F107-WR-101, CALCM ENGINE
 FMU-137/A, IMPACT, GUIDED MISSILE (AGM-86C)
 N.E.W. 797.00 LB

