

## **BELGIAN PROJECTILE FUZE, BD, NR 2 490**

Ordnance used with:  
NR 503, 90-MM, HESH  
NR 445, 90-MM, HESH  
NR 503 A3, 90MM, CARTRIDGE, HEP-T  
NR 503, 90-MM, CARTRIDGE, HESH  
NR 445, 90-MM, CARTRIDGE, HESH  
NR 503 A3, 90MM, HEP-T  
NR503 A3, 90MM, HEP-T



---

## **CHINESE PROJECTILE FUZE, MORTAR, PD, MP2A**





### **CZECHOSLOVAKIAN PROJECTILE FUZE, PIBD, NZ-42**

Ordnance used with:  
JPRSV, CARTRIDGE, 100-MM, HEAT  
PRSV, 100-MM, HEAT

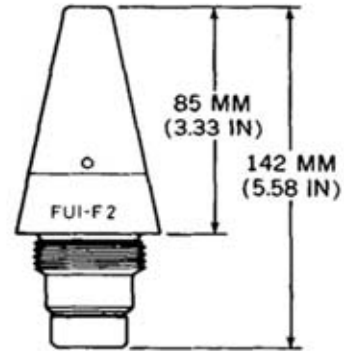


### **EGYPTIAN GRENADE FUZE, STRIKER-RELEASE, MODEL UNKNOWN**

Ordnance used with:  
KAHA NO.1, HAND, HE, FRAG  
NO.1, HAND, HE, FRAG  
TYPE 270/2, HAND, HE, FRAG

## FRENCH PROJECTILE FUZE, PD, FUI-F2

Ordnance used with:  
0E90F1, CARTRIDGE, 90-MM, HE  
90K MF-1, 90MM, WP  
MF-1, 90MM, WP  
OFUM PH90-F1, 90MM, WP  
OE 90 F1, 90-MM, HE-T  
OFUM-90-F2, 90MM, SMOKE, WP  
MF 1 HT, 90K



---

## ITALIAN ROCKET FUZE, PD, PDB 122

Ordnance used with:  
FIROS-25, 122-MM, HE  
FIROS-25, 122-MM, HE - FRAG



N.E.W. 3.33 G

---



**MODEL UNKNOWN, FIRING DEVICE, IMPROVED,  
RADIO CONTROLLED, WOKEE**

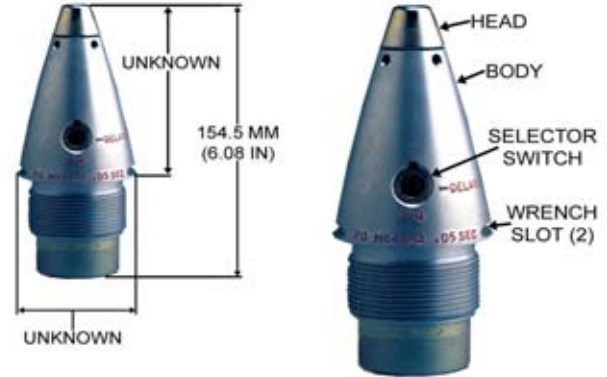


**NORTH KOREAN ROCKET FUZE, BDS, NRT-7B**

Ordnance used with:  
F7, 85 MM, HE-FRAG

## SOUTH AFRICAN PROJECTILE FUZE, PDSQ, M841A3

Ordnance used with:  
M1A2, 155-MM, HE, ERFB BB  
M1A1, 155-MM, PRACTICE, ERFB  
M1A2, 155-MM, ERFB, PRACTICE  
M1A4, 155-MM, HE, ERFB



## U.K. GRENADE FUZE, STRIKER-RELEASE, MODEL UNKNOWN

Ordnance used with:  
L84A1, HAND, SMOKE, RP

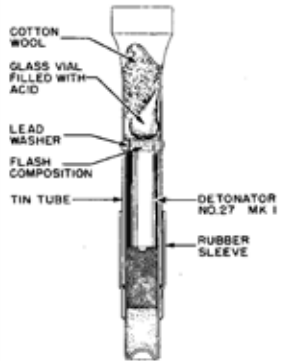


N.E.W. 3.00 G



## U.K. GRENADE FUZE, STRIKER-RELEASE, NO. 2 MK 1/1

Ordnance used with:  
NO 80 MK 1, HAND, SMOKE, WP  
NO. 75 MK 2, DETONATOR  
NO. 75 MK II, DETONATOR

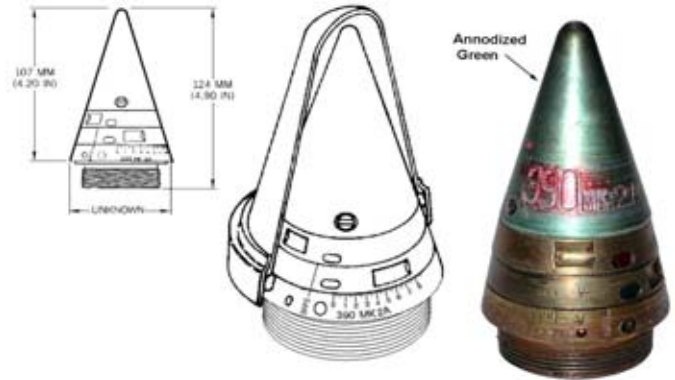


## U.K. NO. 75 MK 2, DETONATOR

Ordnance used with:  
NO. 2 MK 1/1, GRENADE, STRIKER-RELEASE

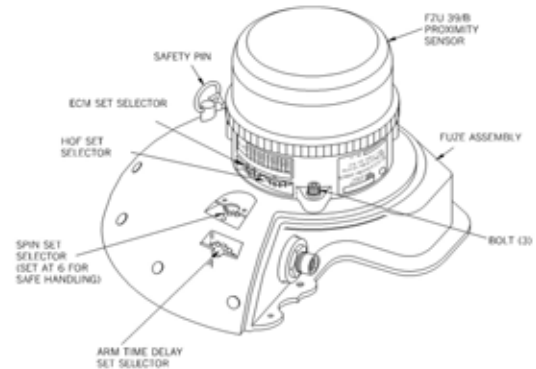
## U.K. PROJECTILE FUZE, PTT, NO. 390 MK 2A

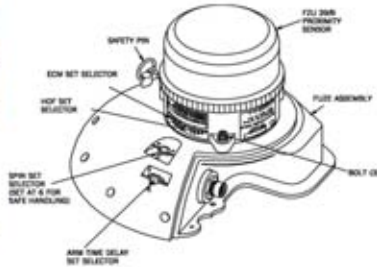
Ordnance used with:  
L32, CARTRIDGE, 76 MM, SMOKE  
SX-1057  
MK 4, 3-INCH, SMOKE, MORTAR



## U.S. DISPENSER FUZE, UNDESIGNATED, MT

Ordnance used with:  
SUU-64/B, DISPENSER  
SUU-65/B, DISPENSER  
SUU-66/B, DISPENSER  
CBU-87/B  
CBU-87A/B  
CBU-87B/B  
CBU-105/B (WCMD)  
N.E.W. 4.00 G





## U.S. DISPENSER, CBU, PROXIMITY SENSOR, FZU-39/B

Ordnance used with:  
SUU-64/B, DISPENSER  
SUU-65/B, DISPENSER  
SUU-66/B, DISPENSER  
CBU-87/B  
CBU-87A/B  
CBU-87B/B  
CBU-89/B

N.E.W. 5.00 G



## U.S.S.R. LANDMINE FUZE, PRESSURE, AT, MVZ-57

Ordnance used with:  
TM-57, AT

N.E.W. 2.00 G



## U.S.S.R. NAVAL MINE FUZE, TILTROD, STIKER RELEASE, VRM

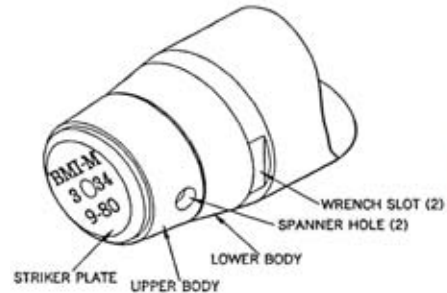
Ordnance used with:  
YARM, MOORED CONTACT, VSW



---

## U.S.S.R. PROJECTILE FUZE, PDSD, VMG-M

Ordnance used with:  
VOG-26, 30-MM, CARTRIDGE, FRAG  
VOG-25, 40MM, FRAG  
7P9M, CARTRIDGE, 30MM, FRAG  
VOG-17M, CARTRIDGE, 30MM, FRAG  
VOG-26, 30-MM, FRAGMENTATION  
7P9M, 30-MM, FRAGMENTATION



N.E.W. 1.00 G



### **U.S.S.R. PROJECTILE FUZE, PIBD, VP-9 (BASE DETONATING ELEMENT)**

Ordnance used with:  
PG-9S, 73-MM, HEAT-T  
PG-9, 73-MM, HEAT-T



### **U.S.S.R. ROCKET FUZE, PI, 9-K2-608 (V-5KP1)**

Ordnance used with:  
S-8KO, 80-MM, HEAT/FRAG, AIR-TO-SURFACE  
V-5KP1, ROCKET, PIBD, AIR-TO-SURFACE

## YUGOSLAV GRENADE FUZE, PD, UT, M70P1

Ordnance used with:

TTM, M60P1, 30MM, RIFLE, HE

M83, 63MM, RIFLE, RIOT-CONTROL, BURSTING, CS



N.E.W. 6.00 G

## YUGOSLAV PROJECTILE FUZE, PDSD, UTM57-SM

Ordnance used with:

M57, 20-MM, CARTRIDGE, HE-T

M57, 20-MM, CARTRIDGE, HE

M57, 20-MM, CARTRIDGE, HEI (20MM X 110MM)

TZ, M57, 20-MM

M57, 20 MM, HEI-T

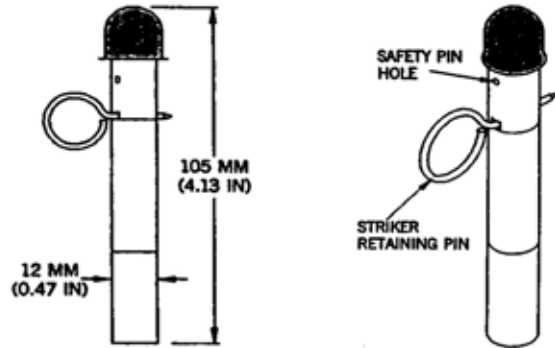
TZO, M57

M62, 20-MM, CARTRIDGE, HEI T

N.E.W. 2.50 G

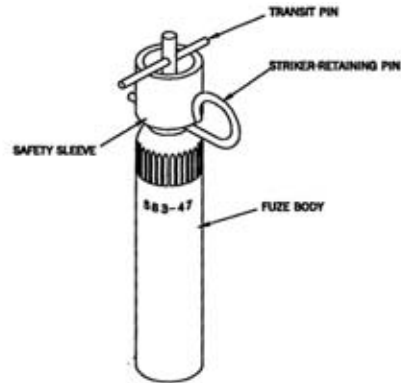


## IRAQI FUZE, MINE, MODEL UNKNOWN



Ordnance used with:  
POMZ-2, APERS, STAKE  
POMZ-2M, APERS, STAKE

## U.S.S.R. LANDMINE FUZE, PULL, MUV



Ordnance used with:  
UNKNOWN, APERS, CYLINDRICAL  
MON-100, APERS, DIRECTIONAL  
MON-200, APERS, DIRECTIONAL  
MON-50, APERS, CLAYMORE  
MON-90, APERS, CLAYMORE

## U.K. GRENADE FUZE, PD, NO. 426 MK 1

Ordnance used with:  
MK IV, 89-MM, HEAT, SPIGOT (PIAT)  
PROJECTOR, INFANTRY, ANTI-TANK (PIAT)



## U.S.S.R. BOMB FUZE, DELAY ARMING MECHANISM, AK-4





### **U.S.S.R. BOMB, FUZE ARMING DELAY MECHANISM, MDV-2**

Ordnance used with:  
UNKNOWN, 100KG, HIGH-DRAG  
AM-A, BOMB, NOSE  
AM A B/V, BOMB, NOSE  
AM B, BOMB, NOSE

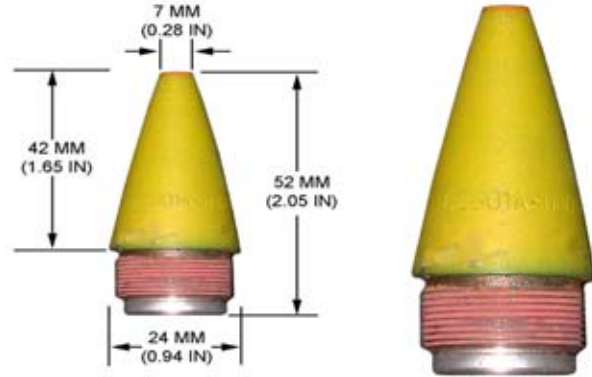


### **U.S.S.R., BULGARIAN, AND POLISH GRENADE FUZE, STRIKER-RELEASE, UZRGM**

Ordnance used with:  
F-1, HAND, FRAG  
TIP F-1, HAND, FRAG  
RG-42, HAND, FRAG  
RGD-5, HAND, FRAG  
RGO-78, HAND, FRAG  
RGZ-89, HAND, BLAST  
RGD-78, HAND, FRAG

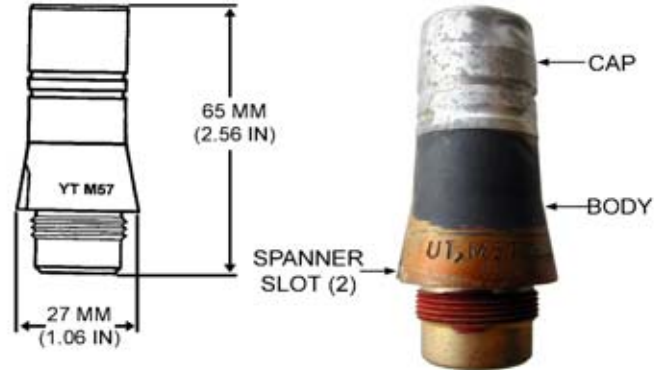
## YUGOSLAV PROJECTILE FUZE, PDSD, UT M69 SM

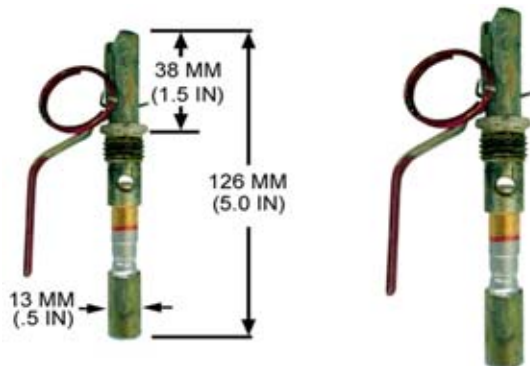
Ordnance used with:  
M69, 30-MM, HE-T  
M69, 30-MM, HE-T, CARTRIDGE  
UNKNOWN, 30-MM, HE  
UNKNOWN, CARTRIDGE, 30-MM, HE



## YUGOSLAV PROJECTILE FUZE, PD, UT M57

Ordnance used with:  
M57, 60-MM, HE, MORTAR

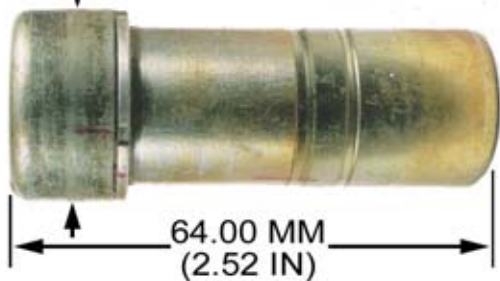




### U.S.S.R. GRENADE FUZE, STRIKER-RELEASE, PRACTICE, MODEL UNKNOWN

Ordnance used with:  
RGO-78IM, HAND, PRACTICE  
URG-N, HAND, PRACTICE  
URG, HAND, PRACTICE

29.00 MM  
(1.14 IN)



### U.S.S.R. GRENADE FUZE, PROJECTED, BDSD, DK4

Ordnance used with:  
PG-2, 80MM, HEAT  
TYPE 56, 80MM, HEAT



## U.S.S.R. PROJECTILE FUZE, BD, MD-7

Ordnance used with:

BR-350, 76-MM, APHE-T

BR-350A, 76-MM, APHE-T

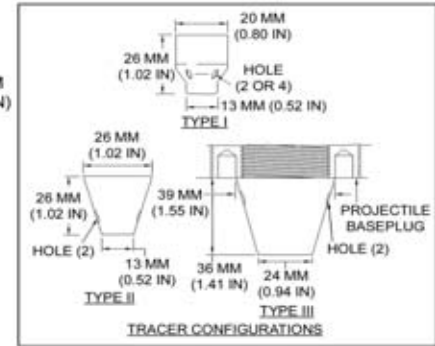
BR-350B, 76-MM, APHE-T

BR-540, 152-MM, APHE-T

BZR-271, 57-MM, APHEI-T

BZR-350B, 76-MM, APHEI-T

UB-243, CARTRIDGE, 45-MM, APHE

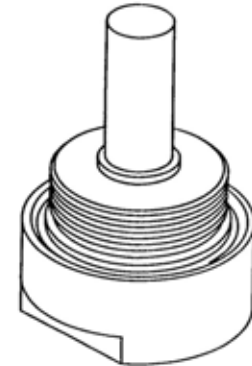
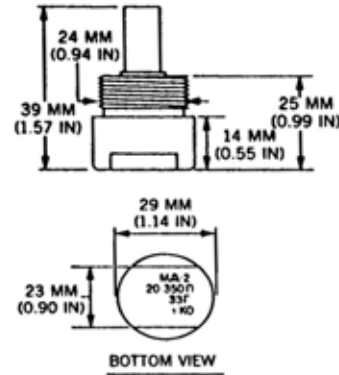


## U.S.S.R. PROJECTILE FUZES, BD, MD-1, MD-2, MD-3, & MD-4

Ordnance used with:

B-240, 45-MM, APHE

BZR-240, 45-MM, APHE-T





VANES  
REMOVED



### CHINESE BOMB FUZE, NOSE, HANG YIN 3

Ordnance used with:  
TYPE 1, BOMB, 5 KG, FRAG

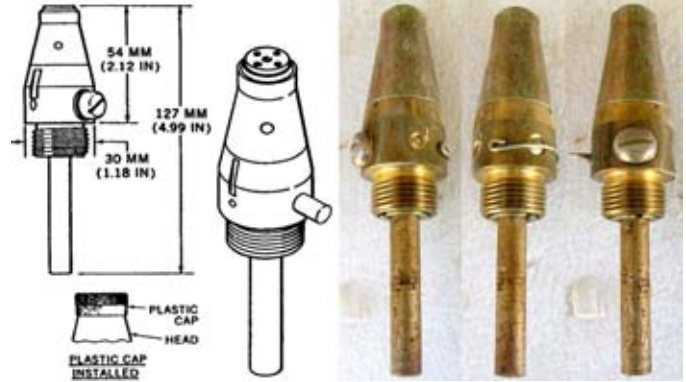


### CHINESE PROJECTILE FUZE, PDSD, ML-1

Ordnance used with:  
TYPE 55, 37 MM, HE-T  
TYPE 55, 37MM X 253RMM, CARTRIDGE, HE-T  
TYPE 55, CARTRIDGE, 37MM X 253R, HE

## FINNISH PROJECTILE FUZE, PD, SP-52

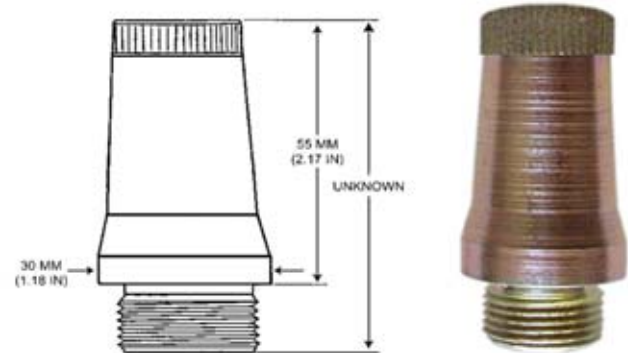
Ordnance used with:  
TAMPELLA, 160-MM, HE  
UNKNOWN, MORTAR, 60-MM, HE

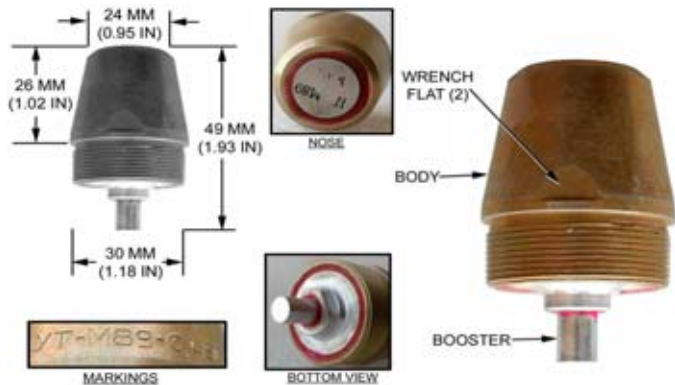


N.E.W. 8.00 G

## YUGOSLAV PROJECTILE FUZE, PD, PRACTICE, MODEL UNKNOWN

Ordnance used with:  
M62, 82-MM, MORTAR, PRACTICE  
VTTM M66, 30MM, RIFLE, PRACTICE  
M62, 60-MM, PRACTICE, MORTAR  
M62, 24.4-MM, TRAINING, SUBCALIBER





**YUGOSLAV PROJECTILE FUZE, PD, UT-M89**

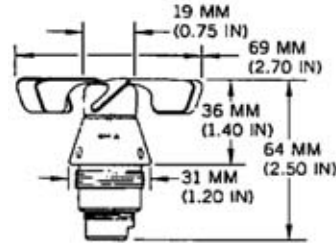


**YUGOSLAV PROJECTILE FUZE, PDSD, UT M72 SP**

Ordnance used with:  
 M39, 37-MM, HE-T  
 M39, 37-MM, CARTRIDGE, HE-T

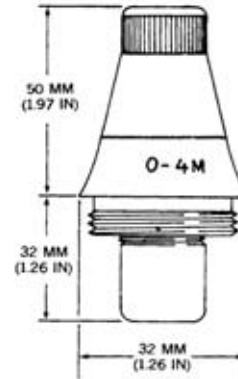
## U.S.S.R. BOMB FUZE, NOSE, AM-A

Ordnance used with:  
OFAB 100NV, BOMB, FRAG, 100 KG  
AO 1 SCH, BOMB, HE  
AO-1SCH  
AOKH-10, BOMB, FRAGMENTATION/CHEMICAL  
AOKH-8, BOMB, FRAGMENTATION/CHEMICAL  
KHAB-100, BOMB, CHEMICAL  
P 50 75, BOMB, PRACTICE  
N.E.W. 7.00 G



## BULGARIAN PROJECTILE FUZE, PD, MODEL O-4M

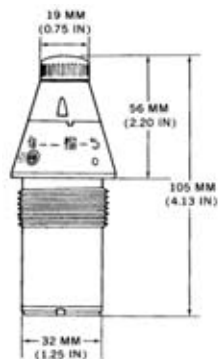
Ordnance used with:  
OG-7V, 40MM, CARTRIDGE, FRAG  
OG-7V, 40MM, HE  
OG-9, 73-MM, HE-FRAG  
OG-9BG, 73MM, HERA  
OG-9G  
OG-9M, PROJECTILE, 73MM, FRAGMENTATION  
OG-9B, 73MM, HE-FRAG





**CHINESE GRENADE FUZE, STRIKER-RELEASE, 86P**

Ordnance used with:  
77-1-S, HAND, FRAG  
86P, HAND, FRAG



**CHINESE PROJECTILE FUZE, PD, TYPE 3**

## U.S. PROJECTILE FUZE, PD, M46

Ordnance used with:

2.95 INCH, CAST IRON SHELL, 12.5 LB

2.95 INCH, CAST IRON SHELL, 18 LB

2.95 INCH, SHRAPNEL

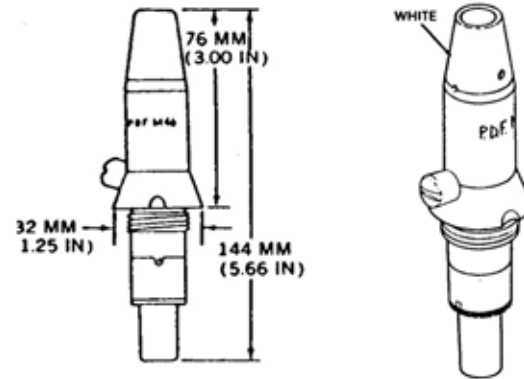
MK 2, PROJECTILE, CHEMICAL, 155-MM

MK II, PROJECTILE, CHEMICAL, 155-MM

MK 1, PROJECTILE, 2.95 INCH, HE

MK 1, PROJECTILE, 75 MM, HE

N.E.W. 3.00 G



## U.S.S.R. PROJECTILE FUZE, BD, MD-10

Ordnance used with:

BR-471B, 122-MM, APHE-T

UBR-271, CARTRIDGE, 57-MM, APHE-T

UBR-271K, 57-MM, CARTRIDGE, APHE-T

UBR-281, 57-MM, CARTRIDGE, APHE-T (57MM X 348MM)

UBR-281U, 57-MM, CARTRIDGE, APHE-T (57MM X 348MM)

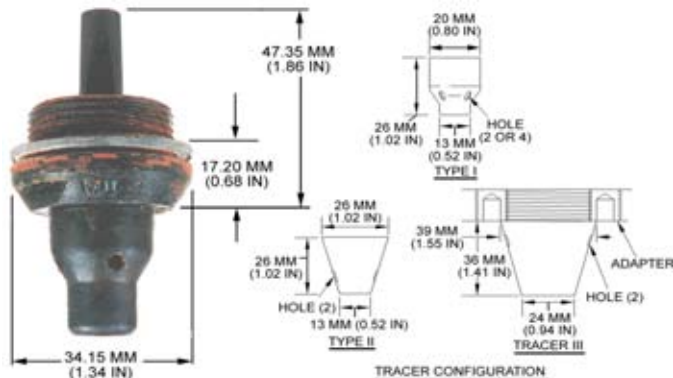
UBR-365, CARTRIDGE, 85-MM, APHE-T

UBR-365K, 85-MM, CARTRIDGE, APHE-T





**UNKNOWN COUNTRY BOMB FUZE, NOSE, IMPACT, AH-12A**



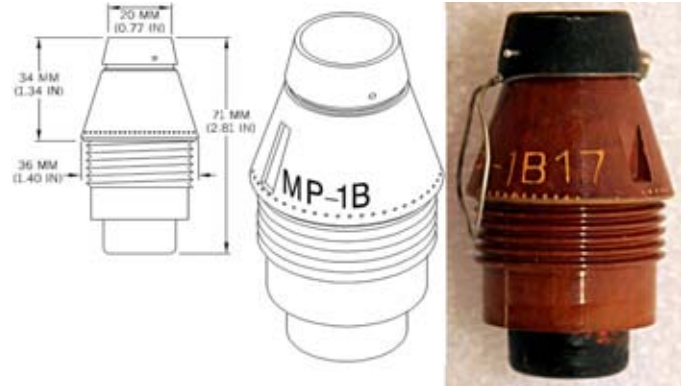
**U.S.S.R. PROJECTILE FUZE, BD, MD-8**

Ordnance used with:  
 TYPE 367, 85-MM, CARTRIDGE, APHE-T  
 UBR-367, 85-MM, CARTRIDGE, APHE-T  
 BR-367, 85-MM, APHE-T  
 TYPE 367, 85-MM, APHE-T  
 TYPE 376, 85-MM, APHE-T  
 BR-350, 76-MM, APHE-T  
 BR-350A, 76-MM, APHE-T



## CHINESE PROJECTILE FUZE, PD, MP-1B

Ordnance used with:  
TYPE 60-1, 60-MM, SMOKE WP  
TYPE 60-2, 60-MM, HE, MORTAR  
TH521, 82-MM, HE  
TYPE 53, 82-MM, HE  
TYPE 53, 82 MM, SMOKE, WP  
TYPE 63, 60 MM, HE  
UNKNOWN, 81 MM, MORTAR, HE, VARIANT  
N.E.W. 9.00 G

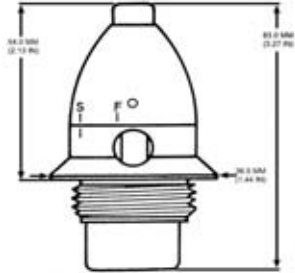


## CHINESE PROJECTILE FUZE, PD, MP1A

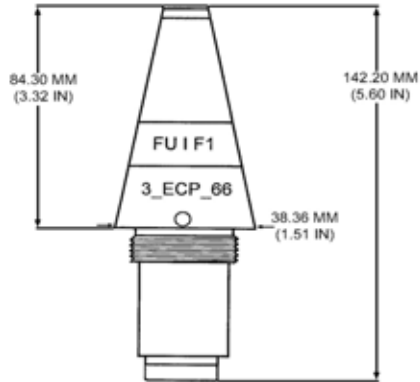
Ordnance used with:  
TYPE 60-1, 60-MM, SMOKE WP  
TYPE 60-2, 60-MM, HE, MORTAR  
TH521, 82-MM, HE  
TYPE 53, 82-MM, HE  
TYPE 53, 82 MM, SMOKE, WP  
TYPE 63, 60 MM, HE  
UNKNOWN, 81 MM, MORTAR, HE, VARIANT  
N.E.W. 9.00 G



## FRENCH PROJECTILE FUZE, PD, SC 14



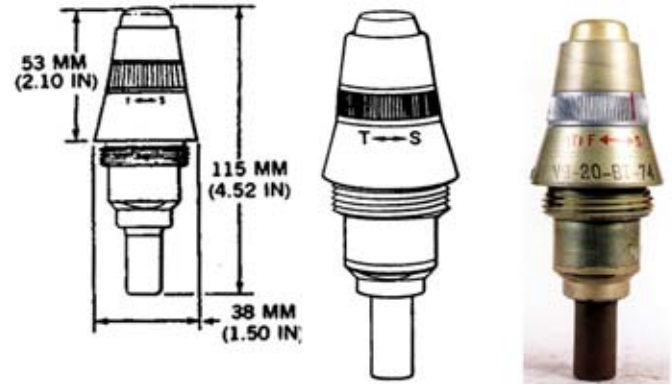
## FRENCH PROJECTILE FUZE, PD FUI F1



Ordnance used with:  
0E90F1, CARTRIDGE, 90-MM, HE  
OE 90 F1, 90-MM, HE-T  
1962, 90 MM, HE, GUN  
F1, 90 MM, HE  
M71, PROJECTILE, 90 MM, HE  
MF 1 HT, 90K  
MF 1, PROJECTILE, 90 MM, HE

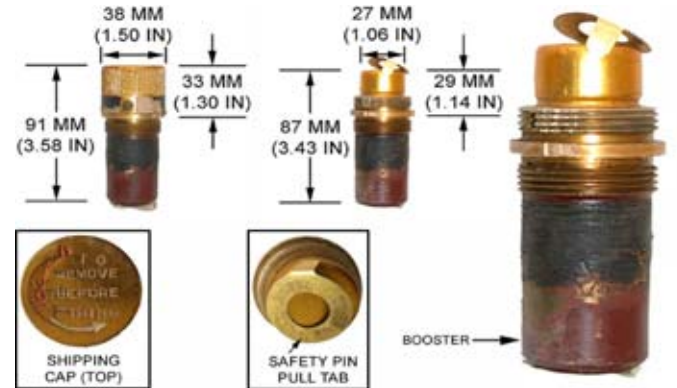
## FRENCH PROJECTILE FUZE, PD, V9

Ordnance used with:  
61MP, 60-MM, MORTAR, HE  
60LP, 60MM, HE, MORTAR, LONG RANGE  
LONG RANGE (LP), 60MM, HE, MORTAR  
LPEC, 60MM, HE, MORTAR, LONG RANGE  
MK 61, 60-MM, HE-MARKER  
ML61AT, 60-MM, MORTAR, HE  
MK 61, 60-MM, HE

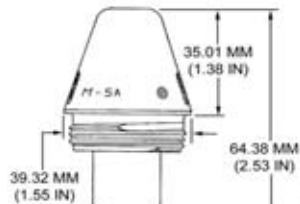


## U.K. PROJECTILE FUZE, PD, NO. 162 MK 2/1

Ordnance used with:  
MK 3, 3-INCH, HE, MORTAR  
MK III, 3-INCH, HE, MORTAR



N.E.W. 36.00 G



## BULGARIAN PROJECTILE FUZE, PD, M-5A

Ordnance used with:  
 O-832DU, 82-MM, FRAG  
 O-832D, 82-MM, MORTAR, FRAG  
 D-832, 82-MM, MORTAR, SMOKE, WP  
 D-832DU, 82-MM, MORTAR, SMOKE, WP  
 OF-843, 120-MM, MORTAR, FRAG-HE  
 OF-843A, 120-MM, MORTAR, HE-FRAG  
 O-832, 82-MM, FRAG

N.E.W. 21.10 G



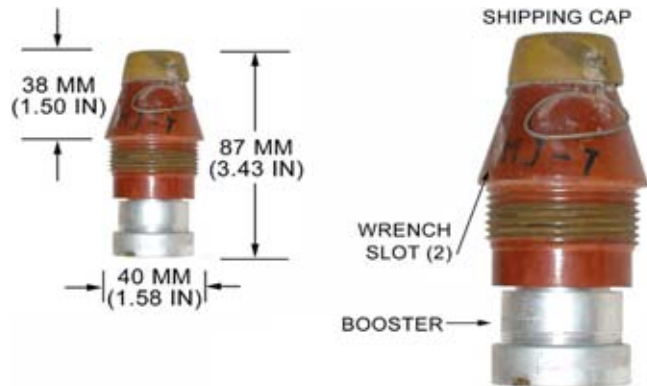
## CHINESE PROJECTILE FUZE, PD, MM-6

Ordnance used with:  
 UNKNOWN, 82 MM, MORTAR, HE  
 SAEGHEH, 40MM, HE  
 TYPE 42-832, 82MM, HE, MORTAR  
 SAEGHEH, CARTRIDGE, 40MM, HE

N.E.W. 7.97 G

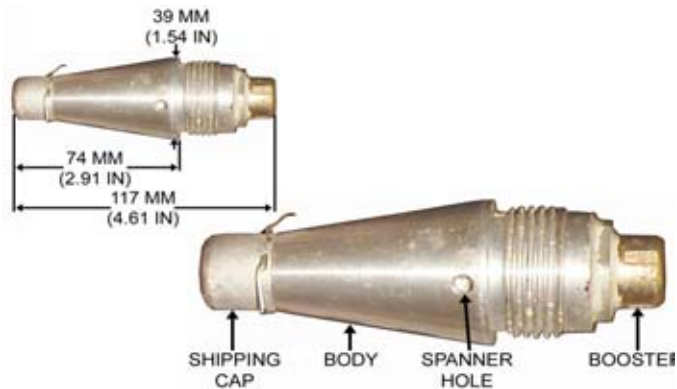
## CHINESE ROCKET FUZE, PI, MJ-7

Ordnance used with:  
DZGI-40, 75MM, APERS, BOUNDING  
TYPE 69, 75 MM, APERS, BOUNDING



## FRENCH PROJECTILE FUZE, PD, V-9 TL





## YUGOSLAV PROJECTILE FUZE, PD, UB2M

Ordnance used with:

- 346-E, 73 MM, HE (TEARDROP)
- OG-9, 73 MM, HE (TEARDROP)
- OG-9/F, 73-MM, HE (TEARDROP)
- 346-E, 73-MM, CARTRIDGE, HE (TEARDROP)
- OG-9, 73-MM, CARTRIDGE, HE (TEARDROP)
- OG-9/F, 73-MM, CARTRIDGE, HE (TEARDROP)
- OG-9/O, 73MM, CARTRIDGE, HE



## BULGARIAN PROJECTILE FUZE, PD, M-6

Ordnance used with:

- O-832DU, 82-MM, FRAG
- UO-832DU, 82-MM, CARTRIDGE, HE

N.E.W. 8.00 G

## BULGARIAN PROJECTILE FUZE, PD, RGM-2

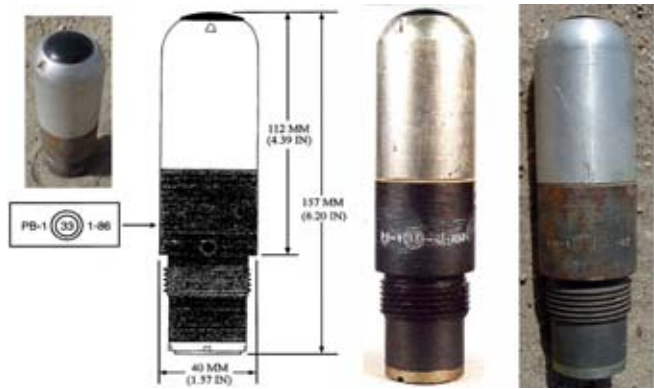
Ordnance used with:  
FE-462, 122 MM, HE, FRAG  
FE-462, 122MM, HE



## BULGARIAN PROJECTILE FUZE, PDSQ, OFZ-2M

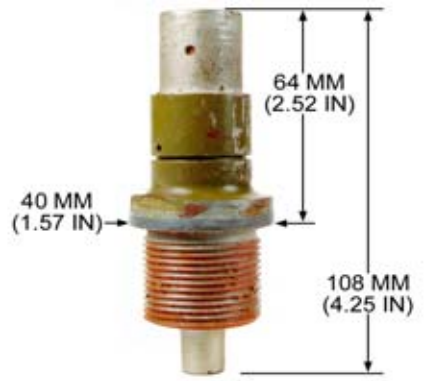
Ordnance used with:  
VOF-843B, 120-MM, HE, MORTAR





**BULGARIAN PROJECTILE FUZE, PROXIMITY, RV-1**

N.E.W. 13.27 G



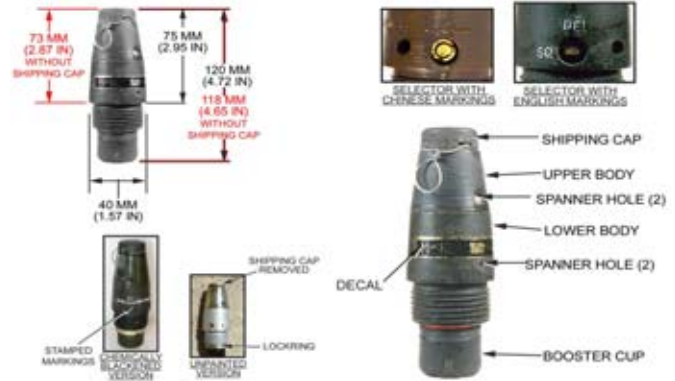
**CHINESE PROJECTILE FUZE, BD, TYPE 2**



## CHINESE PROJECTILE FUZE, PD, M-12

Ordnance used with:  
TYPE 843, 120-MM, HE  
TYPE 843B, 120 MM, HE  
TYPE 55, 120-MM, HE  
TYPE 71, 100MM, HE, MORTAR  
TYPE 55, 120MM, CARTRIDGE, HE, MORTAR

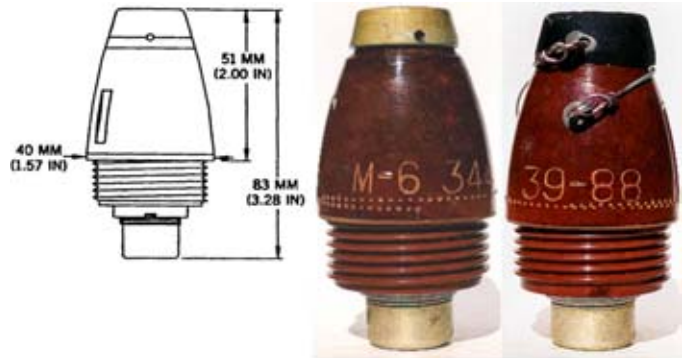
N.E.W. 30.00 G

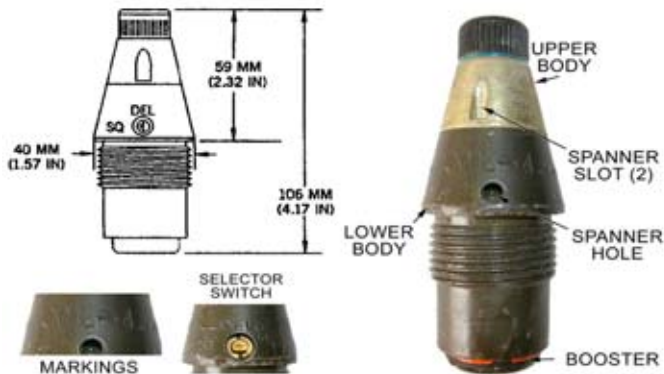


## CHINESE PROJECTILE FUZE, PD, M-6

Ordnance used with:  
TYPE 53, 82 MM, SMOKE, WP  
UNKNOWN, 75 MM, HE  
UNKNOWN, 82 MM, MORTAR, HE  
MODEL UNKNOWN, 60MM, MORTAR, HE  
OG-7, 40MM, FRAG

N.E.W. 8.00 G





## CHINESE PROJECTILE FUZE, PD, ML-4

Ordnance used with:  
 ERFB NUB, 130MM, HE  
 TYPE 54, 122-MM, HE  
 TYPE 66, 152 MM, HE

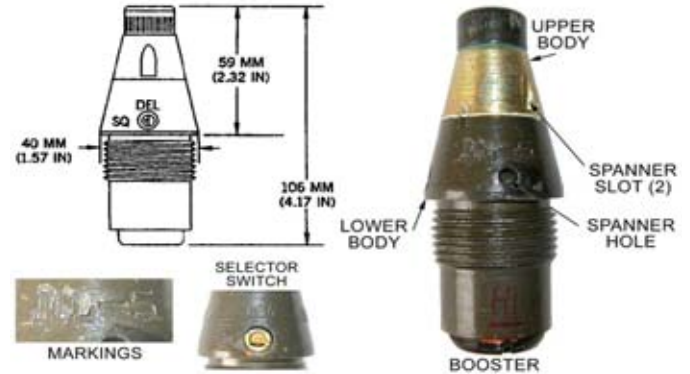


## CHINESE PROJECTILE FUZE, PD, ML-4A

Ordnance used with:  
 TYPE 54, 122-MM, HE  
 TYPE 83, 122-MM, HE-FRAG, BB  
 TYPE 83, 122-MM, HE-FRAG

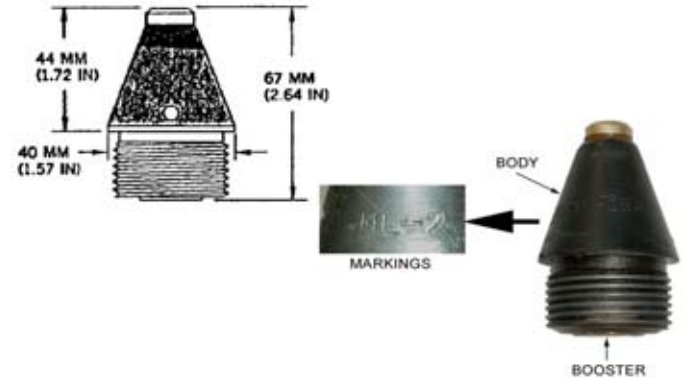
## CHINESE PROJECTILE FUZE, PD, ML-5

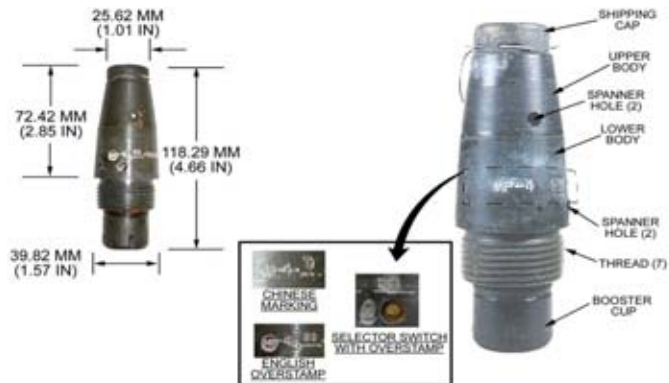
Ordnance used with:  
ERFB BB, 130MM, HE  
ERFB NUB, 130MM, HE  
TYPE 54, 122-MM, HE  
MODEL UNKNOWN, 100 MM, HE-FRAG  
MODEL UNKNOWN, 130 MM, SMOKE, WP  
TYPE 59, 130 MM, SMOKE  
TYPE 66, 152 MM, HE



## CHINESE PROJECTILE FUZE, PD, MODEL ML-2

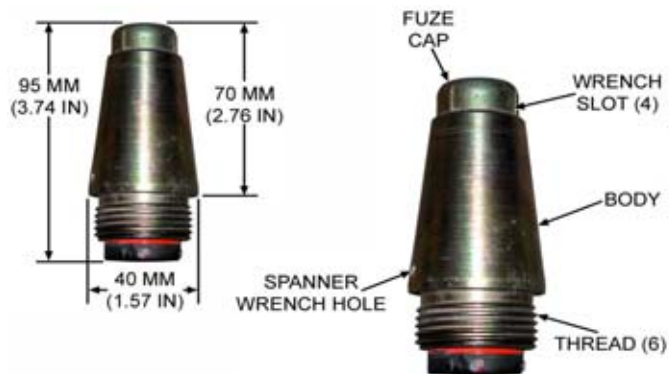
Ordnance used with:  
UNKNOWN, 57 MM, HE  
TYPE 59, 57MM, CARTRIDGE, HE  
TYPE 59, 57MM, HE  
UNKNOWN, CARTRIDGE, 57MM, HE





## CHINESE PROJECTILE FUZE, PD, MP-4

Ordnance used with:  
 F-843, 120-MM, MORTAR, HE  
 OF-843, 120-MM, MORTAR, FRAG-HE  
 OF-843A, 120-MM, MORTAR, HE-FRAG  
 3OF-843B, 120-MM, MORTAR, HE  
 OF-843B, 120-MM, MORTAR, HE  
 TYPE 55, 120-MM, HE  
 TYPE 71, 100MM, HE, MORTAR



## CHINESE PROJECTILE FUZE, PD, TYPE 2

Ordnance used with:  
 MODEL 64, 82-MM, HE-FRAG  
 TYPE 64, 82MM, HE-FRAG

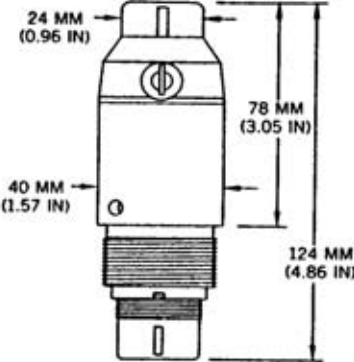
**CHINESE PROJECTILE FUZE, PD, TYPE 429**

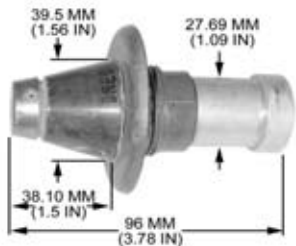


N.E.W. 12.00 G

**CHINESE ROCKET FUZE, PD, MJ-1**

Ordnance used with:  
TYPE 63-2, 107MM, HE, GROUND  
TYPE 82, 130MM, HE  
TYPE 63, 130 MM, SP  
TYPE 82, 130 MM, HEI  
TYPE 63-1, WARHEAD, 107 MM, INCENDIARY  
TYPE 63-1, 107-MM, INCENDIARY, WP





## CHINESE ROCKET FUZE, PI, DREOI

Ordnance used with:  
 DZGI-40, 75MM, APERS, BOUNDING  
 TYPE 69, 75 MM, APERS, BOUNDING

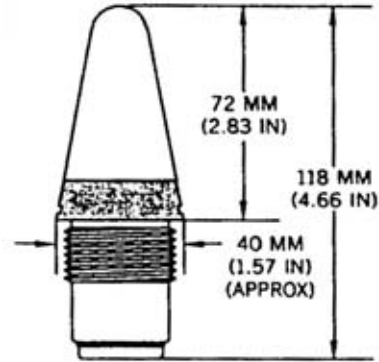


## CHINESE ROCKET FUZE, PROXIMITY, MD-21

Ordnance used with:  
 TYPE 63, 107MM, SURFACE-TO-SURFACE, HE/FRAG  
 TYPE 63-1, WARHEAD, 107 MM, INCENDIARY  
 TYPE 63-1, 107-MM, INCENDIARY, WP

## FRENCH PROJECTILE FUZE, PROXIMITY, PF-122

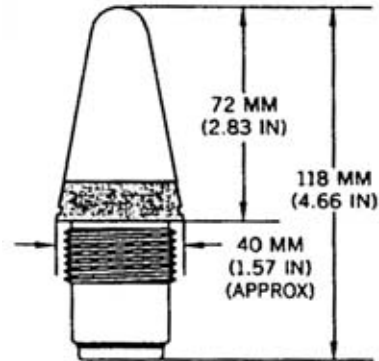
Ordnance used with:  
OF-56, 122-MM, HE  
OF-56-1, 122-MM, HE  
462J, 122-MM, HE  
OF-462, 122-MM, HE (WITHOUT ADAPTER)



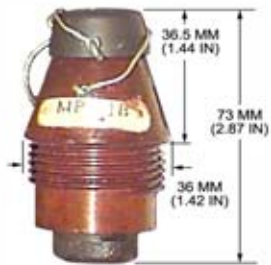
N.E.W. 11.13 G

## FRENCH PROJECTILE FUZE, PROXIMITY/PD, PF-130

Ordnance used with:  
462J, 122-MM, HE



N.E.W. 11.13 G



## IRANIAN PROJECTILE FUZE, PD, MP-1B

Ordnance used with:  
 SAEGHEH, 40MM, HE  
 SAEGHEH, CARTRIDGE, 40MM, HE

N.E.W. 9.00 G



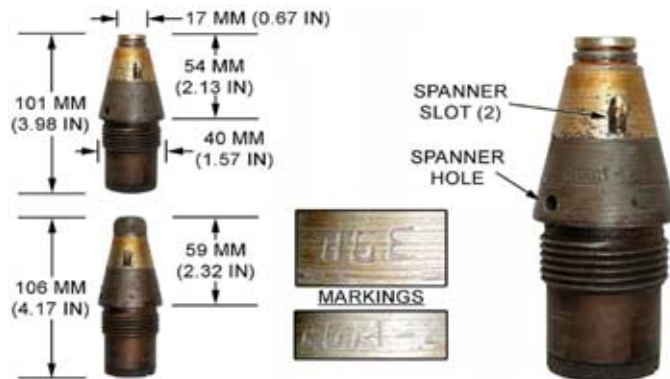
## IRAQI FUZE, PD, MODEL UNKNOWN (M6H)

Ordnance used with:  
 MODEL UNKNOWN, 82-MM, CARTRIDGE, MORTAR, HE  
 MODEL UNKNOWN, 82MM, MORTAR, HE

N.E.W. 12.00 G



## IRAQI PROJECTILE FUZE, PD, RGM-2



N.E.W. 14.00 G

## POLISH ROCKET FUZE, NOSE, PD, W-5K

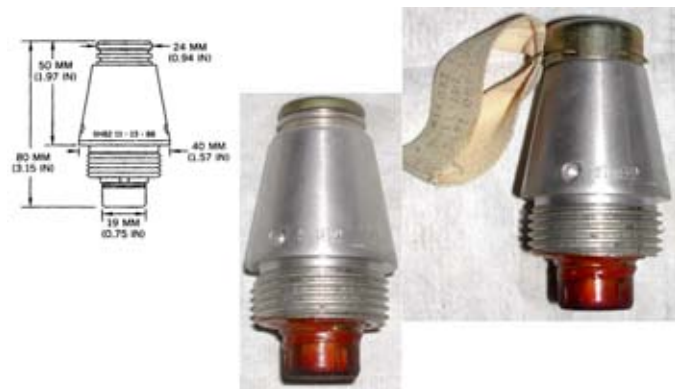




## ROMANIAN PROJECTILE FUZE, PIBD, GPV-2R

Ordnance used with:  
 HXG, 100-MM, HEAT-T  
 BK-354, 76MM, HEAT-T  
 BK412R, 100-MM, HEAT-T  
 BK-540R, 152 MM, HEAT

N.E.W. 4.00 G



## ROMANIAN PROJECTILE FUZE, PD, SH-82

Ordnance used with:  
 O-832DU, 82-MM, FRAG  
 O-832D, 82-MM, MORTAR, FRAG  
 D-832, 82-MM, MORTAR, SMOKE, WP  
 D-832DU, 82-MM, MORTAR, SMOKE, WP  
 O-832, PROJECTILE, 82MM, HE, MORTAR  
 UO-832D, 82-MM, CARTRIDGE, HE-FRAG  
 UO-832DU, 82-MM, CARTRIDGE, HE

N.E.W. 6.00 G

**SOUTH AFRICAN PROJECTILE FUZE, PROXIMITY/PD,  
MO 120**

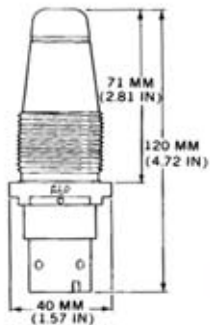


N.E.W. 21.83 G

**SPANISH BOMB FUZE, NOSE OR TAIL, IMPACT, EMBI**

Ordnance used with:  
 BIN 100, BOMB, INCENDIARY  
 BIN 250, BOMB, INCENDIARY  
 BIN 375, BOMB, INCENDIARY  
 BIN 200, BOMB, INCENDIARY  
 MODEL UNKNOWN, IGNITER, FIRE BOMB, WP





## U.S.S.R. PROJECTILE FUZE, BD, DBR

Ordnance used with:  
 TYPE 367, 85-MM, CARTRIDGE, APHE-T  
 UBR-367, 85-MM, CARTRIDGE, APHE-T  
 BR-471B, 122-MM, APHE-T  
 BR-482B, 130-MM, APHE-T  
 BR-412B, 100-MM, APHE-T  
 UBR-412D, CARTRIDGE, 100-MM, APHE-T  
 VBR-472, 122-MM, CARTRIDGE, APC-T

N.E.W. 0.00 G



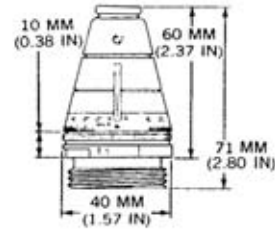
## U.S.S.R. PROJECTILE FUZE, DUMMY, GK-2

Ordnance used with:  
 PBK-881, 82-MM, CARTRIDGE, PRACTICE

## U.S.S.R. PROJECTILE FUZE, NOSE, (TSQ), T-1

Ordnance used with:  
KT-8, 82-MM, MORTAR, ILLUM  
O-365, 85-MM, PROJECTILE, HE, (2 PIECE)  
S-832S, 82-MM, ILLUM  
S-832SM, 82 MM, ILLUM  
S-843, 120-MM, MORTAR, ILLUMINATION  
MODEL UNKNOWN, 120-MM, INCENDIARY  
3D14, 120-MM, MORTAR, SMOKE

N.E.W. 9.00 G



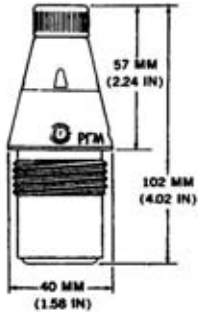
## U.S.S.R. PROJECTILE FUZE, PD, GO-2

Ordnance used with:  
OG-7V, 40MM, CARTRIDGE, FRAG  
OG-7V, 40MM, HE  
OG-9, 73-MM, HE-FRAG  
OG-9M, 73-MM, HE-FRAG  
OG-7VE, ROCKET PROPELLED, 85/40 MM, HE  
OFG-7, ROCKET PROPELLED, 57/40 MM, HE  
OG-9B, 73MM, HE-FRAG

N.E.W. 8.95 G



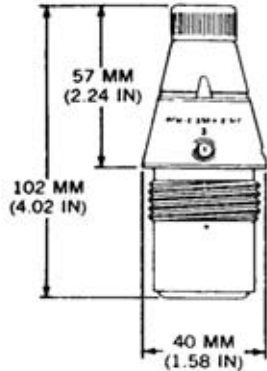
## U.S.S.R. PROJECTILE FUZE, PD, RGM



Ordnance used with:  
EF-412  
OF-412, 100-MM, FRAG-HE  
HE-462, 122MM, HE-FRAG  
OF-462, 122-MM, HE-FRAG  
0-460A, 122-MM, FRAG  
DTS-471, 122-MM, SMOKE  
F-412, 100-MM, FRAG-HE

N.E.W. 16.00 G

## U.S.S.R. PROJECTILE FUZE, PD, RGM-2

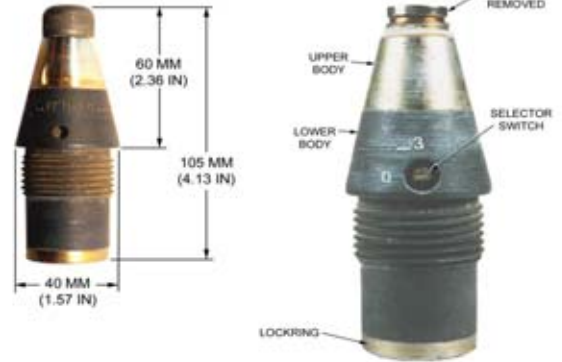


Ordnance used with:  
EF-412  
OF-412, 100-MM, FRAG-HE  
HE-462, 122MM, HE-FRAG  
OF-462, 122-MM, HE-FRAG  
0-460A, 122-MM, FRAG  
MODEL UNKNOWN, 122-MM, CHEMICAL (NON-PERSISTANT)  
D-4, 122-MM, SMOKE, WP

N.E.W. 16.00 G

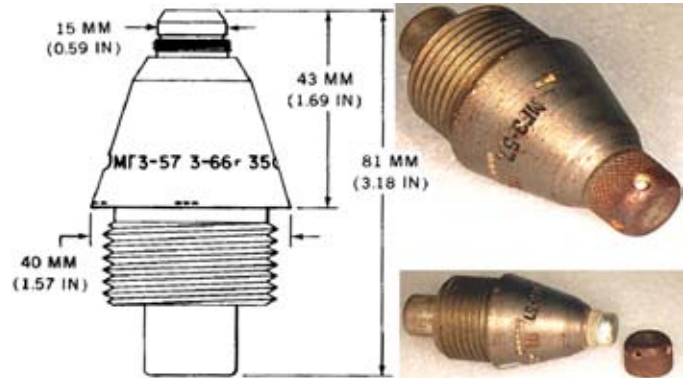
## U.S.S.R. PROJECTILE FUZE, PD, RGM-2M

Ordnance used with:  
HE-462, 122MM, HE-FRAG  
OF-462, 122-MM, HE-FRAG  
OF25, 152-MM, FRAG-HE  
OF-56, 122-MM, HE  
OF-56-1, 122-MM, HE  
M79 BB, 130MM, HE-BB

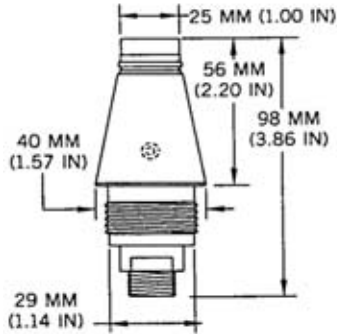


## U.S.S.R. PROJECTILE FUZE, PDSD, MGZ-57

Ordnance used with:  
OR-281, 57-MM, FRAG-T  
53-OR-281U  
OR-281U, 57-MM, FRAG-T  
UOR-281U, 57 MM, FRAG-T

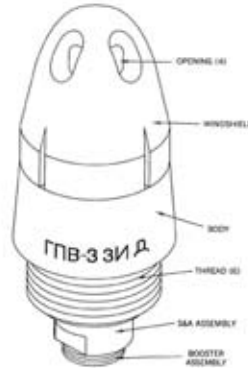
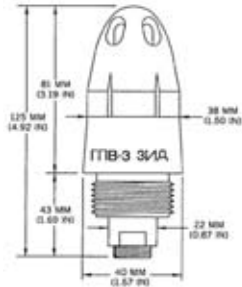


## U.S.S.R. PROJECTILE FUZE, PIBD, GPV-2



Ordnance used with:  
BK-2M, 85-MM, HEAT-FS  
BK-354M, 76-MM, HEAT-FS  
BK-4M, 115-MM, HEAT-FS  
BK-6M, 122-MM, HEAT-FS  
BK463UM, 122-MM, HEAT-FS  
UBK-4M, CARTRIDGE, 100-MM, HEAT-FS  
HXG, 100-MM, HEAT-T  
N.E.W. 5.00 G

## U.S.S.R. PROJECTILE FUZE, PIBD, GPV-3

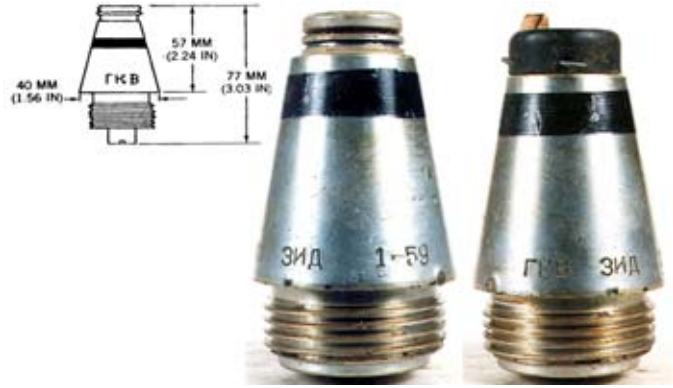


Ordnance used with:  
BP-540, 152-MM, HEAT-T  
BK-3, 100-MM, HEAT-FS-T



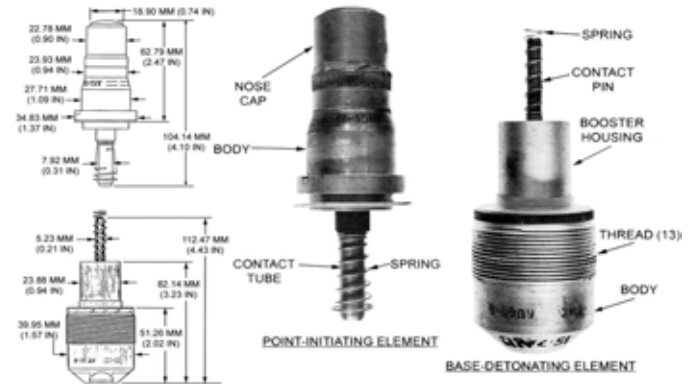
## U.S.S.R. PROJECTILE FUZE, PIBD, MODEL GKV

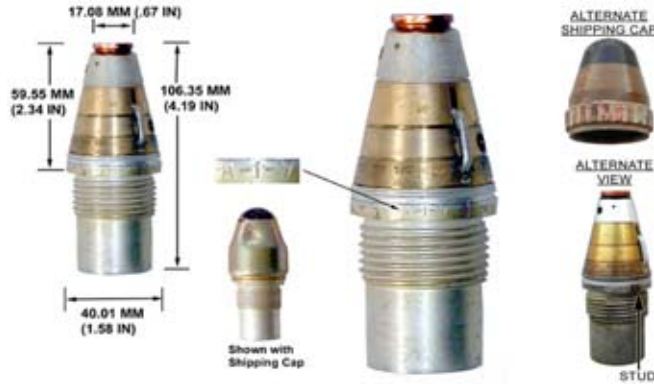
Ordnance used with:  
 BP-463, 122-MM, HEAT  
 BP-540, 152-MM, HEAT-T



## U.S.S.R. PROJECTILE FUZE, PIBD, V-15

Ordnance used with:  
 3BK-13, 122-MM, HEAT-FS-T  
 BK-13, 122-MM, HEAT-FS-T  
 BK13, 122-MM, HEAT-FS-T  
 BK-14M, 125-MM, HEAT-T  
 3UBK7, CARTRIDGE, 115-MM, HEAT-FS  
 UBK-7, CARTRIDGE, 115-MM, HEAT-FS  
 MODEL UNKNOWN, 122-MM, HEAT-FS

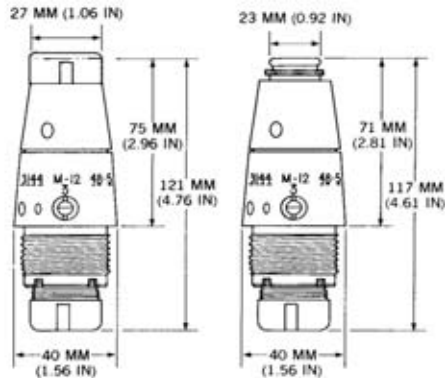




## U.S.S.R. PROJECTILE FUZE, TSQ, D-1-U

Ordnance used with:  
 OF-18, 115-MM, HE-FRAG  
 OF-540, 152-MM, FRAG-HE  
 OF540, 152-MM, FRAG-HE  
 OF-56, 122-MM, HE  
 OF-56-1, 122-MM, HE  
 TF-462, 122-MM, HE  
 462J, 122-MM, HE

N.E.W. 17.00 G



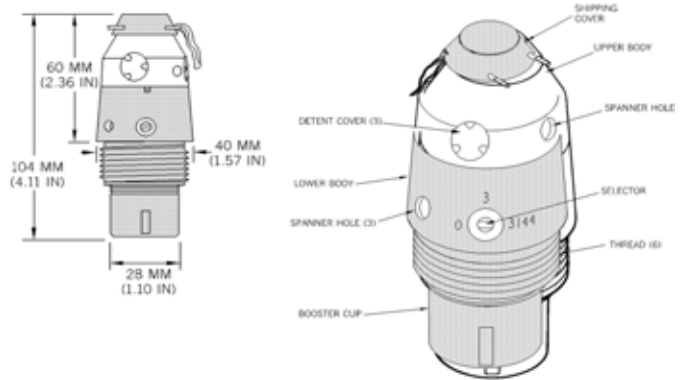
## U.S.S.R. PROJECTILE FUZES, PD, M12 & V-22

Ordnance used with:  
 3100/843  
 MODEL 3100-843, 120-MM, SMOKE WP  
 D-5, 120-MM, MORTAR, SMOKE (WP)  
 F-843, 120-MM, MORTAR, HE  
 OF-843, 120-MM, MORTAR, FRAG-HE  
 OF-843A, 120-MM, MORTAR, HE-FRAG  
 3OF-843B, 120-MM, MORTAR, HE

N.E.W. 28.00 G

## U.S.S.R. ROCKET FUZE, NOSE, PD, V-24

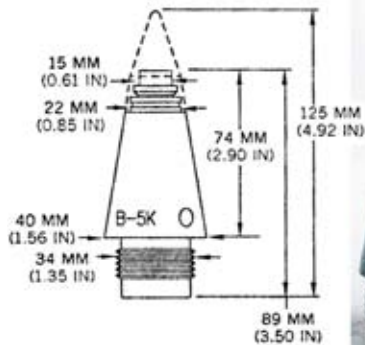
Ordnance used with:  
 F-961, 240 MM, SPIN STABILIZED, HE, SURFACE-TO-SURFACE  
 F-961U, 240 MM, SPIN STABILIZED, HE, SURFACE-TO-SURFACE  
 MDL UNK, WARHEAD, 140 MM, CHEMICAL, NON-PERSISTANT  
 MODEL UNKNOWN, 240 MM, CHEMICAL, NON-PERSISTANT



## U.S.S.R. ROCKET FUZE, NOSE, PD, V-25

Ordnance used with:  
 F-961, 240 MM, SPIN STABILIZED, HE, SURFACE-TO-SURFACE  
 F-961U, 240 MM, SPIN STABILIZED, HE, SURFACE-TO-SURFACE  
 M-14-OF, 140 MM, HE-FRAG  
 MODEL UNKNOWN, WARHEAD, 140 MM, CHEMICAL, NON-PERSIST





## U.S.S.R. ROCKET FUZE, PD, V-5K

Ordnance used with:

UB-16-57-U, 57-MM, LAUNCHER, ROCKET

C-5K, 57-MM, HEAT, AIR-TO-SURFACE

S-5K, 57-MM, HEAT, AIR-TO-SURFACE

S-5KO, 57-MM, WARHEAD, HEAT-FRAG, AIR-TO-SURFACE

S-5K1, 57-MM, HEAT, AIR-TO-SURFACE

C-5MO, 57-MM, HE/FRAG, AIR-TO-SURFACE

S-5MO, 57-MM, HE/FRAG, AIR-TO-SURFACE



## U.S.S.R. ROCKET FUZE, PD, V-8

Ordnance used with:

S-8-OF, 80-MM, HE/FRAG, AIR-TO-SURFACE

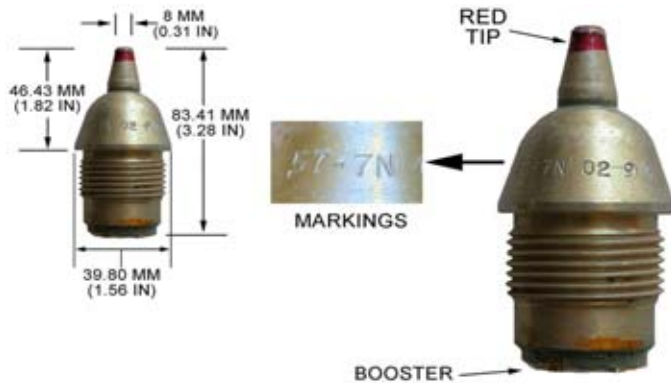
S-8-OF, WARHEAD, 80-MM, HE/FRAG, AIR-TO-SURFACE

**UNKNOWN COUNTRY PROJECTILE FUZE, PD,  
GWMZ-7**



**UNKNOWN COUNTRY PROJECTILE FUZE, PD,  
RGM2-7N**





### UNKNOWN COUNTRY PROJECTILE FUZE, PDSD, 57-7N

Ordnance used with:  
 53-OR-281U  
 OR-281U, 57-MM, FRAG-T  
 UOR-281U, 57 MM, FRAG-T  
 53-UOR-281U  
 UOR-281U, 57 MM, CARTRIDGE  
 UOR-281U, CARTRIDGE, 57MM X 348MM, FRAG-T  
 HGC, 57-MM, CARTRIDGE, HE  
 N.E.W. 14.00 G

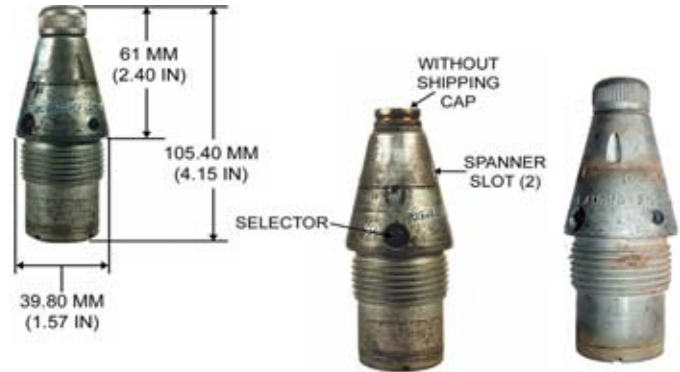


### YUGOSLAV PROJECTILE FUZE, PD, AU-18P1

Ordnance used with:  
 M84, 152-MM, HE  
 462J, 122-MM, HE  
 M79, 130-MM, HE  
 HE-540, 152-MM, HE  
 M78, 152-MM, HE  
 M95, 122-MM, HE  
 M95, 122-MM, HE, ERBB

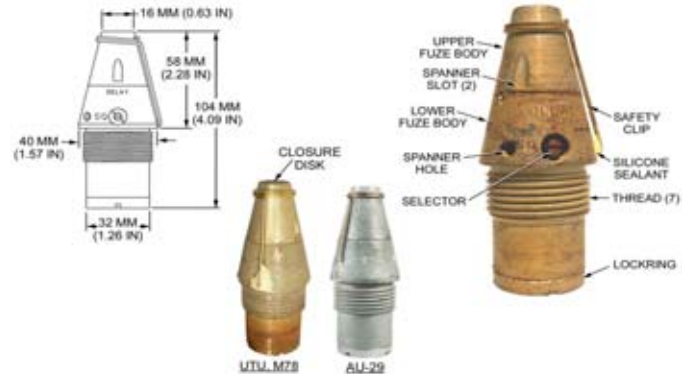
## YUGOSLAV PROJECTILE FUZE, PD, UTIU M71 (AU-18)

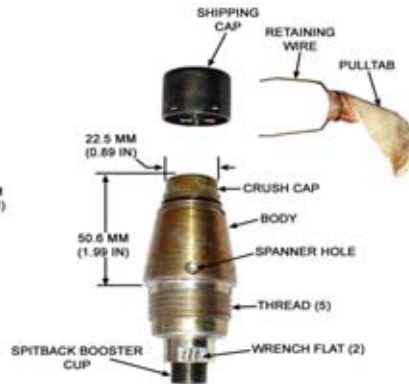
Ordnance used with:  
H/38, 122MM, HE  
H/38, CARTRIDGE, 122MM, HE



## YUGOSLAV PROJECTILE FUZE, PD, UTU, M78 / AU-29

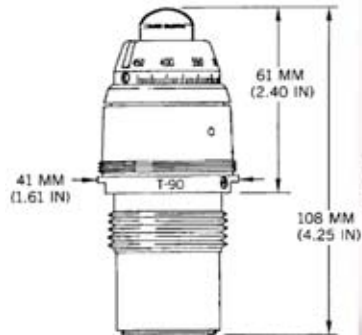
Ordnance used with:  
M62P3, 120-MM, MORTAR, HE  
M77, 120-MM, MORTAR, HERA  
M62, 120-MM, HE, MORTAR  
M95A, 120-MM, MORTAR, HE  
M62P5, 120-MM, HE, MORTAR  
M95A, 120-MM, MORTAR, CARTRIDGE, HE  
M77, 120-MM, CARTRIDGE, MORTAR, HERA, FRAG  
N.E.W. 10.00 G





## YUGOSLAV PROJECTILE FUZE, PIBD, UT-PE.M69

Ordnance used with:  
 M74, 90-MM, HEAT-T  
 M69, 100-MM, HEAT-T  
 M88, 100-MM, OBEL, HEAT  
 M88, 100-MM, CARTRIDGE, HEAT-T  
 M65, 100-MM, HEAT  
 M69, 100-MM, HEAT-T, CARTRIDGE  
 M74, 90-MM, HEAT-T, CARTRIDGE



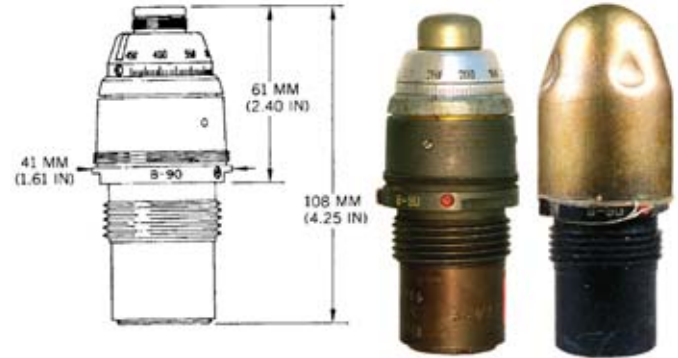
## U.S.S.R. PROJECTILE FUZE, MT, T-90

Ordnance used with:  
 OF25, 152-MM, FRAG-HE  
 S-463, 122-MM, ILLUM  
 S-463ZH, 122-MM, ILLUM  
 S-2, 130-MM, ILLUMINATION  
 S2, 130-MM, ILLUMINATION



## U.S.S.R. PROJECTILE FUZE, MTSQ, V-90

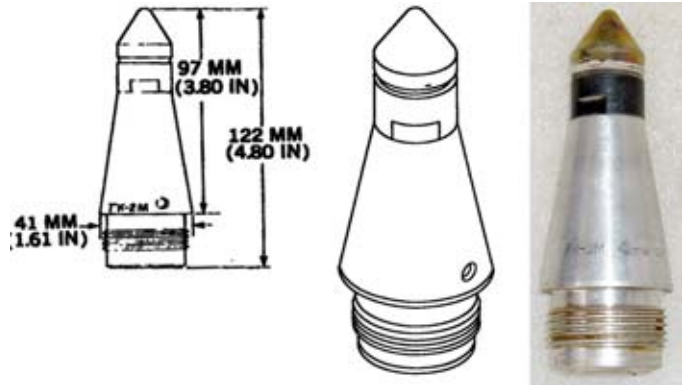
Ordnance used with:  
OF25, 152-MM, FRAG-HE  
OF-462, 122-MM, HE-FRAG  
OF-482M, 130-MM, FRAG-HE  
OF-530, 152-MM, FRAG-HE



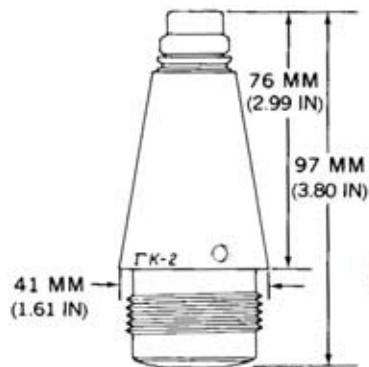
N.E.W. 16.00 G

## U.S.S.R. PROJECTILE FUZE, PD, GK-2M

Ordnance used with:  
BK-881, 82-MM, CARTRIDGE, HEAT  
BK-881M, 82-MM, CARTRIDGE, HEAT  
OG-82, 82 MM, FRAG-HE  
PG-82, 82 MM, HEAT



N.E.W. 2.00 G

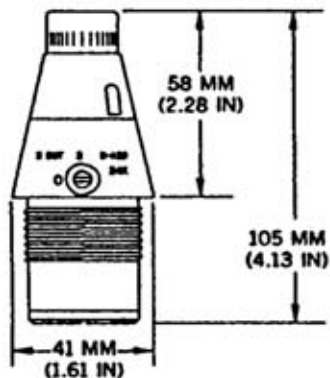


## U.S.S.R. PROJECTILE FUZE, PD, OR PIBD, GK-2



Ordnance used with:  
 O-881A, 82-MM, MORTAR, FRAG  
 BK-881, 82-MM, CARTRIDGE, HEAT  
 BK-881M, 82-MM, CARTRIDGE, HEAT  
 BK-883, 107-MM, HEAT-T  
 OF-883A, 107-MM, MORTAR, HE-FRAG  
 BK-883, CARTRIDGE, 107-MM  
 OG-82, 82 MM, FRAG-HE

N.E.W. 2.00 G



## U.S.S.R. PROJECTILE FUZES, PD, V-429 AND V-429E



Ordnance used with:  
 EF-412  
 OF-412, 100-MM, FRAG-HE  
 BP-460A, 122-MM, HEAT  
 MODEL UNKNOWN, 122-MM, CHEMICAL (NON-PERSISTANT)  
 DTS-1, 130-MM, SMOKE, WP

N.E.W. 16.00 G

## U.S.S.R. ROCKET FUZE, BASE DETONATING ELEMENT, 9-K1-608

Ordnance used with:  
S-8K0M, 80-MM, HEAT/FRAG, AIR-TO-SURFACE  
S-8KO, 80-MM, HEAT/FRAG, AIR-TO-SURFACE  
V-5KP1, ROCKET, PIBD, AIR-TO-SURFACE



---

## U.S. LANDMINE FUZE, AP, COMBINATION, M605

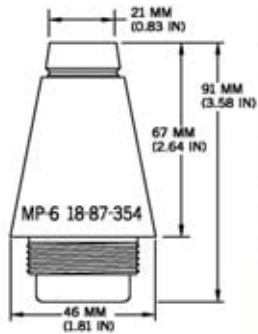
Ordnance used with:  
M16, APERS, BOUNDING  
M16A1, APERS, BOUNDING  
M16A2, APERS, BOUNDING  
XM54, APERS, WP  
M42, PERCUSSION PRIMER  
M42, STAB DETONATOR

N.E.W. 3.00 G





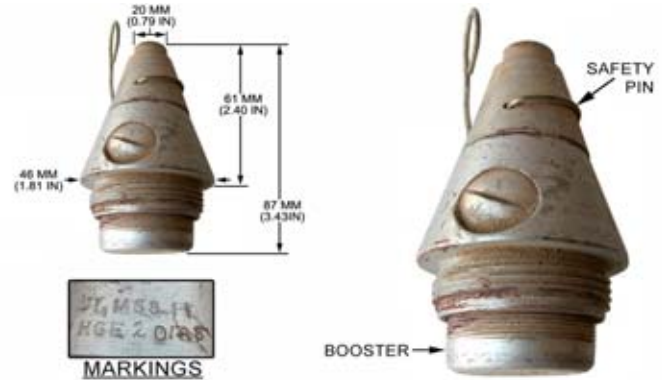
**U.S.S.R. BOMB FUZE, NOSE OR TAIL, AH-1A**



**CHINESE PROJECTILE FUZE, PD, MP-6**

N.E.W. 4.00 G

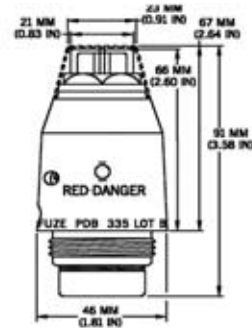
## IRAQI PROJECTILE FUZE, PD, UT,M68 P1



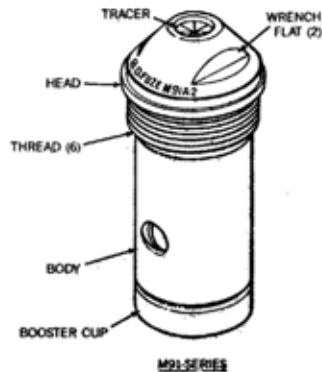
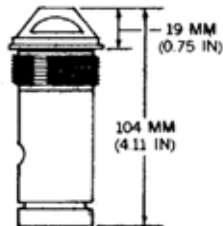
N.E.W. 11.00 G

## ITALIAN PROJECTILE FUZE, PD, PDB 335

Ordnance used with:  
UNKNOWN, 120MM, MORTAR, HE



N.E.W. 20.00 G



## U.S. PROJECTILE FUZES, BD, M91, M91A1, & M91A2

Ordnance used with:  
 M327, 105-MM, HEP-T  
 T81E28, 105 MM, HEP-T  
 M346, 106-MM, CARTRIDGE, HEP-T  
 M346A1, 106-MM, PROJECTILE, HEP-T  
 M456, 105-MM, HEAT-T  
 M456A1, 105-MM, HEAT-T  
 M456E1, 105-MM, HEAT-T

N.E.W. 23.00 G



## YUGOSLAV PROJECTILE FUZE, PD, UT M68 P1

Ordnance used with:  
 M73, 60-MM, HE, MORTAR  
 TRM73, 60-MM, HE, MORTAR  
 M72, 81-MM, HE, MORTAR  
 M73, 60-MM, SMOKE, MORTAR  
 M62P3, 120-MM, MORTAR, HE  
 M74A1, 82-MM, MORTAR, HE  
 M74, 82MM, HE, MORTAR

N.E.W. 23.45 G

## YUGOSLAV PROJECTILE FUZE, PD, UT M70P1

Ordnance used with:

M73, 60-MM, SMOKE, MORTAR

M64P1, 120 MM, SMOKE WP, MORTAR

M74, 82MM, CARTRIDGE, SMOKE, WP, MORTAR

M64P1, CARTRIDGE, 120 MM, SMOKE, WP, MORTAR

M71, 81-MM, SMOKE, WP, MORTAR

M72, 81-MM, SMOKE, WP, MORTAR

M74, 82MM, SMOKE, WP, MORTAR

N.E.W. 6.72 G



## AUSTRIAN PROJECTILE FUZE, PD, PDM525

Ordnance used with:

NR431A1, 60MM, HE

HE 80, 60-MM, HE

NR431A1, 60MM, CARTRIDGE, HE

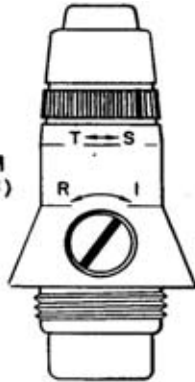
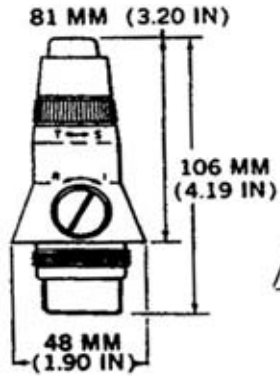
UNKNOWN, 60MM, MORTAR, HE

UNKNOWN, 60MM, CARTRIDGE, MORTAR, HE

HE 83 LD

HE 83, 82-MM, MORTAR, HE





## FRENCH PROJECTILE FUZE, PD, V-19-P

Ordnance used with:

- MK 82, PROJECTILE, 81-MM, HE
- M57D, 81-MM, MORTAR, HE
- M61, 81-MM, HE-MARKER
- ML 61, 81-MM, HE-MARKER
- MK 44, PROJECTILE, 120-MM, SMOKE, MORTAR
- MK 61, 60-MM, HE-MARKER
- MK 44, 120-MM, PRACTICE, MORTAR

N.E.W. 16.00 G



## PAKISTANI PROJECTILE FUZE, PD, V19PA

Ordnance used with:

- M57 DA-2, 81MM, MORTAR, HE
- M57 DA-2, 81-MM, CARTRIDGE, MORTAR, HE
- UNKNOWN, 81-MM, MORTAR, SMOKE, WP
- UNKNOWN, 81-MM, CARTRIDGE, MORTAR, SMOKE, WP
- M57, 81-MM, CARTRIDGE, MORTAR
- M57, 81-MM, MORTAR



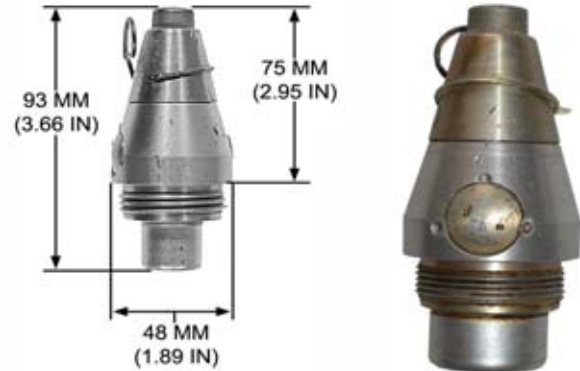
## SPANISH PROJECTILE FUZE, TIME, ECIA M-84

Ordnance used with:  
ESPIN-21, 120-MM, HEDP (ICM)  
M-832, 81-MM, ILLUM  
M-832, 81 MM, CARTRIDGE, ILLUM  
M-847  
M847, 120 MM, ILLUM, MORTAR

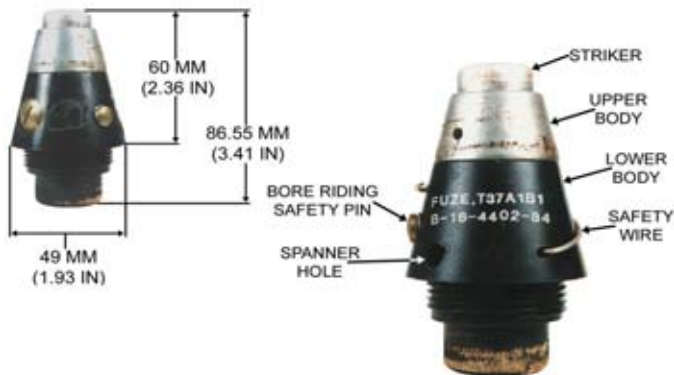


## YUGOSLAV PROJECTILE FUZE, PD, UT, M68

Ordnance used with:  
M68P1, 82-MM, MORTAR, HE  
M56P1, 120MM, MORTAR, HE



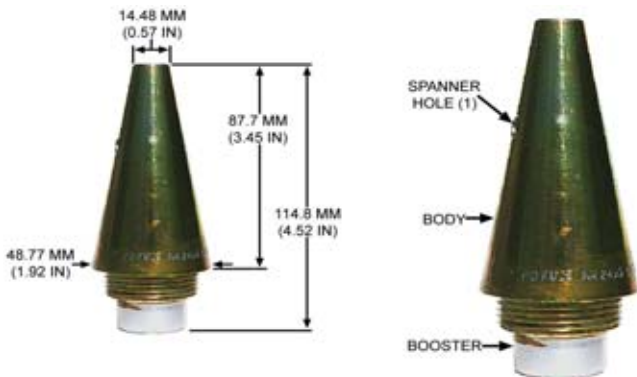
N.E.W. 12.00 G



## AUSTRIAN PROJECTILE FUZE, PD, T37A1B1

Ordnance used with:

HE 70, 81-MM, HE  
 HE 70LD, 81-MM, MORTAR, LONG DISTANCE, HE  
 HE 80, 60-MM, HE  
 HE 83 LD  
 HE 83, 82-MM, MORTAR, HE  
 HE83 LD, 82MM, HE  
 HE 80, 60-MM, CARTRIDGE, HE, MORTAR



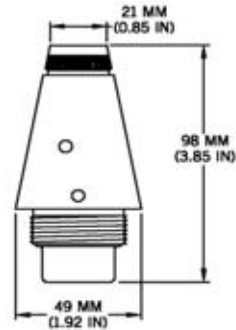
## BELGIAN PROJECTILE FUZE, PD, NR 2495

Ordnance used with:

NR 477, 90-MM, CARTRIDGE, HE  
 NR 501, 90-MM, CARTRIDGE, HE-T  
 M618, 90-MM, SMOKE, WP-T  
 NR 219A1, 90-MM, HE-FRAG-T  
 NR 501A2, 90MM, HE-T  
 NR 480, 90-MM, CARTRIDGE, SMOKE, WP-T  
 M618, 90-MM, CARTRIDGE, SMOKE, WP-T  
 N.E.W. 18.00 G

## CHINESE PROJECTILE FUZE, PD, MP-5B

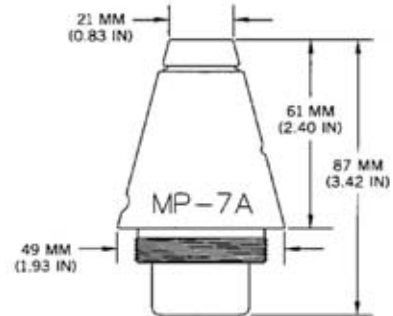
Ordnance used with:  
UNKNOWN, 81MM, MORTAR, HE



N.E.W. 5.00 G

## CHINESE PROJECTILE FUZE, PD, MP-7A

Ordnance used with:  
UNKNOWN, 120MM, MORTAR, HE

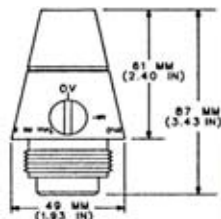


N.E.W. 17.00 G



## FINNISH PROJECTILE FUZE, PD, M-111

Ordnance used with:  
 M57, 120-MM, HE  
 M68, CARTRIDGE, 120-MM, SMOKE WP  
 M68, 120MM, SMOKE, WP



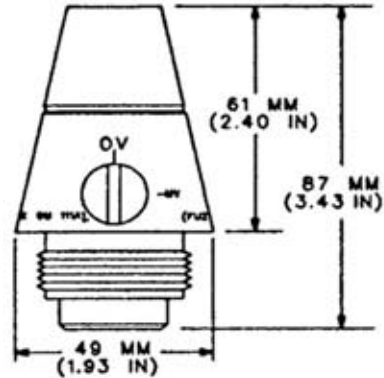
## GERMAN (FEDERAL REPUBLIC) PROJECTILE FUZE, PD, DM111A2, (AZ 111 A2), AZ DM 111A2

Ordnance used with:  
 NR431A1, 60MM, HE  
 BPD-IM1, 81-MM MORTAR, HE  
 NM123, 81-MM, HE  
 HE 70, 81-MM, HE  
 HE 70LD, 81-MM, MORTAR, LONG DISTANCE, HE  
 UNKNOWN, 60-MM, HE  
 64, 81-MM, HE  
 N.E.W. 15.00 G

## GERMAN (FEDERAL REPUBLIC) PROJECTILE FUZE, PD, DM111A4

Ordnance used with:  
C111, 60MM, CARTRIDGE, SMOKE, RP, MORTAR  
NM123, 81-MM, HE  
DM 11A4, CARTRIDGE, 120-MM, HE, MORTAR  
FP11A4, CARTRIDGE, 120-MM, HE, MORTAR  
DM 18A4, CARTRIDGE, 120-MM, TP-T  
DM 25A1, 120-MM, SMOKE FM  
DM 11, 81 MM, HE

N.E.W. 15.00 G



## IRANIAN PROJECTILE FUZE, PD, AZ111

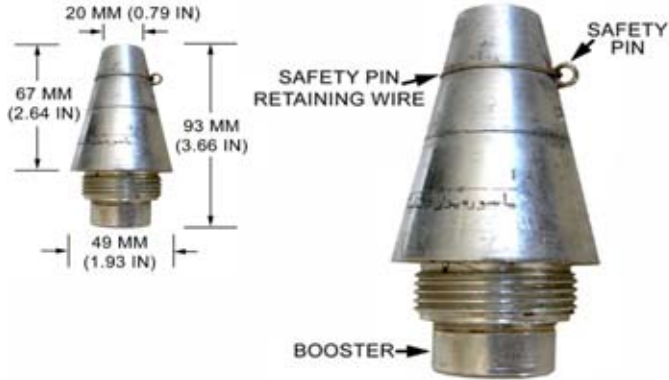
Ordnance used with:  
M73, 60-MM, HE, MORTAR  
TRM73, 60-MM, HE, MORTAR  
MODEL UNKNOWN, 60MM, MORTAR, HE  
UNKNOWN, 120MM, MORTAR, HE  
UNKNOWN, 60MM, MORTAR, HE  
UNKNOWN, 60MM, CARTRIDGE, MORTAR, HE  
M73, CARTRIDGE, 60-MM, MORTAR



IRANIAN PROJECTILE FUZE, PD, MODEL UNKNOWN



IRANIAN PROJECTILE FUZE, PD, MODEL UNKNOWN

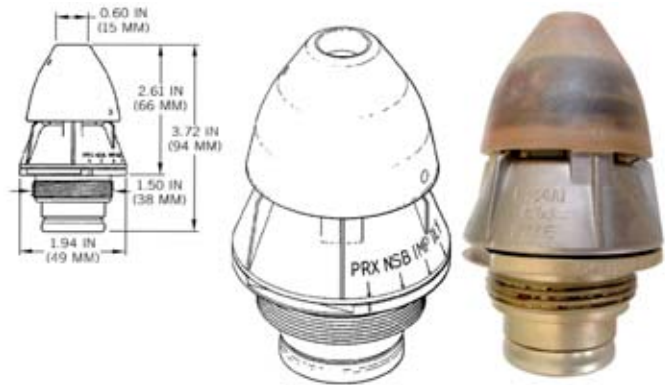


## SPANISH PROJECTILE FUZE, MT, MT370



## U.S. PROJECTILE FUZE, MORTAR: MULTIOPTION, M734A1

Ordnance used with:  
M821A1, 81MM, HE  
L31E2, 81-MM, MORTAR, HE  
M929, 120 MM, SMOKE  
M100, ELECTRIC DETONATOR  
M934A1, 120-MM, HE, MORTAR  
M61, STAB DETONATOR  
UNDESIGNATED, PRIMER DELAY, STAB (F/M734)  
N.E.W. 12.00 G





**CZECHOSLOVAKIAN BOMB FUZE ARMING DELAY MECHANISM, ELECTRIC, MDV-2E**



**U.S.S.R. BOMB FUZE ARMING DEVICE, MODEL UNKNOWN**





**SPANISH BOMB FUZE, ALL-WAY ACTING, MODEL UNKNOWN**



**TERRORIST/INSURGENT & GUERRILLA ORG FIRING DEVICE, ELECTRONIC, PULL ACTUATED, (TOGGLE SWITCHES) MODEL UNKNOWN**

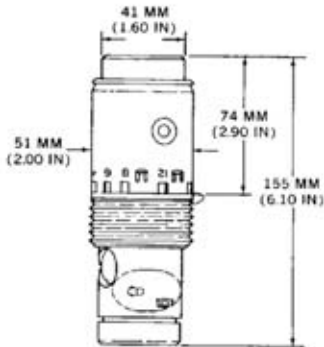
Ordnance used with:  
MODEL UNKNOWN, BELT, FRAGMENTATION, SUICIDE BOMBER





## TERRORIST/INSURGENT & GUERRILLA ORG FIRING DEVICE, ELECTRONIC, PULL, MODEL UNKNOWN

Ordnance used with:  
MODEL UNKNOWN, BELT, FRAGMENTATION, SUICIDE BOMBER



## U.S. BOMB FUZE, TAIL, IMPACT, SHORT DELAY, M905

Ordnance used with:  
BLU-110A/B, BOMB, GPLD, 1,000 LB  
BLU-111A/B, BOMB, GPLD, 500 LB  
BLU-82/B, BOMB UNIT, BLAST, CRADLED  
GBU-10/B, BOMB UNIT, GUIDED  
GBU-10A/B, BOMB UNIT, GUIDED  
GBU-10C/B, BOMB UNIT, GUIDED  
GBU-10D/B, BOMB UNIT, GUIDED

N.E.W. 2.00 G

**U.K. PROJECTILE FUZE, PD, NO. 161 MK 3/1**



SHIPPING CAP  
REMOVED

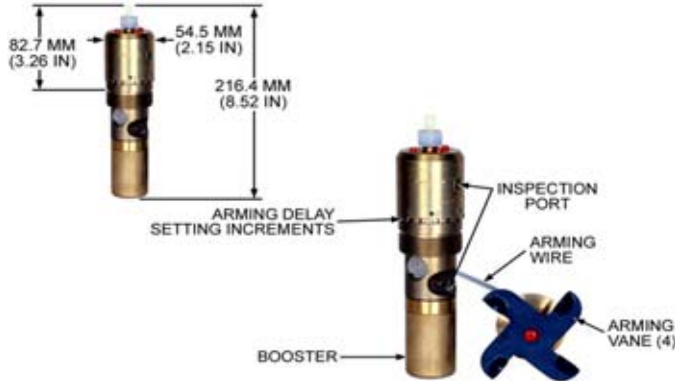


SHIPPING CAP



**UNKNOWN COUNTRY BOMB FUZE, TAIL, RM-905**





## SPANISH BOMB FUZE, TAIL, IMPACT, MU-8

Ordnance used with:  
BR-82, BOMB, (TYPE MK 82)  
BRF 1000, BOMB, FRAG  
BRI-400, BOMB, GP, 400 KG, BRI-400  
BR 250, BOMB, GP  
BRF-125  
BRF-125, FRAG

N.E.W. 90.00 G

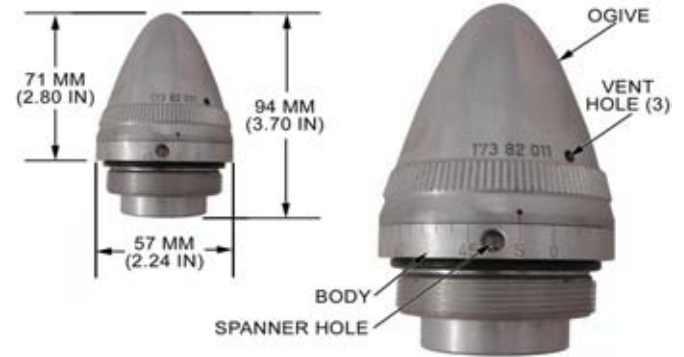


## TERRORIST/INSURGENT & GUERRILLA ORG FIRING DEVICE, ELECTRONIC, MERCURY SWITCH, MODEL UNKNOWN

Ordnance used with:  
MODEL UNKNOWN, BELT, FRAG, SUICIDE BOMBER

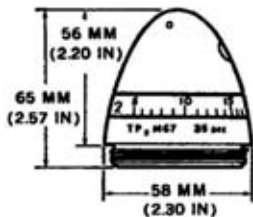
## SWEDISH ROCKET FUZE, PTT, MODEL UNKNOWN

Ordnance used with:  
MODEL UNKNOWN, WARHEAD, ILLUMINATION



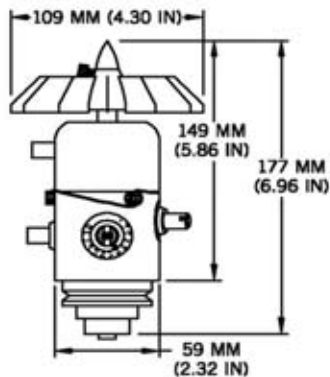
## UNKNOWN COUNTRY PROJECTILE FUZE, DUMMY, MODEL UNKNOWN





## YUGOSLAV PROJECTILE FUZE, PTT, M67

Ordnance used with:  
 M67, 60-MM, ILLUM, MORTAR  
 M67, 82-MM, ILLUM, MORTAR  
 M67, 81-MM, ILLUM, MORTAR  
 M67, 82MM, CARTRIDGE, ILLUM, MORTAR



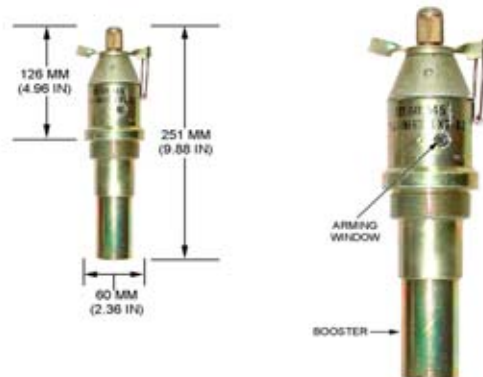
## CHILEAN BOMB FUZE, NOSE, ELECTRONIC TIME DELAY, EEA-II

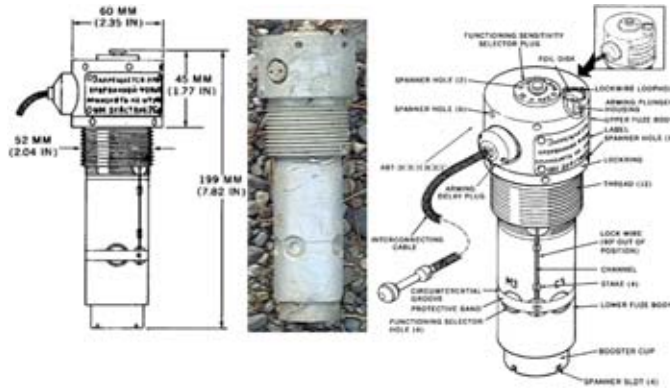
Ordnance used with:  
 CB-250-K, CLUSTER BOMB  
 CB 500, CLUSTER BOMB, 245 KG  
 CB 500-K, CLUSTER BOMB, 500 KG  
 CBU, NAAMAN-500

**CHILEAN BOMB FUZE, NOSE, ELECTRONIC TIME  
DELAY, EEA-250**



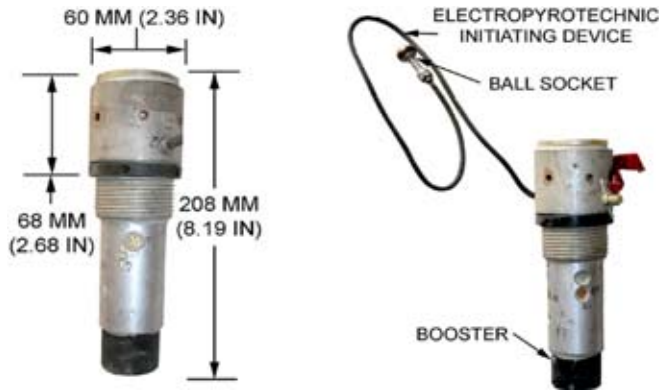
**FRENCH BOMB FUZE, NOSE, TYPE 545F**





## U.S.S.R. BOMB FUZE, NOSE & TAIL, IMPACT, AVT-E

Ordnance used with:  
 FAB-1500 M54, BOMB, GENERAL PURPOSE  
 FAB-1500 M46, BOMB, GENERAL PURPOSE  
 FAB-250 M54, BOMB, GENERAL PURPOSE  
 FAB-250 SHN, BOMB, HE, RETARDED, 275 KG  
 FAB-500 M46, BOMB, GENERAL PURPOSE  
 FAB-500 M54, BOMB, GENERAL PURPOSE  
 FAB-500SH, GENERAL PURPOSE, 500 KG



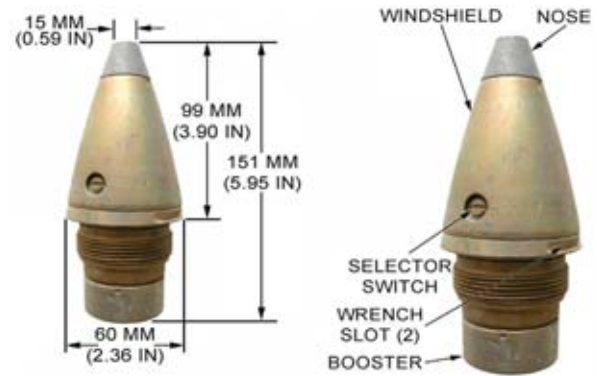
## UNKNOWN COUNTRY BOMB FUZE, NOSE AND TAIL, IMPACT INERTIA, FUEBA

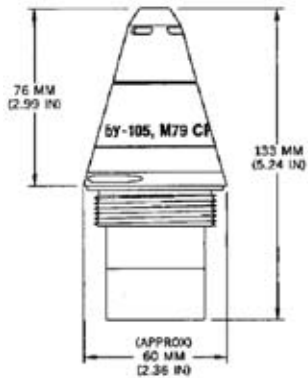


**UNKNOWN COUNTRY PROJECTILE FUZE, MTSQ, NR 2146 A**



**UNKNOWN COUNTRY PROJECTILE FUZE, PD M557 A2**

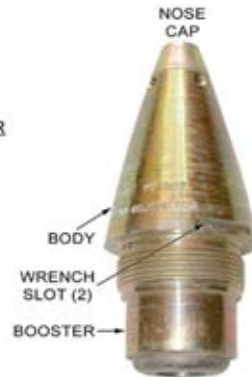




## YUGOSLAV PROJECTILE FUZE, PROXIMITY/PD, BU-105 M79

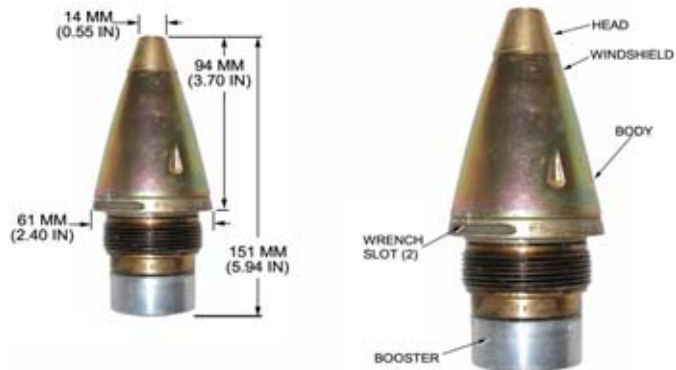
Ordnance used with:  
M1, 105-MM, HE

N.E.W. 55.60 G



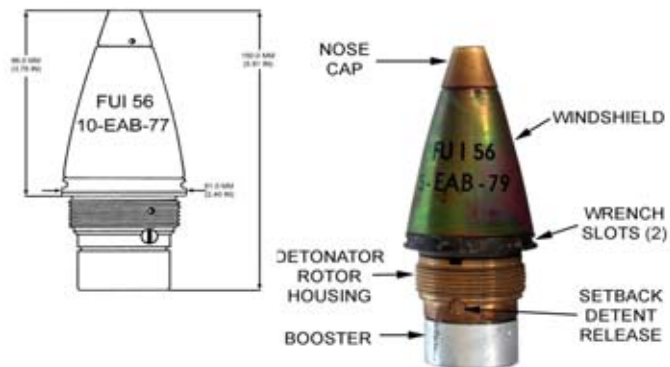
## BELGIAN PROJECTILE FUZE, PD, M739

## COUNTRY UNKNOWN PROJECTILE FUZE, PD, M557



## FRENCH PROJECTILE FUZE, PD, FUI 56

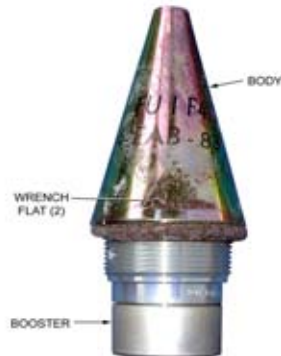
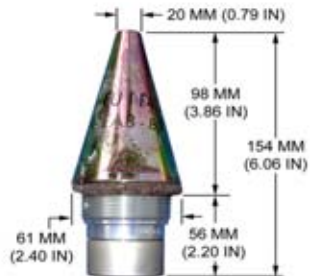
Ordnance used with:  
OE105 F1, 105-MM, HE  
MODEL 56, 155MM, HE  
MODEL 56/69, 155-MM, HE  
OE 155 56/69, 155-MM, HE  
TYPE 56/69, 155-MM, HE  
F2, 155-MM, SMOKE WP  
F1A, 155-MM, SMOKE WP





## FRENCH PROJECTILE FUZE, PD, FUI F3

Ordnance used with:  
 MODEL 56, 155MM, HE  
 MODEL 56/69, 155-MM, HE  
 OE 155 56/69, 155-MM, HE  
 TYPE 56/69, 155-MM, HE  
 F1, 155-MM, PRACTICE  
 OX 155 F1  
 F1A, 155-MM, SMOKE WP



## FRENCH PROJECTILE FUZE, PD, FUI F4

Ordnance used with:  
 MODEL 56, 155MM, HE  
 MODEL 56/69, 155-MM, HE  
 OE 155 56/69, 155-MM, HE  
 TYPE 56/69, 155-MM, HE  
 F1, 155-MM, PRACTICE  
 OX 155 F1  
 F1A, 155-MM, SMOKE WP

## FRENCH PROJECTILE FUZE, PD, VG-29

Ordnance used with:

F2

OE-PAD-120-F2

P.R.P.A., 120-MM, MORTAR, HE

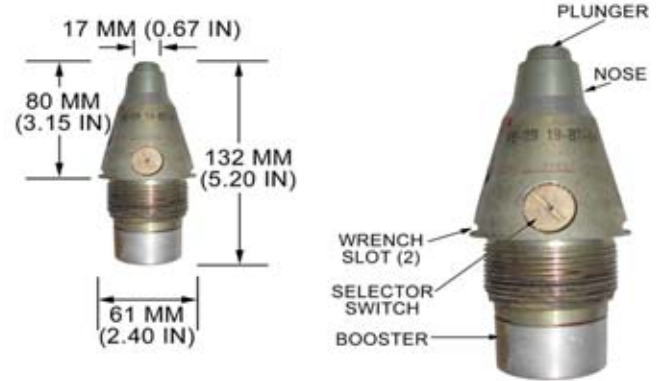
PRPA., 120-MM, HE-RA, MORTAR

OE 120 F1, 120 MM, HE, MORTAR

OE.120.F1, 120 MM, HE

OE 120 F1, 120MM, CARTRIDGE, HE, MORTAR

N.E.W. 37.71 G



## FRENCH PROJECTILE FUZE, PROXIMITY, CAL 120 PR 14

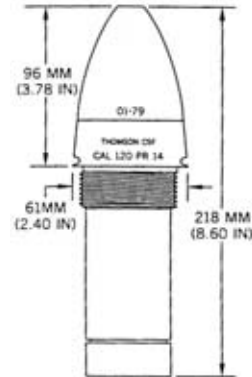
Ordnance used with:

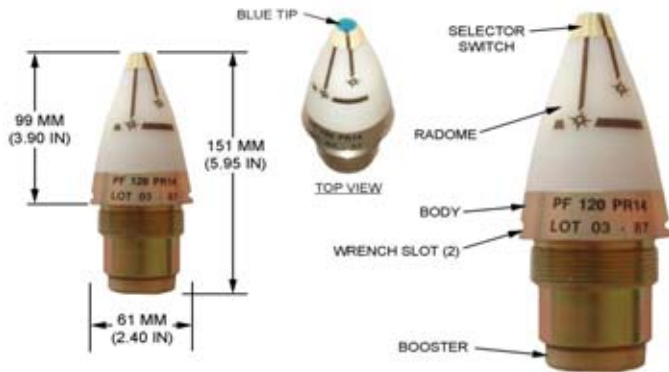
M852, CARTRIDGE, 120-MM, HE, MORTAR

MKE MOD 209, 120 MM, HE

MKE MOD 209, CARTRIDGE, 120-MM, HE, MORTAR

N.E.W. 25.40 G





## FRENCH PROJECTILE FUZE, PROXIMITY, PF 120 PR 14

Ordnance used with:  
 PR 14, 120-MM, HE  
 PR 14 (MODIFIED), 120-MM, HE  
 PR 14, CARTRIDGE, 120-MM, HE

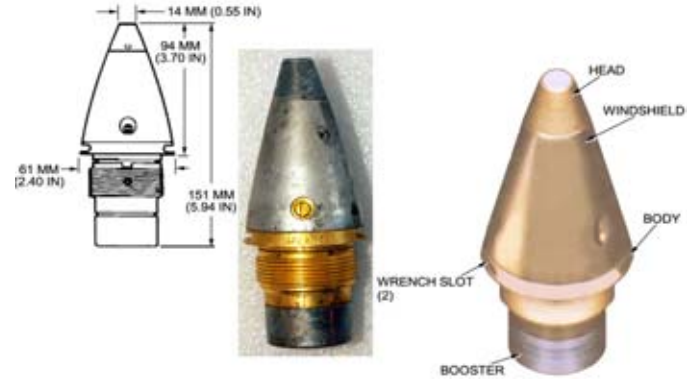
N.E.W. 21.00 G



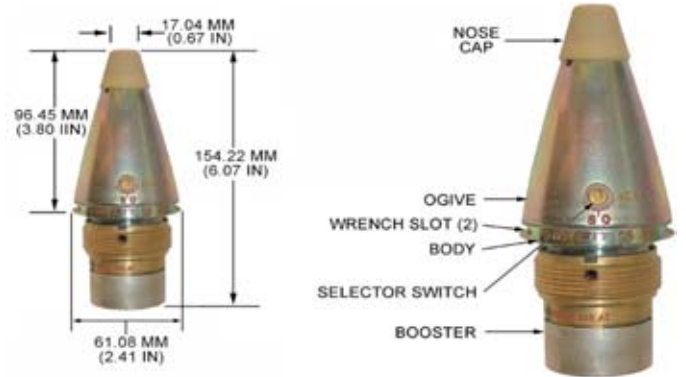
## IRANIAN PROJECTILE FUZE, PD, MODEL UNKNOWN

## PAKISTANI PROJECTILE FUZE, PD, PDM 557

Ordnance used with:  
M125A1, BOOSTER  
M107, 155 MM, HE  
M107, 155 MM, HE  
M106, 203 MM, HE  
UNKNOWN, 105-MM, HE  
UNKNOWN, 105-MM, CARTRIDGE, HE  
UNKNOWN, 105-MM, SMOKE, WP



## SOUTH AFRICAN PROJECTILE FUZE, PD, M572A3





**SOUTH AFRICAN PROJECTILE FUZE, PDSQ, M572 R1M1**



**SOUTH AFRICAN PROJECTILE FUZE, PDSQ, M841A1**

Ordnance used with:

- M1A2, 155-MM, HE, ERFB BB
- M1A1, 155-MM, HE, ERFB
- M1A1, 155MM, HE, ERFB, BB
- M1A1, 155-MM, PRACTICE, ERFB
- M1A2, 155-MM, ERFB, PRACTICE
- M1A4, 155-MM, HE, ERFB

N.E.W. 26.03 G



## SOUTH AFRICAN PROJECTILE FUZE, PROXIMITY, M85C13

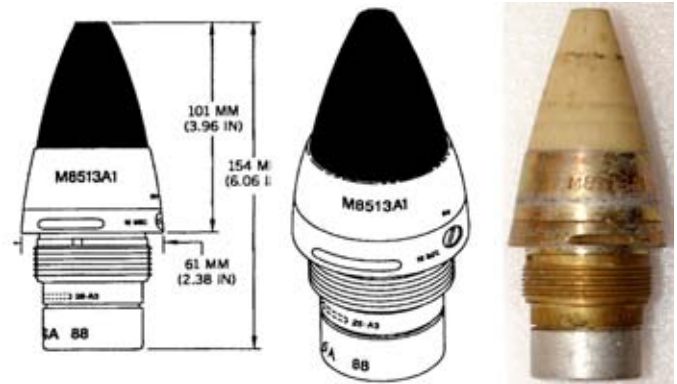
Ordnance used with:  
M545 A-1-AU, BOOSTER, FUZE



## SOUTH AFRICAN PROJECTILE FUZE, PROXIMITY/PD, M8513A1

Ordnance used with:  
M1A2, 155-MM, HE, ERFB BB  
M1A1, 155-MM, HE, ERFB  
M1A1, 155MM, HE, ERFB, BB  
M1A1, 155-MM, PRACTICE, ERFB  
M1A2, 155-MM, ERFB, PRACTICE  
M1A4, 155-MM, HE, ERFB

N.E.W. 22.68 G





## SPANISH PROJECTILE FUZE, PD, M557

Ordnance used with:  
 F1, 155-MM, PRACTICE  
 OX 155 F1  
 56/69, 155-MM, PRACTICE W/ SPOTTING CHARGE  
 OX 155 56/69  
 MKE MOD 233, 105 MM, HE  
 MODEL 233  
 F1, 155 MM, HE



## SPANISH PROJECTILE FUZE, PD, PDB 103

## U.S. PROJECTILE FUZE, MTSQ, M564

Ordnance used with:

M1, 105-MM, HE

M101, 155 MM, HE (GUN)

M104, 155 MM, SMOKE, WP OR FS

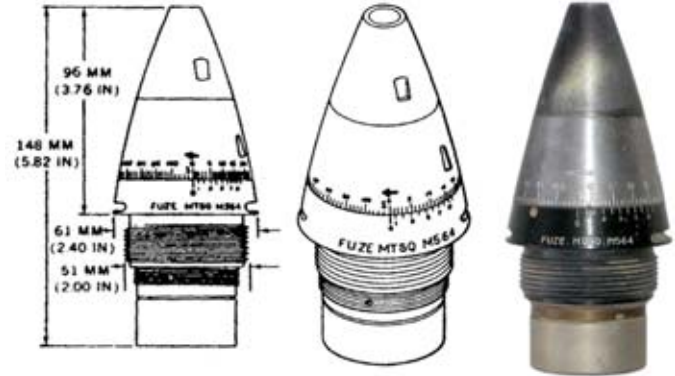
M106, 8-INCH, HE

M110, 155 MM, SMOKE, WP (HOWITZER)

M110A1, 155 MM, SMOKE, WP (HOWITZER)

M110A2, 155 MM, SMOKE, WP (HOWITZER)

N.E.W. 28.70 G



## U.S. PROJECTILE FUZE, PD, M51A5

Ordnance used with:

M1, 105-MM, HE

M101, 155 MM, HE (GUN)

M104, 155 MM, SMOKE, WP OR FS

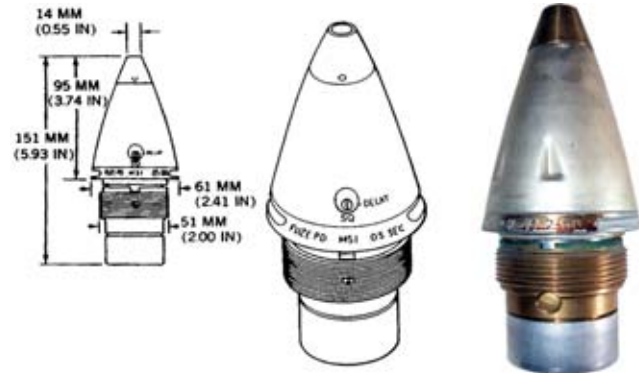
M105, 155 MM, SMOKE, WP

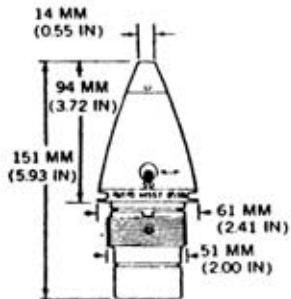
M106, 8-INCH, HE

M110, 155 MM, SMOKE, WP (HOWITZER)

M110A1, 155 MM, SMOKE, WP (HOWITZER)

N.E.W. 24.00 G



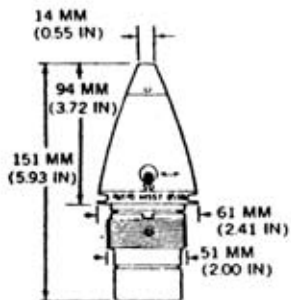


## U.S. PROJECTILE FUZE, PD, M557

Ordnance used with:

- M1, 105-MM, HE
- M101, 155 MM, HE (GUN)
- M104, 155 MM, SMOKE, WP OR FS
- M106, 8-INCH, HE
- M121, 155-MM, GAS, VX
- M121A1, 155-MM, GAS, VX OR GB
- M122, 155-MM, GAS, GB

N.E.W. 24.00 G



## U.S. PROJECTILE FUZE, PD, M557, WITH BOOSTER

Ordnance used with:

- M1, 105-MM, HE
- M101, 155 MM, HE (GUN)
- M104, 155 MM, SMOKE, WP OR FS
- M106, 8-INCH, HE
- M121, 155-MM, GAS, VX
- M121A1, 155-MM, GAS, VX OR GB
- M122, 155-MM, GAS, GB

N.E.W. 24.00 G

## U.S. PROJECTILE FUZE, PD, M572

Ordnance used with:

M1, 105-MM, HE

M106, 8-INCH, HE

M110, 155 MM, SMOKE, WP (HOWITZER)

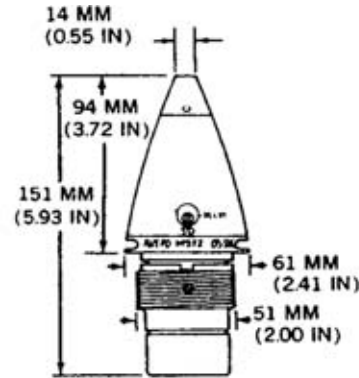
M110A1, 155 MM, SMOKE, WP (HOWITZER)

M110A2, 155 MM, SMOKE, WP (HOWITZER)

M110E3, 155 MM, SMOKE, WP (HOWITZER)

M356 (T15E3), 120-MM, HE-T

N.E.W. 24.00 G



## U.S. PROJECTILE FUZES, PD, M739 & M739A1

Ordnance used with:

M1, 105-MM, HE

M106, 8-INCH, HE

M110, 155 MM, SMOKE, WP (HOWITZER)

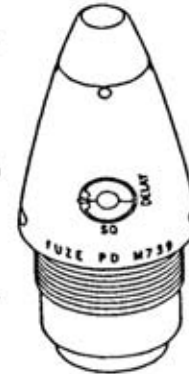
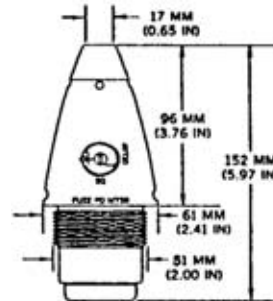
M110A1, 155 MM, SMOKE, WP (HOWITZER)

M110A2, 155 MM, SMOKE, WP (HOWITZER)

M110E3, 155 MM, SMOKE, WP (HOWITZER)

M121, 155-MM, GAS, VX

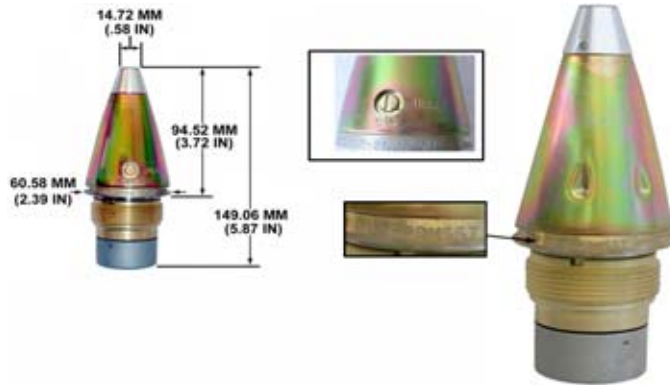
N.E.W. 29.00 G



**UNKNOWN COUNTRY PROJECTILE FUZE, MTSQ,  
M564**



**UNKNOWN COUNTRY PROJECTILE FUZE, PD, PDM  
557**

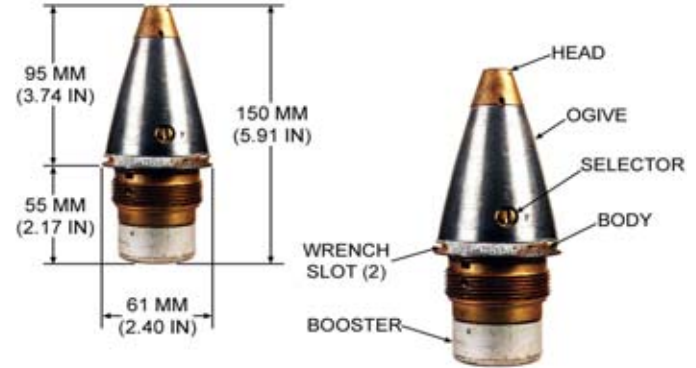


Ordnance used with:  
M125A1, BOOSTER

## YUGOSLAV PROJECTILE FUZE, PD, M51A5

Ordnance used with:

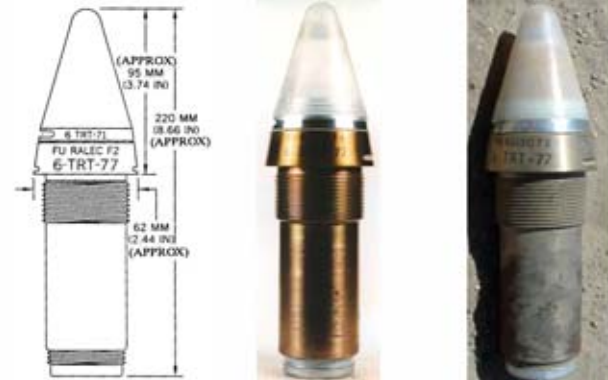
M110, 155 MM, SMOKE, WP (HOWITZER)  
M110A1, 155 MM, SMOKE, WP (HOWITZER)  
M110A2, 155 MM, SMOKE, WP (HOWITZER)  
M110E3, 155 MM, SMOKE, WP (HOWITZER)  
56/69, 155-MM, PRACTICE W/ SPOTTING CHARGE  
OX 155 56/69  
M59, 122-MM, HE



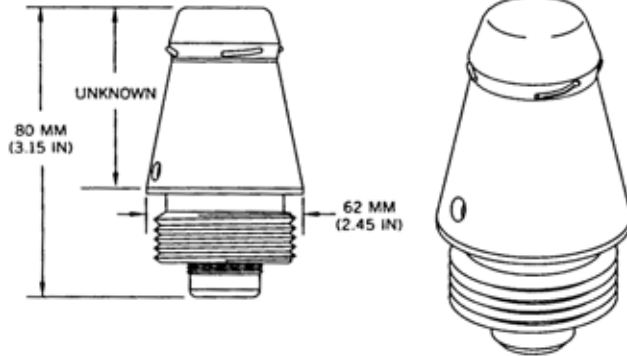
## FRENCH PROJECTILE FUZE, PROXIMITY, FU-RALEC-F2

Ordnance used with:

MODEL 56, 155MM, HE  
MODEL 56/69, 155-MM, HE  
OE 155 56/69, 155-MM, HE  
TYPE 56/69, 155-MM, HE  
F1, 155-MM, PRACTICE  
OX 155 F1  
56/69, 155-MM, PRACTICE W/ SPOTTING CHARGE  
N.E.W. 31.38 G



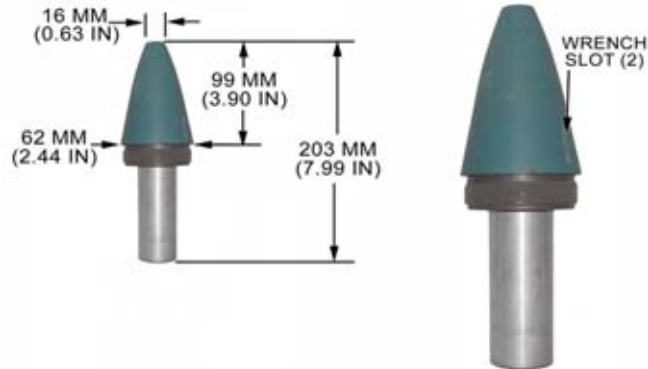
## IRAQI FUZE, MORTAR, PD, MODEL UNKNOWN



Ordnance used with:  
MODEL UNKNOWN, 82-MM, CARTRIDGE, MORTAR, HE  
MODEL UNKNOWN, 82MM, MORTAR, HE

N.E.W. 6.00 G

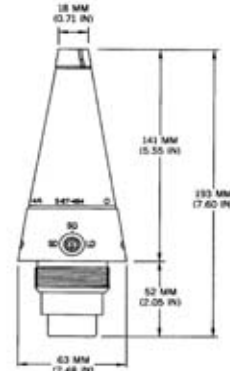
## ITALIAN PROJECTILE FUZE, DUMMY, OP 75 MOD 1/TB 76



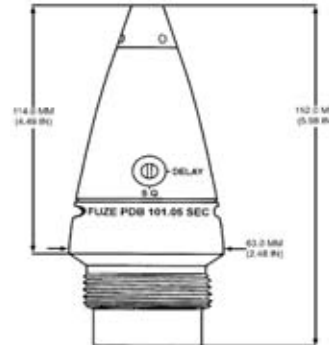


## CHINESE ROCKET FUZES, PD MJ-4 AND MJ-4A

Ordnance used with:  
TYPE 81, ROCKET, 122 MM, HE, GROUND



## SPANISH PROJECTILE FUZE, PD, PDB 101

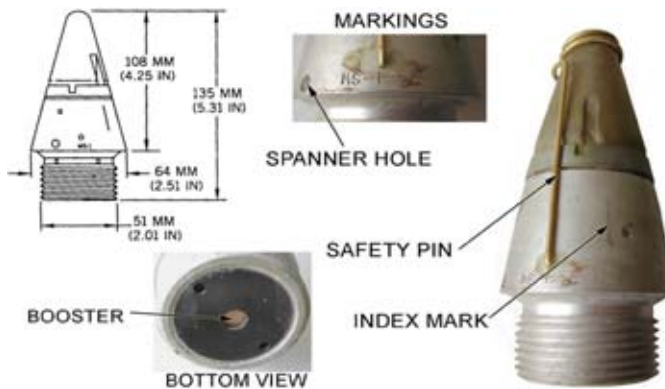




## CHINESE FUZE ADAPTER, PROJECTILE , MODEL UNKNOWN

Ordnance used with:  
ML-5  
ML5, PROJECTILE, PD

N.E.W. 100.00 G



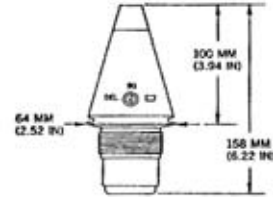
## CHINESE PROJECTILE FUZE, MT, MS-1

Ordnance used with:  
TYPE 54, 122-MM, ILLUM  
TYPE 59, 130-MM, ILLUM  
TYPE 66, 152 MM, ILLUM  
TYPE 83, 122-MM, DPICM  
TYPE 59, 130MM, DPICM  
TYPE 66, 152MM, DPICM

N.E.W. 4.00 G

## CHINESE PROJECTILE FUZE, PD, MODEL ML-7

Ordnance used with:  
TYPE 66 MODIFIED, 152 MM, HE  
TYPE 83, 152 MM, HE

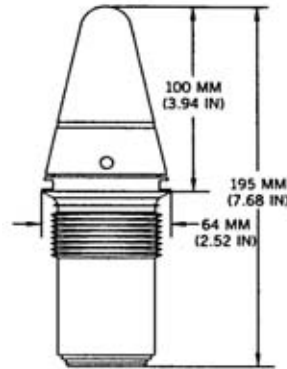


Delay, Super Quick, and  
Instantaneous Settings



## CHINESE PROJECTILE FUZE, PROXIMITY/PD, MD-11

Ordnance used with:  
TYPE 59, 130MM, HE  
TYPE 66 MODIFIED, 152 MM, HE  
TYPE 59 MODIFIED, PROJECTILE, 130-MM, HE



N.E.W. 13.82 G



## CHINESE PROJECTILE FUZE, PROXIMITY/PD, MD-11A

Ordnance used with:  
TYPE 59, 130MM, HE  
TYPE 59 MODIFIED, PROJECTILE, 130-MM, HE



## CHINESE PROJECTILE FUZE, PROXIMITY/PD, MD-12A

N.E.W. 80.02 G

## CHINESE PROJECTILE FUZE, PTT, MS-3A

Ordnance used with:

TYPE 86

TYPE W86

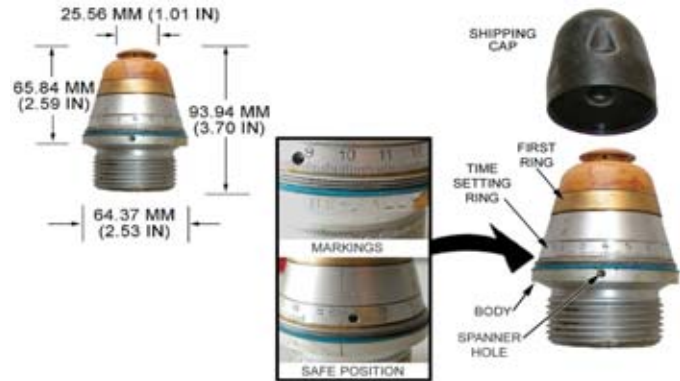
W86, 120MM, MORTAR, DPICM

TYPE 55, 120 MM, ILLUM, MORTAR

TYPE 53, 82MM, MORTAR, ILLUM

UNKNOWN, 82 MM, MORTAR, ILLUM

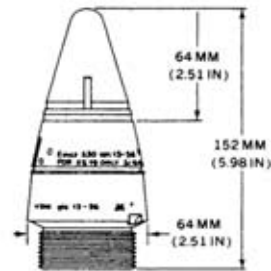
TYPE 71, 100 MM, MORTAR, ILLUMINATION



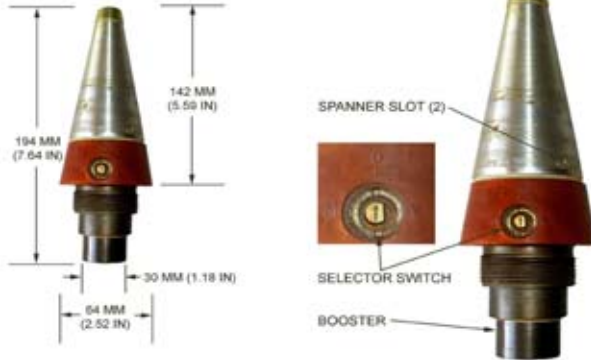
## CZECHOSLOVAKIAN PROJECTILE FUZE, MT, VDM

Ordnance used with:

UNKNOWN, 100 MM, HE



## CZECHOSLOVAKIAN ROCKET FUZES, PD, MRV

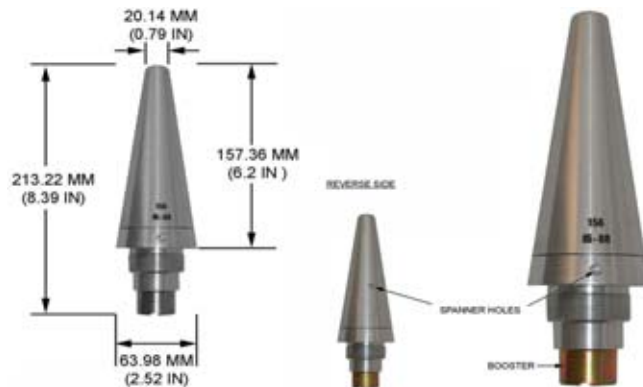


## FRENCH PROJECTILE FUZE, PROXIMITY, PF 130



N.E.W. 12.00 G

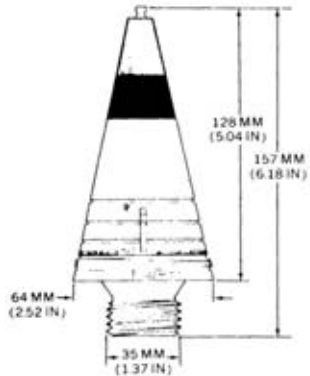
## FRENCH ROCKET FUZE, PD, ALL-WAY ACTING, 156



N.E.W. 28.00 G

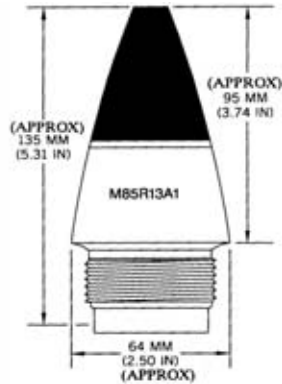
## FRENCH ROCKET FUZE, PD, S21





## GERMAN (PEOPLE'S REPUBLIC) ROCKET FUZE, T, MODEL T-7

Ordnance used with:  
 FLG-5000/M68, 116MM, ILLUMINATION  
 MODEL UNKNOWN, 116 MM, ILLUMINATION  
 ATI 5000 (AIR TARGET IMITATOR)  
 ATI 5000 (S) (AIR TARGET IMITATOR)



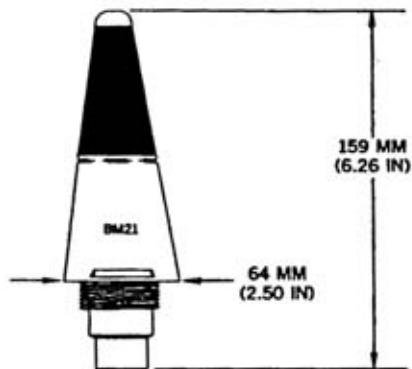
## SOUTH AFRICAN PROJECTILE FUZE, PROXIMITY, M85R13A1



**SOUTH AFRICAN PROJECTILE FUZE, PROXIMITY/PD,  
M85R13**



**SOUTH AFRICAN ROCKET FUZE, PROXIMITY BM21**





**SPANISH PROJECTILE FUZE, PDSQ, PDB 102**

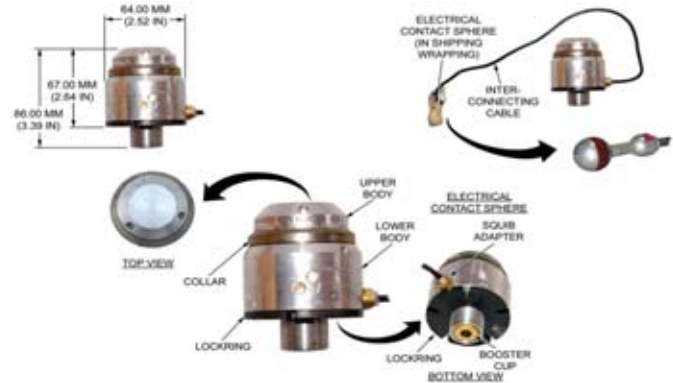


**U.S.S.R. BOMB FUZE, ATK-EA**

Ordnance used with:  
RBK-250-275, DISPENSER  
RBK-500 AO-2.5 RTM, CLUSTER BOMB

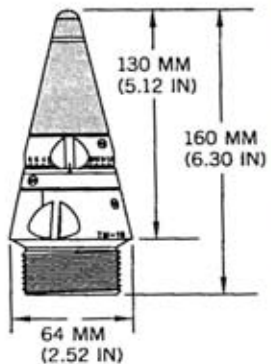
## U.S.S.R. BOMB FUZE, MT, ATK-EB

Ordnance used with:  
RBK-250-275, DISPENSER  
ZAB-50TG TYPE C, BOMB, INCENDIARY  
PTAB-500-225, CLUSTER/DISPENSER  
RBK-500-225, CLUSTER/DISPENSER  
RBK-250, DISPENSER



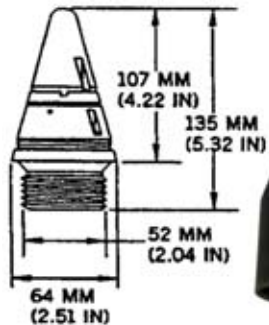
## U.S.S.R. BOMB FUZE, NOSE OR TAIL, ALL-WAY ACTING, EMV-538





### U.S.S.R. PROJECTILE FUZE, MT, TM-16L

Ordnance used with:  
SP-46, 130-MM, ILLUMINATION

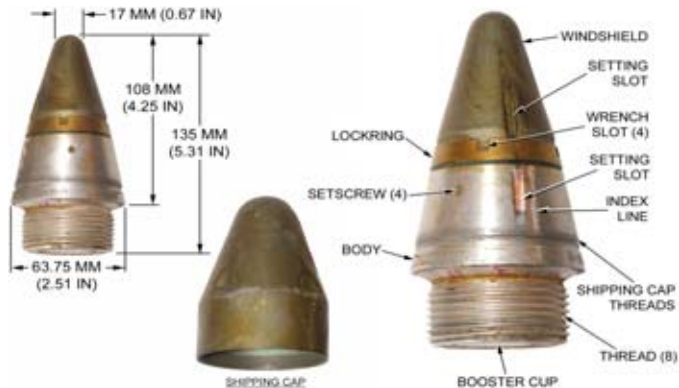


### U.S.S.R. PROJECTILE FUZE, MT, VM-30

Ordnance used with:  
O-415, 100-MM, HE-FRAG

N.E.W. 6.00 G

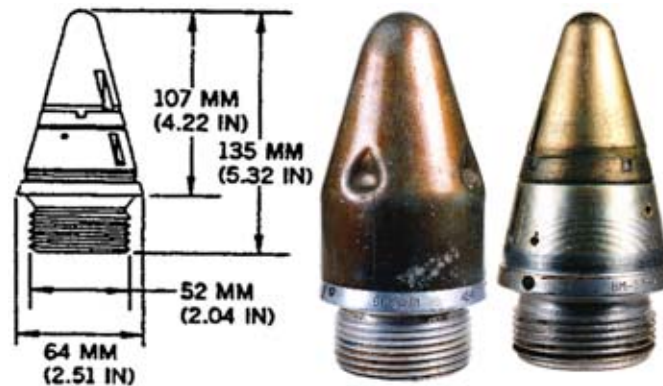
## U.S.S.R. PROJECTILE FUZE, MT, VM-30-L1



N.E.W. 58.68 G

## U.S.S.R. PROJECTILE FUZE, MT, VM-30L

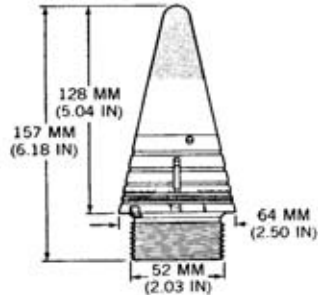
Ordnance used with:  
O-415, 100-MM, HE-FRAG



N.E.W. 6.00 G



## U.S.S.R. PROJECTILE FUZE, PROXIMITY, LASER, MODEL UNKNOWN



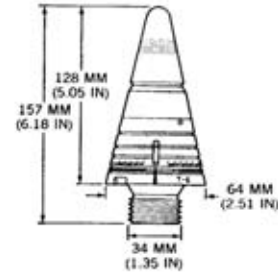
## U.S.S.R. PROJECTILE FUZES, TIME, T-5 & T-11

Ordnance used with:  
 O-365, 85-MM, PROJECTILE, HE, (2 PIECE)  
 UO-365, 85-MM, CARTRIDGE, HE  
 UO-365K, 85-MM, CARTRIDGE, FRAG  
 M69, 85-MM, HE  
 O-365 (ONE-PIECE), 85-MM, HE-FRAG

N.E.W. 0.16 LB

## U.S.S.R. PROJECTILE FUZES, TSQ, T-6; & T OR TSQ, T-7

Ordnance used with:  
OS-464, 122-MM, ILLUM  
A-462, 122-MM, PROPAGANDA  
S-463, 122-MM, ILLUM  
S-463ZH, 122-MM, ILLUM  
SH-354G, 76-MM, SHRAPNEL

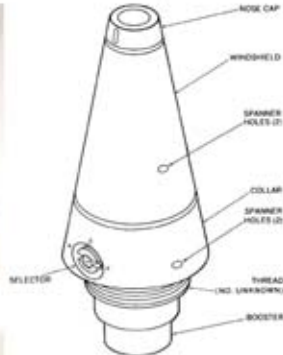
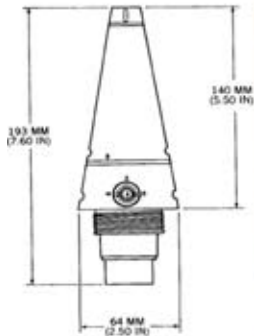


N.E.W. 10.00 G

## U.S.S.R. ROCKET FUZE, MT, TM-120

Ordnance used with:  
9N128K1, WARHEAD, 220MM, CARGO





### U.S.S.R. ROCKET FUZE, PD, MRV-42M

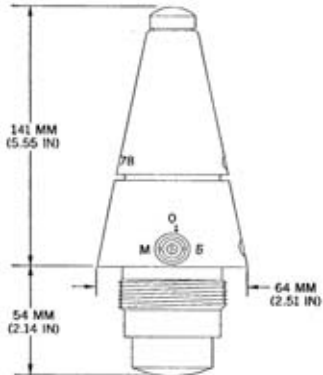
Ordnance used with:

9M22M, 122 MM, HE-FRAG, 6 FOOT

SAKR-10

UNKNOWN, 122MM, HE, TWO-STAGE, SURFACE-TO-SURFACE

N.E.W. 88.00 G



### U.S.S.R. ROCKET FUZE, PD, MRV-U

Ordnance used with:

9M22M, 122 MM, HE-FRAG, 6 FOOT

SAKR-10

9M22U, 122 MM, HE-FRAG, 9 FOOT

UNKNOWN, 122MM, HE, TWO-STAGE, SURFACE-TO-SURFACE

MDL UNK, WARHEAD, 122 MM, CHEMICAL, NON-PERSISTANT

9M27F, 220MM, HE

9N128F, WARHEAD, 220MM, HE

N.E.W. 29.00 G



## BRAZILIAN ROCKET FUZE, PD, M20-C1

Ordnance used with:

SS-15, 127-MM, HE (ASTROS II)

SS-15, 127MM, HE, GROUND

SS-30, 127-MM, HE (ASTROS II)

SS30, 127MM, HE, GROUND

SS-40, 180-MM, HE (ASTROS II)

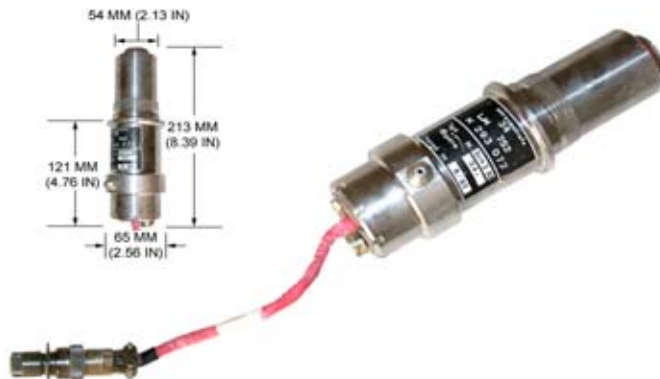
SS-60, 300-MM, HE (ASTROS II)

SS-80, 300-MM, HE, SURFACE-TO-SURFACE

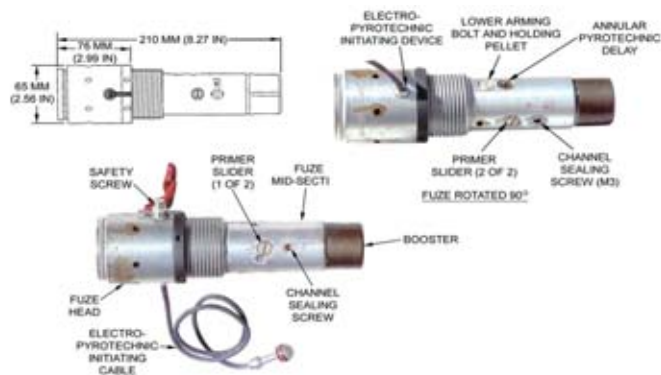


## FRENCH BOMB FUZE, TYPE 130





**FRENCH FUZE, TYPE UNKNOWN, AEROSPATIALE 34**



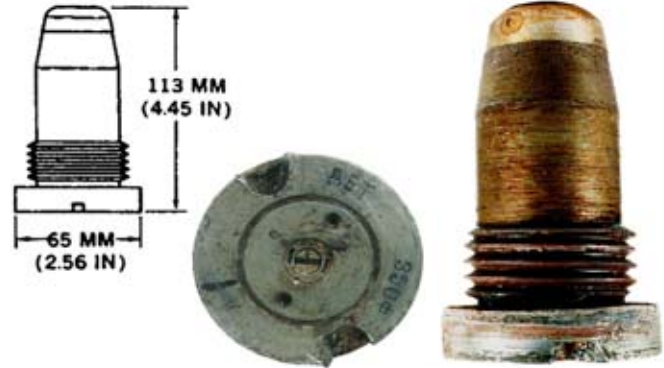
**U.S.S.R. BOMB FUZE, NOSE AND TAIL, IMPACT INERTIA, AVU-ET**

Ordnance used with:  
 OFAB 100 120, BOMB, FRAG  
 KAB-500KR, TV GUIDED  
 FAB-100 M80, BOMB, GP, 100 KG  
 UNKNOWN, GUIDANCE KIT  
 PF.K ZB-500SH, BOOSTER, INCENDIARY  
 KAB 500KR, BOMB, CONCRETE PIERCING

N.E.W. 59.44 G

## U.S.S.R. PROJECTILE FUZE, BD, DBT

Ordnance used with:  
G-530, 152-MM, CP  
G-572, 180-MM, CP  
G620SH, 203-MM, CP  
G620T, 203-MM, CP  
G530ZH, 152-MM, CP

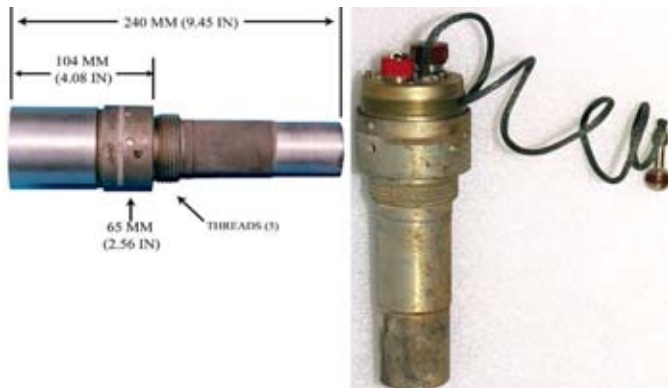


N.E.W. 80.00 G

## FRENCH PROJECTILE FUZE, MT, FR55B

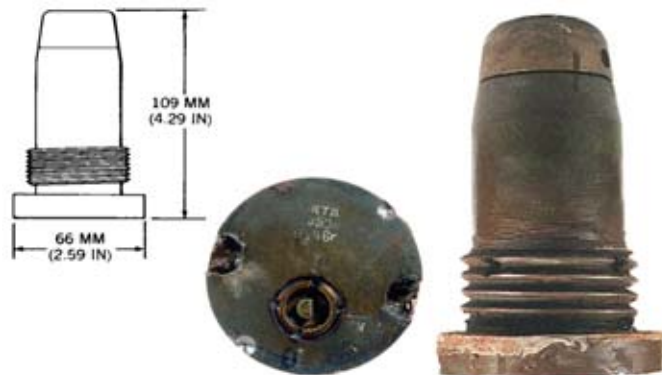
Ordnance used with:  
120-MM, PR.M., ILLUMINATION, MORTAR, CARTRIDGE  
120-MM, PR.M., ILLUMINATION, MORTAR,





### U.S.S.R. BOMB FUZE, NOSE AND TAIL, IMPACT, AV 527

Ordnance used with:  
ZAB 500 SH, BOMB, INCENDIARY, 500 KG  
KP-527, PARACHUTE DEPLOYMENT MECHANISM



### U.S.S.R. PROJECTILE FUZE, BD, KDT

Ordnance used with:  
G 620, 203-MM, CP  
G-471, 122-MM, CP  
G471, 122 MM, CP  
G-530, 152-MM, CP  
G620T, 203-MM, CP

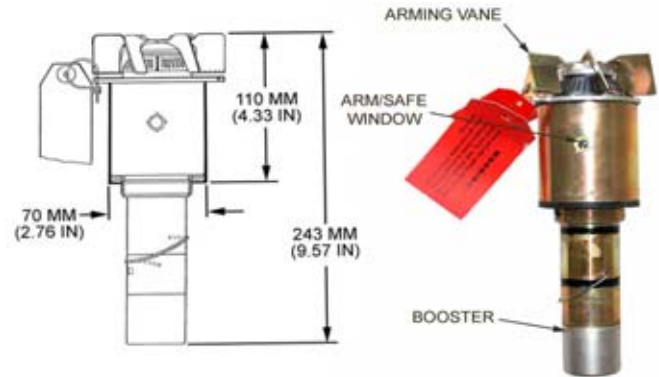
**MODEL UNKNOWN, FIRING DEVICE, IMPROVISED,  
RADIO CONTROLLED, SEGA, CAR ALARM**

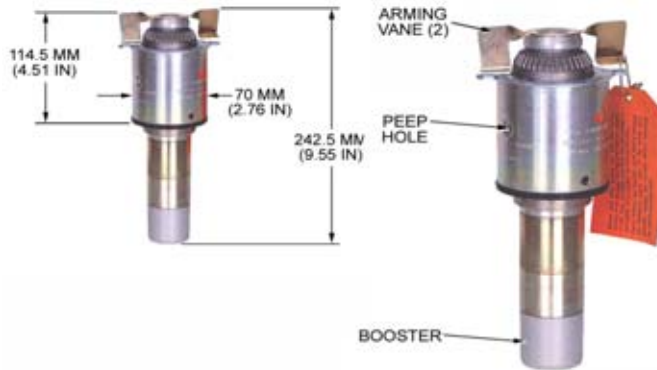


**SPANISH BOMB FUZE, NOSE, IMPACT, KAPPA III;  
KAPPA 3**

Ordnance used with:

- BRIP-400, BOMB, PARACHUTE RETARDED
- BRP 250, GP, PARACHUTE RETARDED
- BRP-125, BOMB, PARACHUTE RETARDED
- BRP, 500 KG, PARACHUTE RETARDED
- BRP-500, 500-KG, RETARDED, GENERAL PURPOSE (GP)
- BRP-500, PARACHUTE RETARDED
- BRP 375, GP, PARA RETARDED





## SPANISH BOMB FUZE, NOSE, IMPACT, MU-09

Ordnance used with:  
 BR-82, BOMB, (TYPE MK 82)  
 BRF 1000, BOMB, FRAG  
 BRF 250, BOMB, FRAG  
 BRF 500, BOMB, FRAG  
 BRI-400, BOMB, GP, 400 KG, BRI-400  
 BR 250, BOMB, GP

N.E.W. 72.00 KG



**BOTTOM VIEW**



**TOP VIEW**



## UNKNOWN COUNTRY BOOSTER, MODEL UNKNOWN

## FRENCH BOMB FUZE, TAIL, IMPACT, TYPE 13 B



## U.S. BOMB FUZE, ELECTRONIC, NOSE AND/OR TAIL, IMPACT, FMU-139/B

Ordnance used with:

BLU-110A/B, BOMB, GPLD, 1,000 LB

BLU-111A/B, BOMB, GPLD, 500 LB

DSU-30/B, BOMB TARGET DETECTING DEVICE

DSU-33A(D-2)/B, SENSING ELEMENT, DUMMY

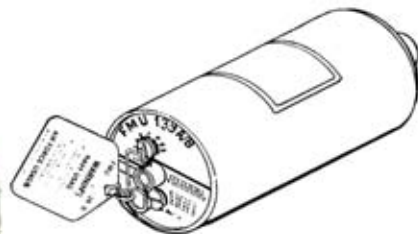
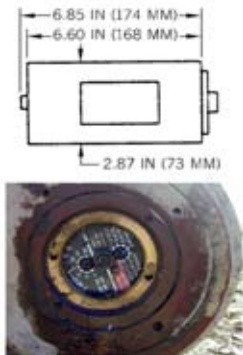
DSU-33A/B, SENSING ELEMENT, PROXIMITY

GBU-10/B, BOMB UNIT, GUIDED

GBU-10A/B, BOMB UNIT, GUIDED

N.E.W. 129.00 G





## U.S. BOMB FUZES, ELECTRONIC, NOSE AND/OR TAIL, IMPACT, FMU-139A/B AND FMU-139B/B

Ordnance used with:

BLU-110A/B, BOMB, GPLD, 1,000 LB

BLU-111A/B, BOMB, GPLD, 500 LB

DSU-30/B, BOMB TARGET DETECTING DEVICE

DSU-33A(D-2)/B, SENSING ELEMENT, DUMMY

DSU-33A/B, SENSING ELEMENT, PROXIMITY

GBU-10/B, BOMB UNIT, GUIDED

GBU-10A/B, BOMB UNIT, GUIDED

N.E.W. 129.00 G



## CHILEAN BOMB FUZE, NOSE, IMPACT, MF 1000



## U.S. BOMB FUZE, NOSE & TAIL, MULTIPURPOSE, FMU-26/B

Ordnance used with:

M117A3

BLU-110A/B, BOMB, GPLD, 1,000 LB

BLU-111A/B, BOMB, GPLD, 500 LB

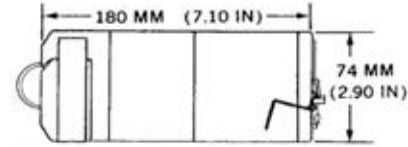
GBU-10/B, BOMB UNIT, GUIDED

GBU-10A/B, BOMB UNIT, GUIDED

GBU-11/B, BOMB UNIT, GUIDED

GBU-11A/B, BOMB UNIT, GUIDED

N.E.W. 53.00 G



## U.S. BOMB FUZE, NOSE & TAIL, MULTIPURPOSE, FMU-26A/B

Ordnance used with:

M117A3

BLU-110A/B, BOMB, GPLD, 1,000 LB

BLU-111A/B, BOMB, GPLD, 500 LB

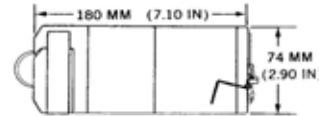
GBU-10/B, BOMB UNIT, GUIDED

GBU-10A/B, BOMB UNIT, GUIDED

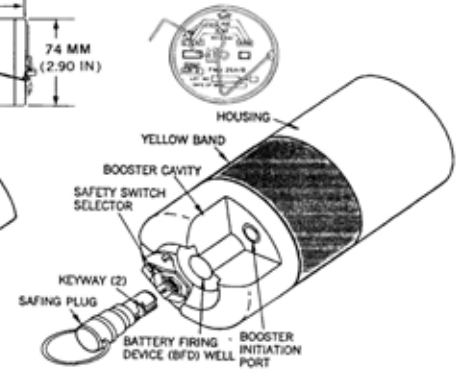
GBU-11/B, BOMB UNIT, GUIDED

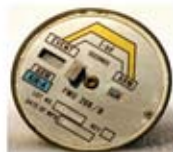
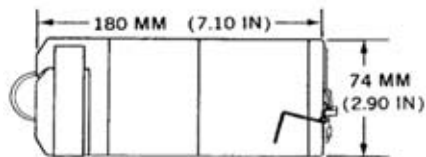
GBU-11A/B, BOMB UNIT, GUIDED

N.E.W. 52.00 G



FZU-1/B BOOSTER





## U.S. BOMB FUZE, NOSE & TAIL, MULTIPURPOSE, FMU-26B/B

Ordnance used with:

M117A3

BLU-110A/B, BOMB, GPLD, 1,000 LB

BLU-111A/B, BOMB, GPLD, 500 LB

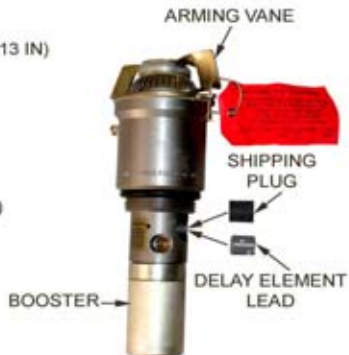
GBU-10/B, BOMB UNIT, GUIDED

GBU-10A/B, BOMB UNIT, GUIDED

GBU-10C/B, BOMB UNIT, GUIDED

GBU-10D/B, BOMB UNIT, GUIDED

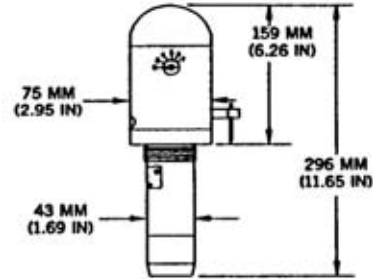
N.E.W. 52.00 G



## UNKNOWN COUNTRY BOMB FUZE, NOSE, RM-904

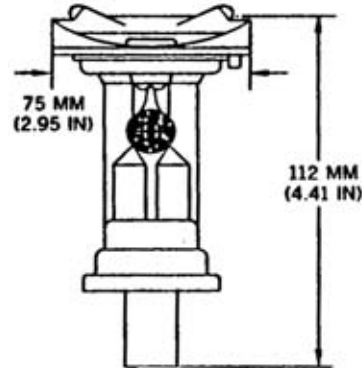
## SPANISH BOMB FUZE, NOSE, TIME (ELECTROMECHANICAL) TF-4000-E

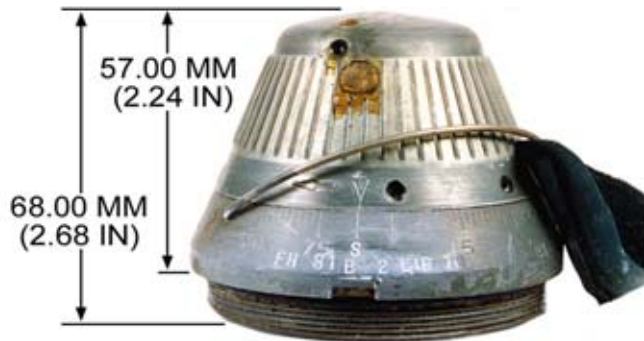
Ordnance used with:  
TF-5000, TRANSVERSE, MT, SHORT DELAY  
ASH-250, RETARDED GENERAL PURPOSE BOMB



## SPANISH BOMB FUZE, TRANSVERSE, IMPACT (ALL-WAY ACTION), GAMMA; GAMA-R

Ordnance used with:  
BRP 250, GP, PARACHUTE RETARDED  
BRP-125, BOMB, PARACHUTE RETARDED  
BRP, 500 KG, PARACHUTE RETARDED  
BRP-500, 500-KG, RETARDED, GENERAL PURPOSE (GP)  
BRP-500, PARACHUTE RETARDED  
BRP 375, GP, PARA RETARDED  
BRP 50, GP, PARACHUTE RETARDED





## FRENCH PROJECILE FUZE, MT, FH-81B

Ordnance used with:

L28A2, 81 MM, MORTAR, ILLUMINATION

M68, 81MM, ILLUM

MK 68, 81MM, ILLUM

1962

81 HB 62

MK 62, CARTRIDGE, 81-MM, ILLUM

MK 62 ED, CARTRIDGE, 120-MM, ILLUMINATING



## IRAQI ROCKET FUZE, PROXIMITY, BM21, MODIFIED

Ordnance used with:

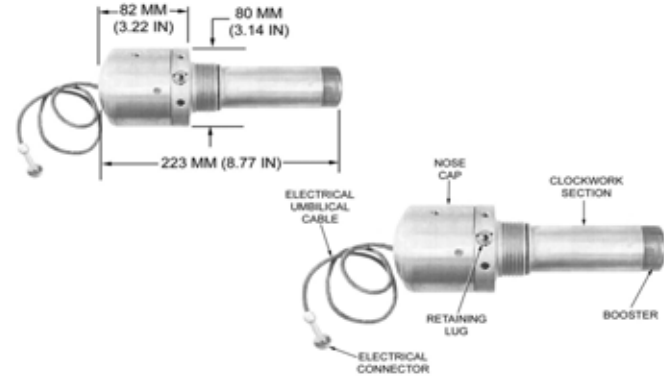
S-25 OFM, 266-MM, AIR-TO-SURFACE, HE (340-MM)

S-25 OFME, 266-MM, AIR-TO-SURFACE, HE (340-MM) (EXPORT)

AS-7B, KERRY, KH-23M

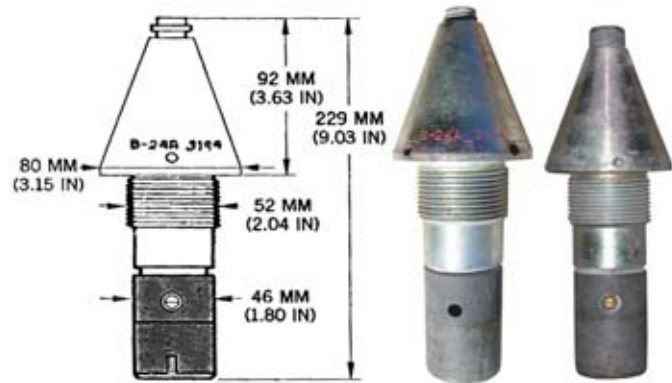
## U.S.S.R. BOMB FUZE, NOSE AND TAIL, LONG DELAY, AVPZ

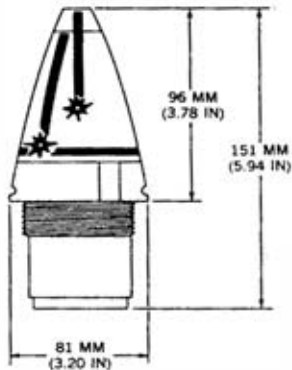
Ordnance used with:  
FAB-1500 M54, BOMB, GENERAL PURPOSE  
FAB-3000 M54, GENERAL PURPOSE



## U.S.S.R. ROCKET FUZE, NOSE, PD, V-24A

Ordnance used with:  
F-961, 240 MM, SPIN STABILIZED, HE, SURFACE-TO-SURFACE  
F-961U, 240 MM, SPIN STABILIZED, HE, SURFACE-TO-SURFACE  
S-24, 240-MM, FIXED FIN, HE, AIR-TO-SURFACE





## FRENCH PROJECTILE FUZE, PROXIMITY, MODEL FU-RALEC-DE-F3

Ordnance used with:  
 MODEL 56, 155MM, HE  
 MODEL 56/69, 155-MM, HE  
 OE 155 56/69, 155-MM, HE  
 TYPE 56/69, 155-MM, HE  
 F1, 155 MM, HE  
 OE 155 F1, 155-MM, HE  
 SVT 75, S&A DEVICE, FUZE

N.E.W. 22.00 G



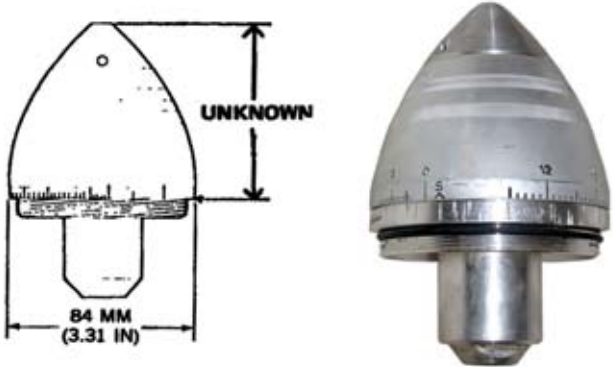
## SOUTH AFRICAN BOMB FUZE, NOSE, PROXIMITY, AB 103

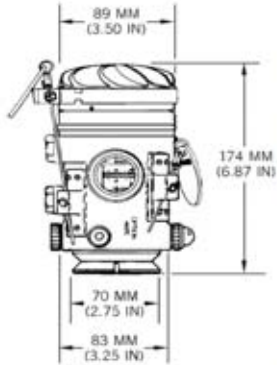
**SOUTH AFRICAN BOMB FUZE, PROXIMITY, AB 108**



**SWEDISH PROJECTILE FUZE, TIME & IMPACT, FFV 64C**

Ordnance used with:  
FFV 64D, 84-MM, CARTRIDGE, APERS  
L43A1, 84MM, CARTRIDGE, APERS  
FFV 64D, 84-MM, APERS  
L43A1, 84MM, APERS





### U.S. BOMB FUZE, NOSE, MT, MK 339 MOD 0

Ordnance used with:

MJU-1/B, 750 LB, COUNTERMEASURES (CHAFF)

MK 7 MOD 2, DISPENSER

MK 7 MOD 3, DISPENSER

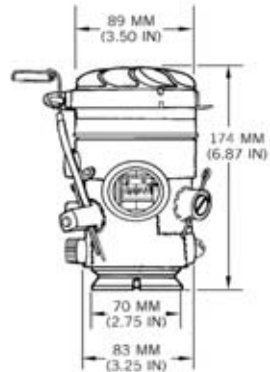
MK 7 MOD 4, DISPENSER

MK 7 MOD 6, DISPENSER

SUU-30A/B, DISPENSER

SUU-30B/B, DISPENSER

N.E.W. 6.00 G



### U.S. BOMB FUZE, NOSE, MT, MK 339 MOD 1

Ordnance used with:

MJU-1/B, 750 LB, COUNTERMEASURES (CHAFF)

MK 7 MOD 2, DISPENSER

MK 7 MOD 3, DISPENSER

MK 7 MOD 4, DISPENSER

MK 7 MOD 6, DISPENSER

SUU-30/B, DISPENSER

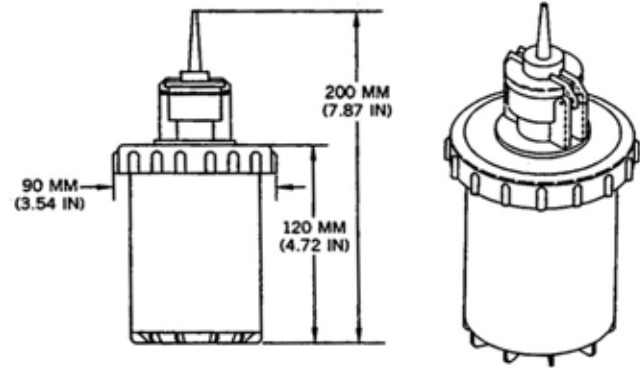
SUU-30A/B, DISPENSER

N.E.W. 0.27 G

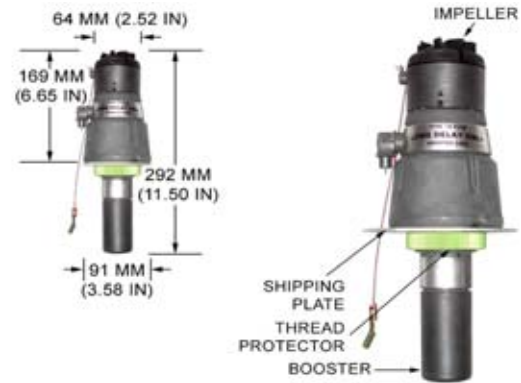


## ITALIAN LANDMINE, P-40 TYPE 1

Ordnance used with:  
P-25, APERS, HE  
P-40 TYPE 1, APERS, BOUNDING  
P-40 TYPE 2, APERS



## FRENCH BOMB FUZE, NOSE, LONG DELAY, MATRA, TYPE 19, (MODIFIED)





**TERRORIST/INSURGENT & GUERRILLA ORG FIRING  
DEVICE, IMPROVISED, RADIO CONTROLLED (R/C),  
WIRELESS DOORBELL, QUSUN**



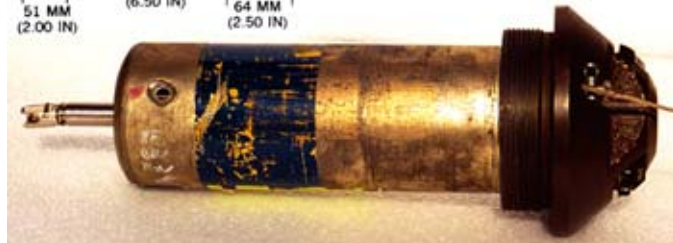
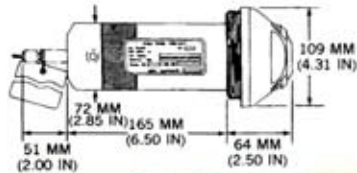
**TERRORIST/INSURGENT & GUERRILLA ORG FIRING  
DEVICE, IMPROVISED, RADIO CONTROLLED (R/C),  
WIRELESS DOORBELL, QUSUN**

**TERRORIST/INSURGENT & GUERRILLA ORG FIRING  
DEVICE, IMPROVISED, RADIO CONTROLLED (R/C),  
WIRELESS DOORBELL, QUSUN**



**TERRORIST/INSURGENT & GUERRILLA ORG FIRING  
DEVICE, IMPROVISED, RADIO CONTROLLED (R/C),  
WIRELESS DOORBELL, QUSUN**



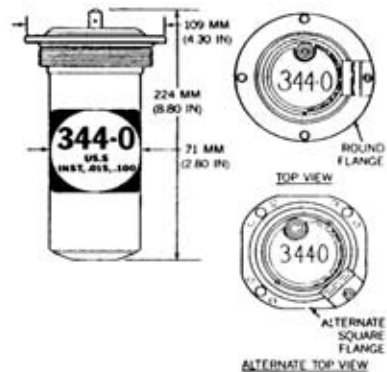


## U.S. BOMB FUZE, IMPACT, SHORT-DELAY, NOSE AND/OR TAIL, FMU-81/B

Ordnance used with:

GBU-10/B, BOMB UNIT, GUIDED  
 GBU-10A/B, BOMB UNIT, GUIDED  
 GBU-10C/B, BOMB UNIT, GUIDED  
 GBU-10D/B, BOMB UNIT, GUIDED  
 GBU-10E/B, BOMB UNIT, GUIDED  
 GBU-11/B, BOMB UNIT, GUIDED  
 GBU-11A/B, BOMB UNIT, GUIDED

N.E.W. 50.00 G



## U.S. BOMB FUZE, TAIL, ELECTRIC, MK 344 MOD 0

Ordnance used with:

M117A3  
 BDU-45/B, BOMB UNIT, SIMULATED  
 DSU-30/B, BOMB TARGET DETECTING DEVICE  
 DSU-33A(D-2)/B, SENSING ELEMENT, DUMMY  
 DSU-33A/B, SENSING ELEMENT, PROXIMITY  
 GBU-10/B, BOMB UNIT, GUIDED  
 GBU-10A/B, BOMB UNIT, GUIDED

N.E.W. 114.00 G

## U.S. BOMB FUZE, TAIL, ELECTRIC, MK 344 MOD 1

Ordnance used with:

M117A3

BDU-45/B, BOMB UNIT, SIMULATED

DSU-30/B, BOMB TARGET DETECTING DEVICE

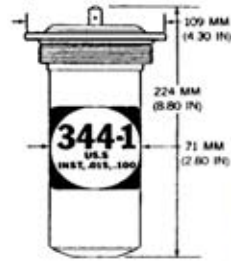
DSU-33A(D-2)/B, SENSING ELEMENT, DUMMY

DSU-33A/B, SENSING ELEMENT, PROXIMITY

GBU-10/B, BOMB UNIT, GUIDED

GBU-10A/B, BOMB UNIT, GUIDED

N.E.W. 114.00 G



## U.S. BOMB FUZE, TAIL, ELECTRIC, MK 376 MOD 0

Ordnance used with:

BDU-45/B, BOMB UNIT, SIMULATED

DSU-30/B, BOMB TARGET DETECTING DEVICE

DSU-33A(D-2)/B, SENSING ELEMENT, DUMMY

DSU-33A/B, SENSING ELEMENT, PROXIMITY

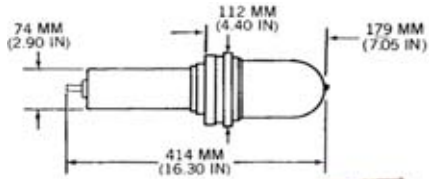
GBU-10/B, BOMB UNIT, GUIDED

GBU-10A/B, BOMB UNIT, GUIDED

GBU-12/B, BOMB UNIT, GUIDED

N.E.W. 114.00 G





## U.S. BOMB FUZE, PROXIMITY, FMU-56B/B

Ordnance used with:

MK 7 MOD 2, DISPENSER

MK 7 MOD 3, DISPENSER

MK 7 MOD 4, DISPENSER

MK 7 MOD 6, DISPENSER

SUU-30B/B, DISPENSER

SUU-30H/B, DISPENSER

SUU-51A/B, DISPENSER, AIRCRAFT

N.E.W. 5.50 G

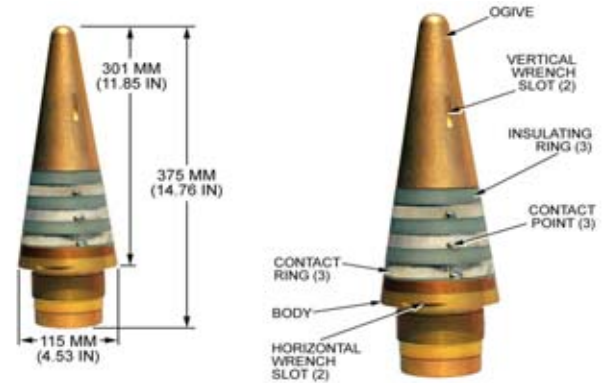


## U.S.S.R. DEPTH CHARGE FUZE, TIME, K-3M

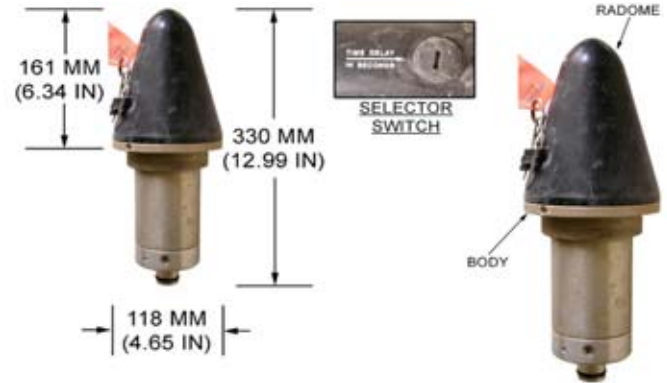
## YUGOSLAV ROCKET FUZE, ELECTRONIC TIME, UTE, M85B

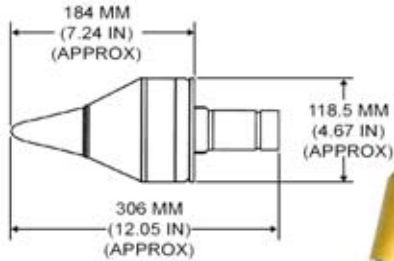
Ordnance used with:  
ABABEL 50, 262MM, HE, M87

N.E.W. 7.50 G



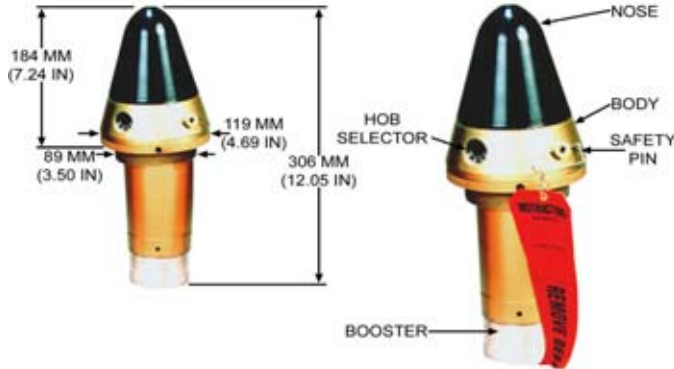
## SOUTH AFRICAN BOMB FUZE, NOSE, PROXIMITY, JUPITER 3





### SOUTH AFRICAN BOMB FUZE, NOSE, PROXIMITY, JUPITER 4

Ordnance used with:  
BL 74  
BL EU2FR, 250 KG, HE/FRAG



### SOUTH AFRICAN BOMB FUZE, NOSE, PROXIMITY, JUPITER 6

Ordnance used with:  
CB 470, CLUSTER BOMB, 450 KG  
MK 83, BOMB, FRAGMENTATION, 415 KG  
MK 82, BOMB, FRAGMENTATION, 226 KG  
MK 81, BOMB, FRAGMENTATION, 122 KG

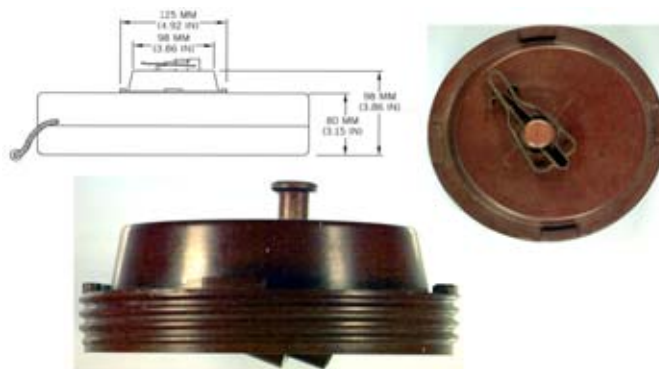


## U.S.S.R. FIRING DEVICE, GP



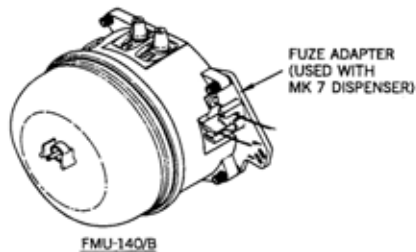
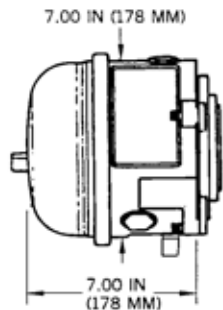
## ROMANIAN LANDMINE FUZE, AT, P-62

Ordnance used with:  
MAT-76, ANTITANK





## UNKNOWN COUNTRY ROCKET FUZE, TYPE AND MODEL UNKNOWN



## U.S. BOMB FUZE, NOSE, PROXIMITY, FMU-140/B

Ordnance used with:  
 MK 7 MOD 2, DISPENSER  
 MK 7 MOD 3, DISPENSER  
 MK 7 MOD 4, DISPENSER  
 MK 7 MOD 6, DISPENSER  
 SUU-58/B, DISPENSER  
 CBU-99A/B  
 SUU-75A/B, DISPENSER  
 N.E.W. 0.00 LB

## U.S. BOMB FUZE, NOSE, PROXIMITY, FMU-140A/B

Ordnance used with:

MK 7 MOD 2, DISPENSER

MK 7 MOD 3, DISPENSER

MK 7 MOD 4, DISPENSER

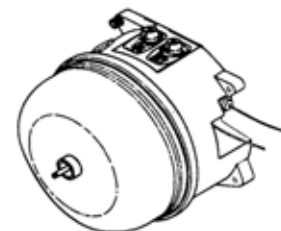
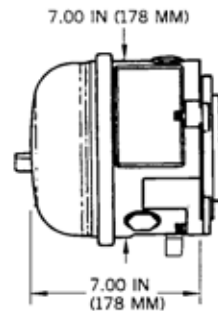
MK 7 MOD 6, DISPENSER

SUU-58/B, DISPENSER

SUU-75/B, DISPENSER

CBU-99B/B

N.E.W. 1.00 G



FMU-140A/B