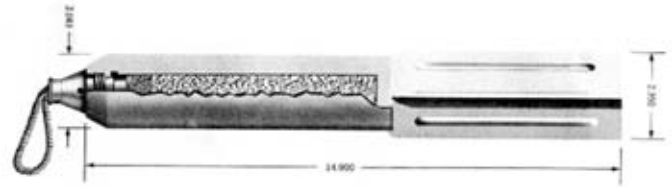


U.S.S.R. BOMB, FRAG, AO-2.5

Ordnance used with:
AGM 1, BOMB, NOSE
AGM 3, BOMB, NOSE
AM B, BOMB, NOSE
AM B B/V, BOMB, NOSE
TM-4A, NOSE, MT
RBK-250, CLUSTER, ADAPTER
RBK-500, DISP. (OLD STYLE)
N.E.W. 0.09 KG



U.S.S.R. BOMB, HE, AO-1

Ordnance used with:
RBK-250-275, DISP.
RBK-250, DISP.

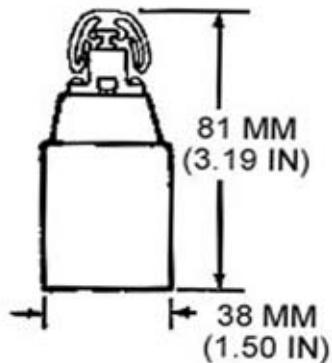




U.S. GRENADE, DP, M42

Ordnance used with:
M483, 155-MM, HE
M483A1, 155-MM, HE
M509A1, 8-INCH, HE
M864, 155-MM, HE, EXTENDED RANGE
FIROS-30, 122-MM, ICM
FIROS-25, 122-MM, ICM
M223, GRENADE FUZE, IMPACT

N.E.W. 33.00 G



U.S. GRENADE, DP, M46

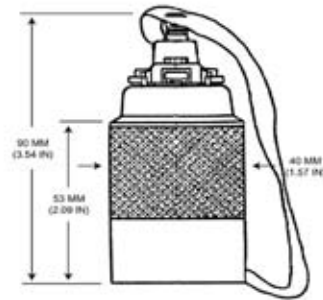
Ordnance used with:
M483, 155-MM, HE
M483A1, 155-MM, HE
M509A1, 8-INCH, HE
M864, 155-MM, HE, EXTENDED RANGE
MK 146 MOD 2, 16-IN, HE
NR269, 155MM, ERFB-BB, HE-ICM
M223, GRENADE FUZE, IMPACT

N.E.W. 33.00 G

YUGOSLAV GRENADE, DP, KB-1

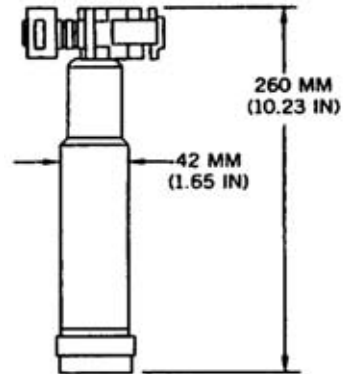
Ordnance used with:
ABABEL 50, 262MM, HE, M87
KRTM-M93, RIFLE, 40MM, HEAT-APERS
M93, 40MM, RIFLE, HEAT-APERS
M87, 262MM, HE

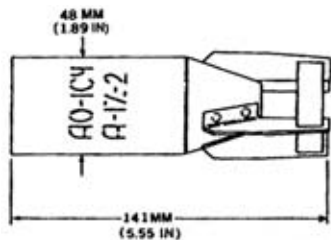
N.E.W. 35.00 G



U.S.S.R. BOMB, HEAT, PTAB-1M

Ordnance used with:
KMGU
KMGU-2, DISPENSER, CAPTIVE
RBK-500 PTAB-1M, CBU
BKF PTAB-1M, SUBMUN. CONTAINER UNIT, BOMB DIS...

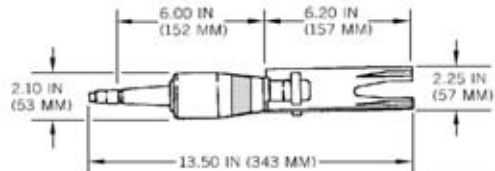




U.S.S.R. BOMB, HE, AO-1 SCH

Ordnance used with:
 AM-A, BOMB, NOSE
 AM A B/V, BOMB, NOSE
 RBK-250-275, DISP.

N.E.W. 51.00 G



U.S. BOMB, HEAT/FRAG, MK 118 MODS 0 & 1

Ordnance used with:
 MK 7 MOD 2, DISP.
 MK 7 MOD 3, DISP.
 MK 7 MOD 4, DISP.
 MK 7 MOD 6, DISP.
 GRM, CLUSTER, GUIDED ROCKEYE MUNITION
 MK 20 MOD 2 CBU
 MK 20 MOD 3 CBU

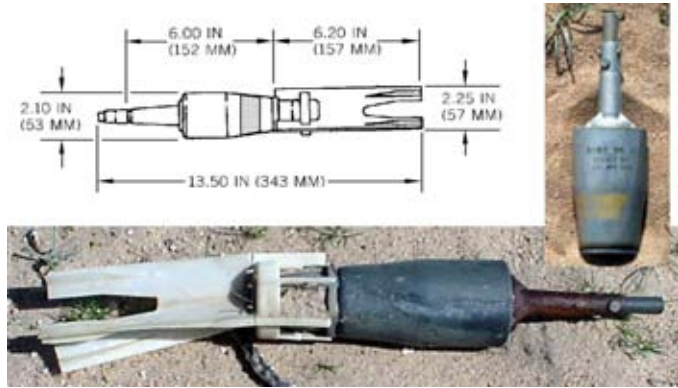
N.E.W. 175.00 G

U.S. BOMB, HEAT/FRAG, VECP MODIFIED

Ordnance used with:

MK 7 MOD 2, DISP.
MK 7 MOD 3, DISP.
MK 7 MOD 4, DISP.
MK 7 MOD 6, DISP.
MK 20 MOD 4 CBU
KMU-388/B, LASER GUIDANCE KIT,
MK 96 MOD 0, ELEC. DET.

N.E.W. 185.50 G

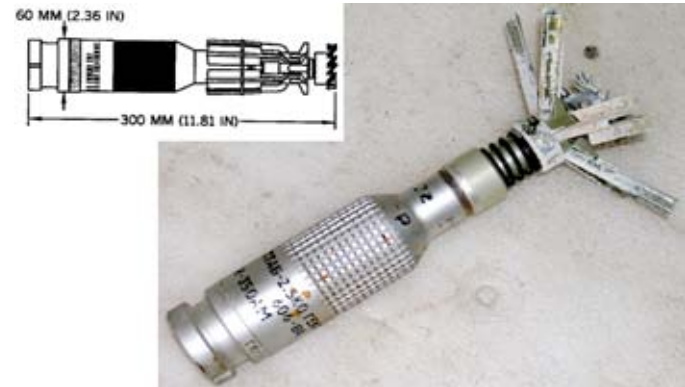


U.S.S.R. BOMB, HEAT/FRAG, PTAB-2.5KO

Ordnance used with:

KMGU
KMGU-2, DISPENSER, CAPTIVE
I-351A, IMPACT
I-351AM, IMPACT, SD
BKF PTAB-2.5 KO, SUBMUN. CTR UNIT, BOMB DISPE...

N.E.W. 200.00 G



U.S.S.R. LANDMINE, APERS, PFM-1 (BIRDMINE)



Ordnance used with:
KMGU
KMGU-2, DISPENSER, CAPTIVE
PKM, PORTABLE LANDMINE DISPENSING SYS.
KSF-1, SUBMUN. CANNISTER, MINE DISPENSING, EX...

U.S.S.R. LANDMINE, SCATTERABLE, AT, PTM-1 (PGMDM)



Ordnance used with:
KMGU
KMGU-2, DISPENSER, CAPTIVE
9M27K2, 220 MM, CARGO
MVDM, TIME/PRESSURE/SD
9N128K2, WARHEAD, 220MM, CARGO
BKF PTM-1S, SUBMUN. CONTAINER UNIT, MINE DISP...

**U.S. BOMB UNITS, LIVE, FRAG/HEAT, BLU-97/B,
BLU-97A/B, AND BLU-97B/B; BOMB UNITS, TRAINING,
BLU-97(T-1)/B, BLU-97(T-1)A/B, BLU-97(T-2)/B**

Ordnance used with:

SUU-65/B, DISP.

MK 10 MOD 0, MISSILE CANISTERING SYS. (USED ...

RGM-109D-3, GUIDED MISSILE, S-TO-S (TOMAHAWK)

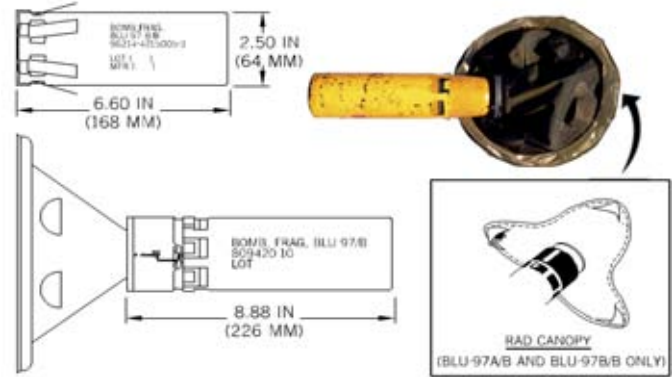
RGM-109D-31, GUIDED MISSILE, S-TO-S (TOMAHAWK)

RGM-109D-4, GUIDED MISSILE, S-TO-S (TOMAHAWK)

RGM-109D-41 GUIDED MISSILE, S-TO-S (TOMAHAWK)

UGM-109D-1, GUIDED MISSILE, SUBMARINE-TOSURFA...

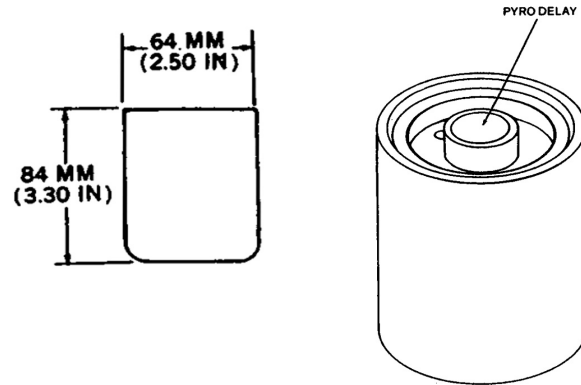
N.E.W. 10.00 OZ

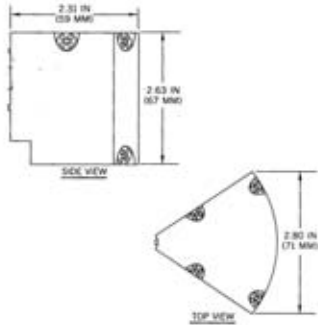


U.S.S.R. BOMB, FRAG, 1.5-KG, MODEL UNKNOWN

Ordnance used with:

PROSAB-250, CBU





U.S. LANDMINE, APERS, M86

N.E.W. 21.00 G



U.S.S.R. LANDMINES, APERS, POM-1 AND POM-1S

Ordnance used with:

KMGU

KMGU-2, DISPENSER, CAPTIVE

PKM, PORTABLE LANDMINE DISPENSING SYS.

KSO-1, SUBMUN. CANISTER, MINE DISPENSING, EXP...

KSO-1S, SUBMUN. CANISTER, MINE DISPENSING, EX...

PKPI, DISPENSER, CAPTIVE, HELICOPTER MOUNTED

PKPI-1

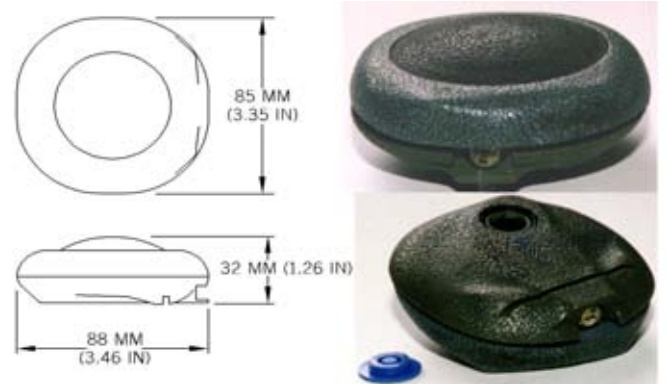
N.E.W. 100.00 G

**ITALIAN LANDMINE, APERS, ANTI-DISTURBANCE,
SB-33/AR; PORTUGUESE M412; SPANISH P-5; AND
GREEK EM-20**

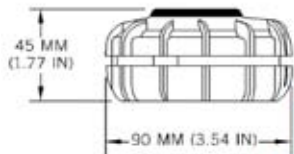


N.E.W. 17.00 G

**ITALIAN LANDMINE, APERS, SB-33; PORTUGUESE
M412; AND SPANISH P-5**



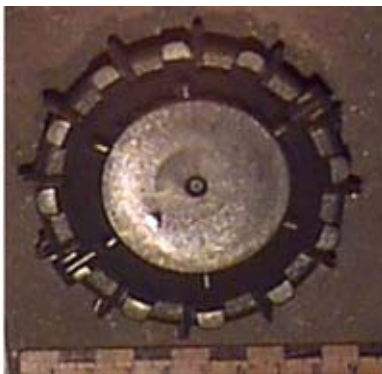
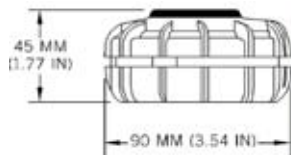
N.E.W. 36.00 G



EGYPTIAN LANDMINE, APERS, T/79

Ordnance used with:
VS-AR4, ANTILIFT DEVICE

N.E.W. 54.00 G



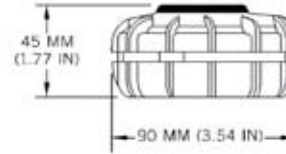
IRANIAN LANDMINE, APERS, YM-I

Ordnance used with:
VS-AR4, ANTILIFT DEVICE

N.E.W. 54.00 G

ITALIAN LANDMINE, APERS, VS-50; AND TRAINING

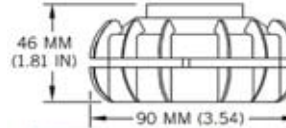
Ordnance used with:
VS-AR4, ANTILIFT DEVICE



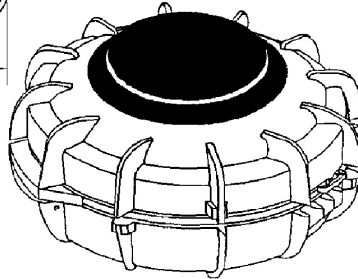
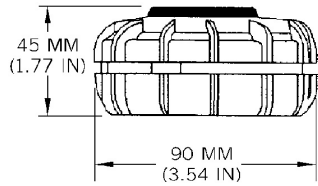
N.E.W. 44.00 G

ITALIAN LANDMINES, APERS TS-50; AND TRAINING

Ordnance used with:
VS-AR4, ANTILIFT DEVICE



N.E.W. 54.00 G



SINGAPORE LANDMINE; APERS, SPM-1

N.E.W. 44.00 G



U.S.S.R. BOMB, HE, FRAG, AO-25-33

N.E.W. 6.25 KG

U.S.S.R. CANISTER, MINE-DISPENSING, KPFM-1

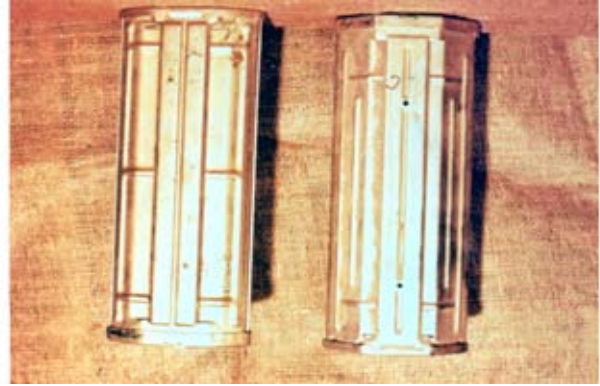
Ordnance used with:

KMGU

KMGU-2, DISPENSER, CAPTIVE

PFM-1, LANDMINE, APERS

BKF PFM-1, SUBMUN. CONTAINER UNIT, CANISTER D...



U.S.S.R. CANISTER, MINE-DISPENSING, KPFM-1S

Ordnance used with:

KMGU

KMGU-2, DISPENSER, CAPTIVE

BKF PFM-1S, SUBMUN. CONTAINER UNIT, CANISTER ...





U.S.S.R. BOMB, THERMOBARIC, BKF ODS-OD, PARACHUTE ASSEMBLY, ODS-OD

Ordnance used with:

KMGU

KMGU-2, DISPENSER, CAPTIVE

BKF ODS-OD, BOMB, THERMOBARIC

MDL. UNK. (ODS-OD)

MDL. UNKNOWN, CYLINDER

MDL. UNKNOWN, BURSTER/IGNITER ASSY.

BKF ODS-OD SUBMUN. CONTAINER UNIT, BOMB DISPE...



U.S.S.R. LANDMINE, APERS, POM-2S

Ordnance used with:

9M18, 122 MM, MINE DISPENSING, APERS

PKM, PORTABLE LANDMINE DISPENSING SYS.

PKPI, DISPENSER, CAPTIVE, HELICOPTER MOUNTED

PKPI-1

UMZ, MULTI-PURPOSE MINE LAYER