

**U.K. GUIDED MISSILE, SURFACE-TO-AIR, SURFACE-TO-SURFACE, K103A1 MK 2, BLOWPIPE**

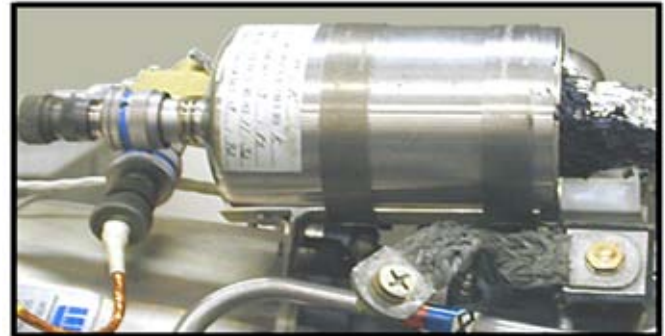
Ordnance used with:  
LAUNCH TUBE, K103A1, BLOWPIPE



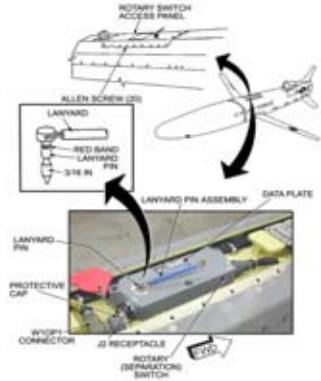
---

**U.S. GUIDED MISSILE STARTER CARTRIDGE FOR ENGINE, TURBOFAN, F107-WR-101**

Ordnance used with:  
AGM-86C, AIR-TO-SURFACE, CALCM  
OTL, PRACTICE ALCM, AGM-86C  
AGM-86D, CALCM  
UNDESIGNATED, AFT SECTION, AGM-86 SERIES

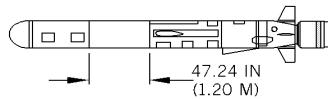


## U.S. GUIDED MISSILE SWITCH, ROTARY, SWU-58/A

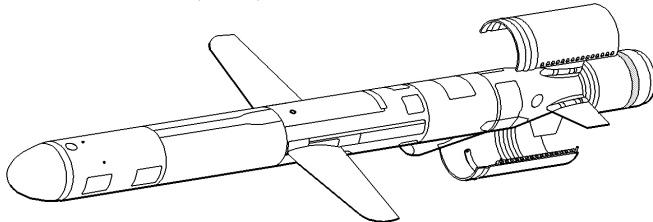


Ordnance used with:

FMU-139A/B, NOSE & TAIL, IMPACT  
AGM-86C, AIR-TO-SURFACE, CALCM  
OTL, PRACTICE ALCM, AGM-86C  
AGM-86D, CALCM  
UNDESIGNATED, CENTER SECTION, F/AGM-86D



ANTISHIP VERSION  
BLAST-EFFECT WARHEAD



## U.S. GUIDED MISSILE WARHEADS, CONVENTIONAL (FOR RGM-/UGM-109-SERIES TOMAHAWK) (ANTISHIP VERSION BLAST EFFECT WARHEAD)

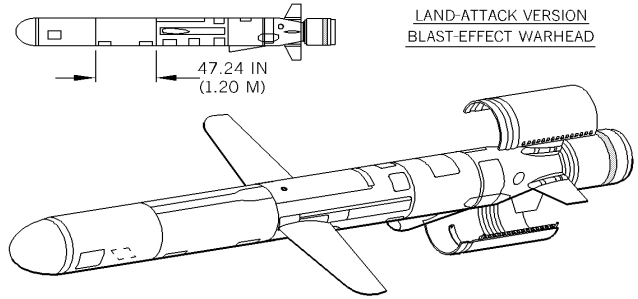
Ordnance used with:

RGM-109B-1, GUIDED MISSILE, S-TO-S (TOMAHAWK)  
RGM-109B-3, GUIDED MISSILE, S-TO-S (TOMAHAWK)  
RGM-109B-4, GUIDED MISSILE, S-TO-S (TOMAHAWK)  
RGM-109C-1, GUIDED MISSILE, S-TO-S (TOMAHAWK)  
RGM-109C-3, GUIDED MISSILE, S-TO-S (TOMAHAWK)  
RGM-109C-4, GUIDED MISSILE, S-TO-S (TOMAHAWK)  
RGM-109D-3, GUIDED MISSILE, S-TO-S (TOMAHAWK)

**U.S. GUIDED MISSILE WARHEADS, CONVENTIONAL  
(FOR RGM-/UGM-109-SERIES TOMAHAWK) (LAND-  
ATTACK VERSION BLAST EFFECT WARHEAD)**

Ordnance used with:

- RGM-109B-1, GUIDED MISSILE, S-TO-S (TOMAHAWK)
- RGM-109B-3, GUIDED MISSILE, S-TO-S (TOMAHAWK)
- RGM-109B-4, GUIDED MISSILE, S-TO-S (TOMAHAWK)
- RGM-109C-1, GUIDED MISSILE, S-TO-S (TOMAHAWK)
- RGM-109C-3, GUIDED MISSILE, S-TO-S (TOMAHAWK)
- RGM-109C-4, GUIDED MISSILE, S-TO-S (TOMAHAWK)
- RGM-109D-3, GUIDED MISSILE, S-TO-S (TOMAHAWK)

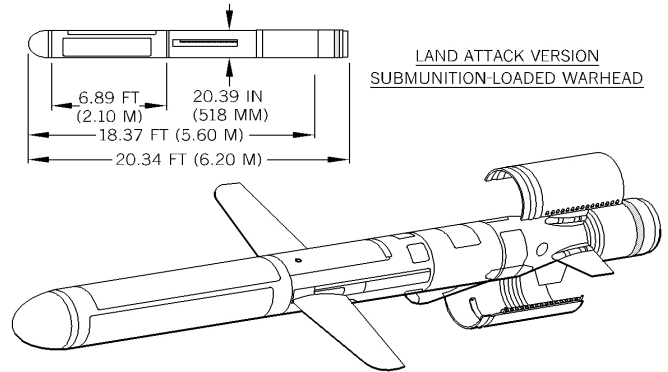


LAND-ATTACK VERSION  
BLAST-EFFECT WARHEAD

**U.S. GUIDED MISSILE WARHEADS, CONVENTIONAL  
(FOR RGM-/UGM-109-SERIES TOMAHAWK) (LAND-  
ATTACK VERSION SUBMUNITION LOADED)**

Ordnance used with:

- RGM-109B-1, GUIDED MISSILE, S-TO-S (TOMAHAWK)
- RGM-109B-3, GUIDED MISSILE, S-TO-S (TOMAHAWK)
- RGM-109B-4, GUIDED MISSILE, S-TO-S (TOMAHAWK)
- RGM-109C-1, GUIDED MISSILE, S-TO-S (TOMAHAWK)
- RGM-109C-3, GUIDED MISSILE, S-TO-S (TOMAHAWK)
- RGM-109C-4, GUIDED MISSILE, S-TO-S (TOMAHAWK)
- RGM-109D-3, GUIDED MISSILE, S-TO-S (TOMAHAWK)



LAND ATTACK VERSION  
SUBMUNITION-LOADED WARHEAD



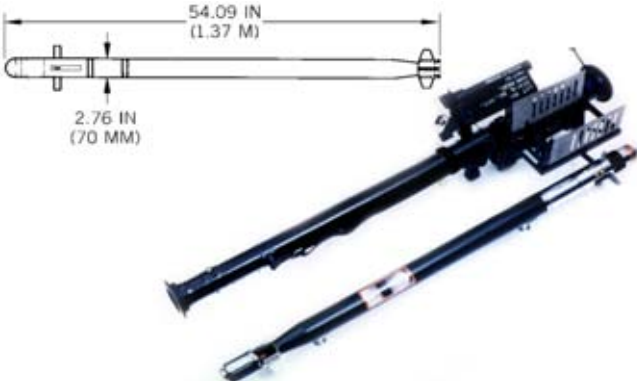
**U.S.S.R. GUIDED MISSILE, SURFACE-TO-SURFACE,  
TRAINING, AT-2C (SWATTER)**



**CHINESE GUIDED MISSILE, SURFACE-TO-AIR, HN-5**

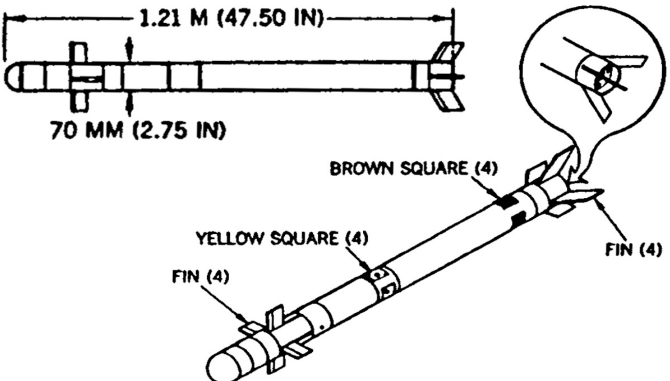
**U.S. GUIDED MISSILE LAUNCHERS, SURFACE-TO-AIR, FIM-92A, FIM-92B, FIM-92C, FIM-92D, AND FIM-92 E (STINGER)**

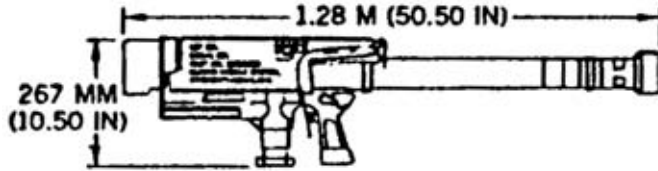
Ordnance used with:  
T61, ELEC. DET.



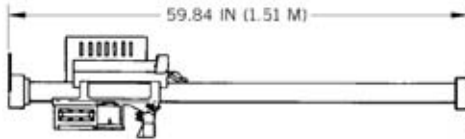
N.E.W. 11.30 LB

**U.S. GUIDED MISSILE, AIR DEFENSE, M41 (REDEYE) / FIM-43**





**U.S. GUIDED MISSILE, AIR DEFENSE, M41 (REDEYE) / FIM-43 (LAUNCHER)**



**U.S. GUIDED MISSILES, SURFACE-TO-AIR, FIM-92A, FIM-92B, FIM-92C, FIM-92D, AND FIM-92E (STINGER) (LAUNCHER)**

Ordnance used with:  
T61, ELEC. DET.



N.E.W. 11.30 LB

## U.S.S.R. GUIDED MISSILE, SURFACE-TO-AIR, SA-14



---

## U.S.S.R. GUIDED MISSILES, SA-7A, SA-7B, AND SA-N-5 (GRAIL)

Ordnance used with:  
9K32M SYSTEM, USES SA-7B MISSILE  
ZUR-23-2S, GUN/MISSILE AIR DEFENSE SYSTEM,



MARKINGS

**U.S.S.R. GUIDED MISSILE, SURFACE-TO-AIR, SA-16  
AND PRACTICE (GIMLET)**



Ordnance used with:  
9K310E SYSTEM, SA-16 MISSILE



---

**U.S.S.R. GUIDED MISSILE, SURFACE-TO-AIR, SA-18  
(GARGOYLE)**



Ordnance used with:  
MDL. UNKNOWN, GUIDED MISSILE EJECTION MOTOR  
9P39, GUIDED MISSILE SYS. (SA-18)





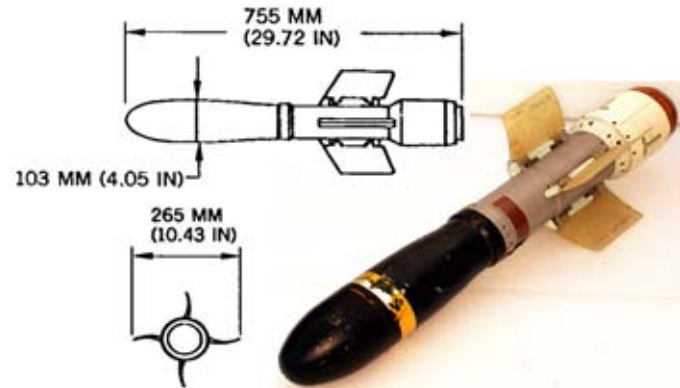
## U.K. GUIDED MISSILES, SURFACE-TO-AIR, BLOWPIPE

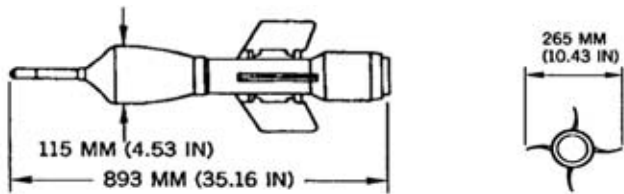
Ordnance used with:  
EJECT MOTOR, MDL. UNKNOWN, BLOWPIPE, K102A1 MK 2  
CTRL. SECTION, MDL. UNKNOWN, BLOWPIPE, K102A1...  
LAUNCH TUBE, MDL. UNKNOWN, BLOWPIPE, K102A1 MK 2



## FRENCH GUIDED MISSILE, SURFACE-TO-SURFACE, MILAN

Ordnance used with:  
UNDESIGNATED, PIBD-ELECTRIC (MILAN, MILAN 2)





## FRENCH GUIDED MISSILE, SURFACE-TO-SURFACE, MILAN 2

Ordnance used with:  
UNDESIGNATED, PIBD-ELECTRIC (MILAN, MILAN 2)  
WARHEAD, MDL. UNKNOWN, MILAN 2  
RKT MOTOR, MDL. UNKNOWN, MILAN 2  
GUIDANCE & CONTROL, MDL. UNKNOWN, MILAN 2  
LAUNCH TUBE, MDL. UNKNOWN, MILAN 2



---

## U.S.S.R. GUIDED MISSILE, AT-4A (SPIGOT A)



Ordnance used with:  
LAUNCHER, AT-4 SPIGOT



**U.S.S.R. GUIDED MISSILE, AA-8A**



---

**U.S.S.R. GUIDED MISSILE, AA-8B**



## **U.S.S.R. GUIDED MISSILE, SURFACE-TO-AIR, SA-13B (GOPHER)**



Ordnance used with:  
MDL. UNKNOWN, MOTOR, SOLID PROPELLANT (SA-13B)  
UNKNOWN, LASER PROX. (SA-13B)  
UNKNOWN, WARHEAD, HE, DISCRETE-RODS (SA-13B)  
UNKNOWN, IMPACT (SA-13B)  
UNKNOWN, SEEKER, EO/IR (SA-13B)

---

## **U.S.S.R. GUIDED MISSILE, SURFACE-TO-SURFACE, AT-3A (SAGGER)**



Ordnance used with:  
WHD. AT-3A & AT-3C MALYUTKA, SAGGER  
RKT MOTOR, AT-3A & AT-3C, MALYUTKA, SAGGER  
GUIDANCE & CTRL, AT-3A & AT-3C MALYUTKA, SAGGER

## **U.S.S.R. GUIDED MISSILE, SURFACE-TO-SURFACE, AT-3C (SAGGER)**

Ordnance used with:  
WHD. AT-3A & AT-3C MALYUTKA, SAGGER  
RKT MOTOR, AT-3A & AT-3C, MALYUTKA, SAGGER  
GUIDANCE & CTRL, AT-3A & AT-3C MALYUTKA, SAGGER



---

## **U.S.S.R. GUIDED MISSILE, SURFACE-TO-SURFACE, AT-5 (SPANDREL)**

Ordnance used with:  
GUIDANCE SECTION AT-5A SPANDREL KONKURS  
WHD. AT-5A, SPANDREL, 9M113, KONKURS  
RKT MOTOR AT-5A, SPANDREL, 9M113, KONKURS





## U.S.S.R. GUIDED MISSILES, SURFACE-TO-AIR, SA-9A AND SA-9B (GASKIN)

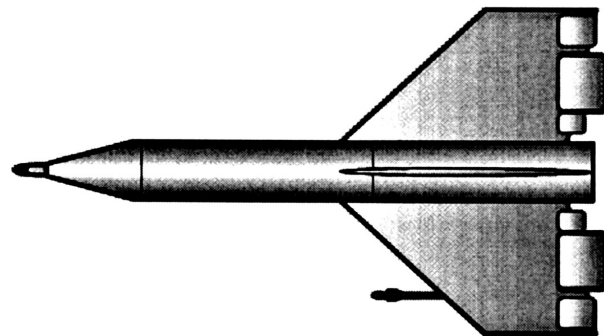
Ordnance used with:  
SA-9, GASKIN, SPECIFIC MDL. UNK.



## U.S.S.R. GUIDED MISSILE, AIR-TO-SURFACE, AT-6 (SPIRAL)

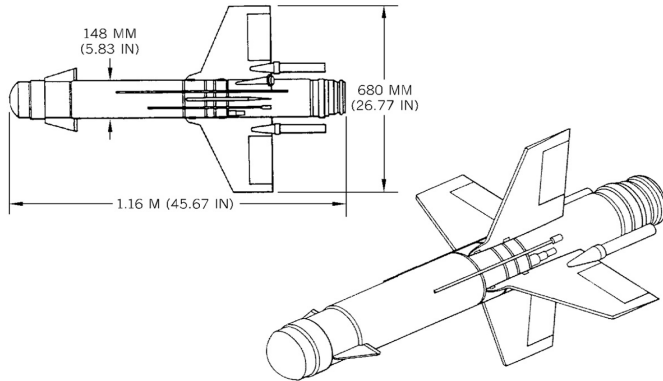
Ordnance used with:  
U.S.S.R. RKT MOTOR, MDL. UNK. (AT-6A/SPIRAL)  
U.S.S.R. EJECT MOTOR, MDL. UNK. (AT-6A/SPIRAL)  
U.S.S.R. LAUNCH TUBE, MDL. UNK. (AT-6A/SPIRAL)

**U.S.S.R. GUIDED MISSILE, WIRE, AT (SNAPPER)**

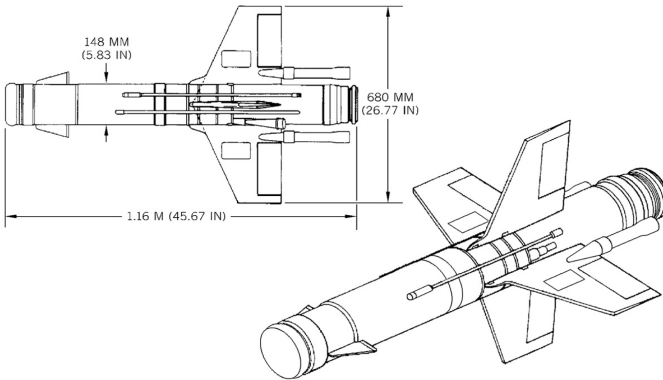


**U.S.S.R. GUIDED MISSILE, SURFACE-TO-SURFACE, AT-2C (SWATTER)**





**U.S.S.R. GUIDED MISSILE, SURFACE-TO-SURFACE  
AND AIR-TO-SURFACE, AT-2A SWATTER A**



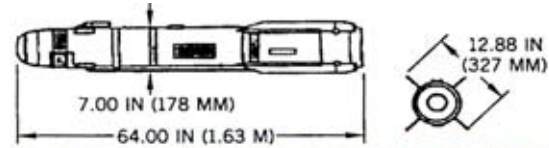
**U.S.S.R. GUIDED MISSILE, SURFACE-TO-SURFACE  
AND AIR-TO-SURFACE, AT-2B SWATTER B**



## U.S. GUIDED MISSILE, AIR-TO-SURFACE, AGM-114K (HELLFIRE II)

Ordnance used with:

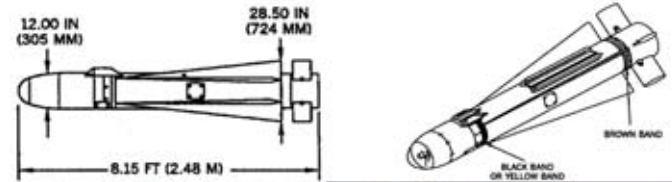
AH-64A, HELICOPTER, (APACHE)  
AH-1W, AIRCRAFT, HELICOPTER (COBRA)  
UH-3A, AIRCRAFT, HELICOPTER (SEA KING)  
UH-60 SERIES, AIRCRAFT, HELICOPTERS (BLACK HAWK)  
M120E2, RKT MOTOR, (THIOKOL)  
M120E4, RKT MOTOR, (HERCULES)  
GUIDANCE SECTION, AGM-114 (DESIGNATION UNKNOWN)



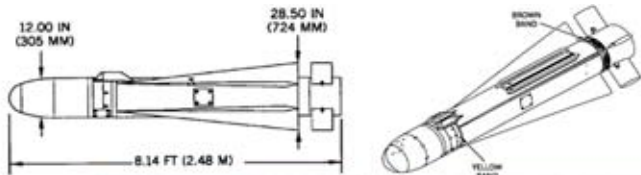
## U.S. GUIDED MISSILES, AIR-TO-SURFACE, AGM-65E & TRAINER, A/A37A-T9 (MAVERICK)

Ordnance used with:

LAU-88/A, LAUNCHER, MISSILE (MAVERICK)  
LAU-88A/A, LAUNCHER, MISSILE (MAVERICK)  
LAU-117/A, MISSILE LAUNCHER, AIRCRAFT  
WDU-24/B, WARHEAD, PENETRATOR, AGM-65G  
FMU-135/B, ELECTROMECHANICAL, GUIDED MISSILE,...  
RKT MOTOR, AGM-65E



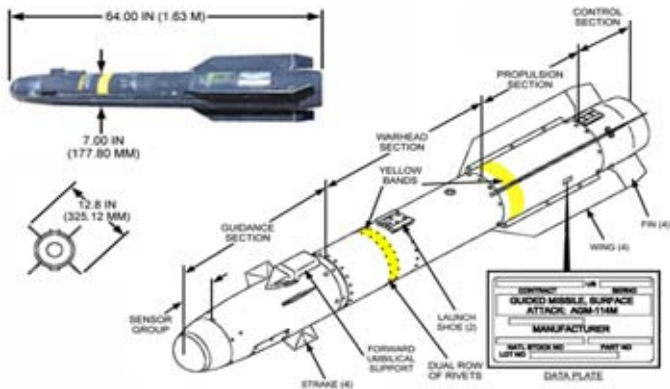
N.E.W. 148.80 LB



## U.S. GUIDED MISSILES, AIR-TO-SURFACE, AGM-65F & TRAINER, TGM-65F (MAVERICK)

Ordnance used with:  
 LAU-88/A, LAUNCHER, MISSILE (MAVERICK)  
 LAU-88A/A, LAUNCHER, MISSILE (MAVERICK)  
 LAU-117/A, MISSILE LAUNCHER, AIRCRAFT  
 WDU-24/B, WARHEAD, PENETRATOR, AGM-65G  
 FMU-135/B, ELECTROMECHANICAL, GUIDED MISSILE,...  
 RKT MOTOR, AGM-65F

N.E.W. 148.60 LB



## U.S. GUIDED MISSILE, AIR-TO-SURFACE, AGM-114M

Ordnance used with:  
 AH-64A, HELICOPTER, (APACHE)  
 M120E1, RKT MOTOR, (THIOKOL), HELLFIRE  
 M120E3, RKT MOTOR, (HERCULES)  
 M120E4, RKT MOTOR, (HERCULES)  
 GUIDANCE SECTION, AGM-114 (DESIGNATION UNKNOWN)  
 UNDESIGNATED, WHD. SECTION, BLAST FRAG (F/ AG...  
 ESAF MODULE, AGM-114 (DESIGNATION UNKNOWN)

## U.S. GUIDED MISSILE (GUIDED DISPENSER), AIR-TO-SURFACE, AGM-154A (JSOW)

Ordnance used with:  
BLU-97B/B, HEAT  
FSU-24/B, ELECT. SAFE & ARM DEVICE (SAD)  
EUROFIGHTER, TYPHOON  
DISP. PAYLOAD, AGM-154A, (UNKNOWN DESIGNATION)

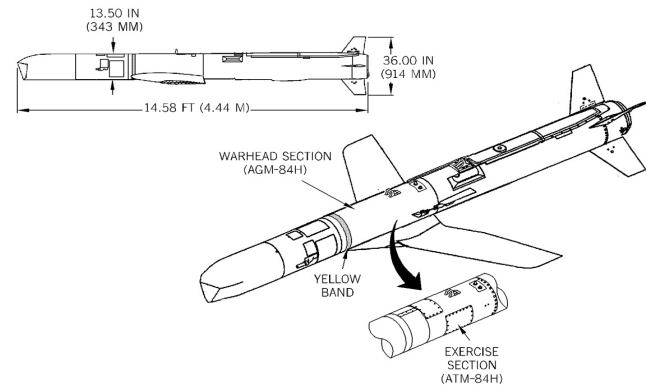
N.E.W. 92.60 LB

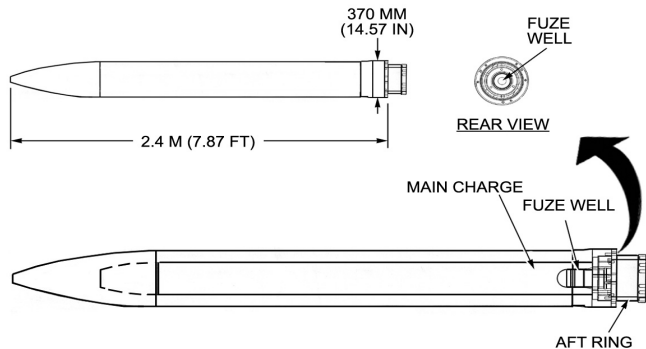


## U.S. GUIDED MISSILES, AIR-TO-SURFACE, AGM-84H & TRAINER ATM-84H (SLAM-ER)

Ordnance used with:  
FZU-47/B, AIR PRESS. PROBE, GUIDED MISSILE  
FMU-155/B, FUZE  
FZU-56/B, AIR PRESS. PROBE  
BBU-60/B, BOOSTER  
WAU-30C (V2) / B, WHD. SECTION  
WDU-40 / B, WHD.  
J402, SUSTAINER MOTOR, TURBOFAN

N.E.W. 350.00 LB

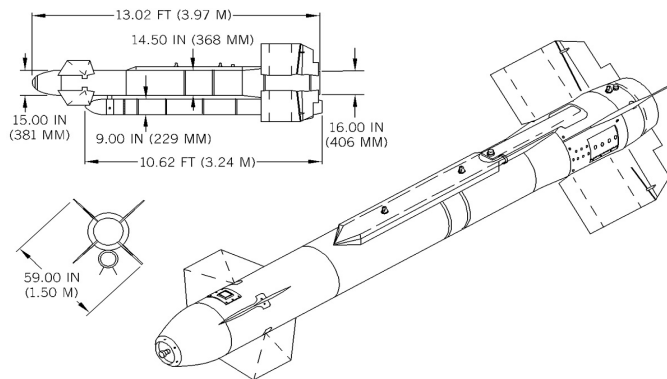




## U.S. GUIDED MISSILE WARHEAD, 1,200-LB, HE-PENETRATION, AUP-3 (M)

Ordnance used with:  
 AGM-86D, CALCM  
 FMU-159/B, BOMB, TAIL, HTSF  
 UNDESIGNATED, CENTER SECTION, F/AGM-86D

N.E.W. 43.09 KG



## U.S. GUIDED MISSILE, AIR-TO-SURFACE, AGM-130C

Ordnance used with:  
 BLU-109/B, PENETRATOR  
 FMU-143B/B, NOSE & TAIL, IMPACT  
 FMU-152/B, BOMB FUZE, TAIL  
 JPF  
 DSU-27B/B, GUIDANCE CTRL. UNIT, GUIDED MISSILE  
 WGU-33/B, GUIDANCE CTRL. UNIT, GUIDED MISSILE  
 WGU-40/B, GUIDANCE CTRL. UNIT, GUIDED MISSILE

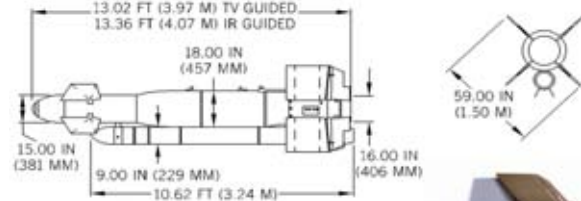
**U.S.S.R. GUIDED MISSILE, AIR-TO-SURFACE, AS-9  
(KYLE)**

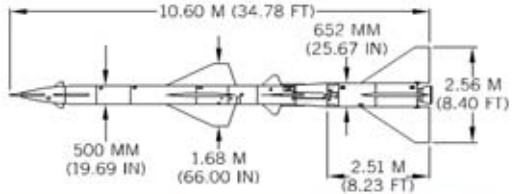


**U.S. GUIDED MISSILE, AIR-TO-SURFACE, AGM-130A**

Ordnance used with:  
FMU-124A/B, NOSE & TAIL, IMPACT  
FMU-152/B, BOMB FUZE, TAIL  
JPF

MK 84, 2000-LB, GP  
DSU-27B/B, GUIDANCE CTRL. UNIT, GUIDED MISSILE  
WGU-33/B, GUIDANCE CTRL. UNIT, GUIDED MISSILE  
WGU-40/B, GUIDANCE CTRL. UNIT, GUIDED MISSILE

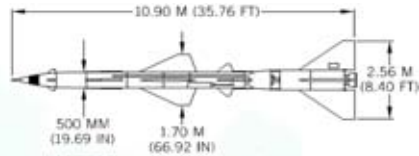




**U.S.S.R. GUIDED MISSILE, SURFACE-TO-AIR, SA-2B, SA-2C, SA-2F (GUIDELINE)**



N.E.W. 791.00 KG



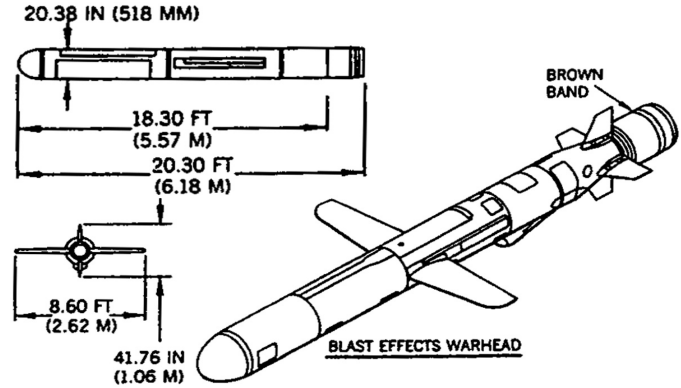
**U.S.S.R. GUIDED MISSILE, SURFACE-TO-AIR, SA-2D (GUIDELINE)**



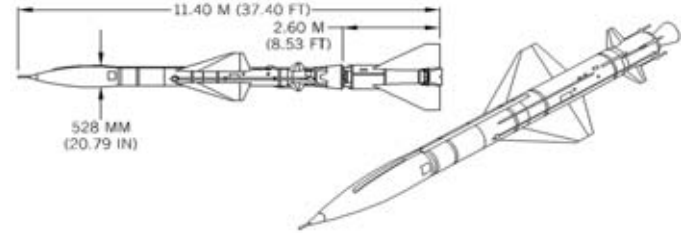
N.E.W. 851.00 KG

**U.S. GUIDED MISSILES, SUBMARINE-TO-SURFACE,  
UGM-109C-1, -2 AND UGM-109D-1, -11, -2; -21  
(TOMAHAWK) (BLAST EFFECTS WARHEAD)**

Ordnance used with:  
RGM-109 WAREADS, CONVENTIONAL, (TOMAHAWK)  
MK 14 MOD 0, MISSILE CAN. SYS. (USED IN THE M...  
MK 1 MOD 0, CAPSULE SYSTEM, TTL  
WDU-25/B, WARHEAD, HE, MISSILE, (TOMAHAWK)  
WDU-36/B, WARHEAD, PENETRATOR, (FOR TOMAHAWK)  
MK 14 MOD 1, MISSILE CANISTERING SYS.

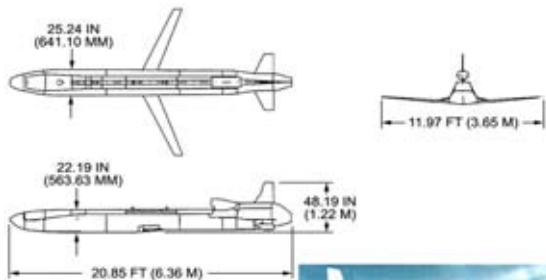


**U.S.S.R. GUIDED MISSILE, SURFACE-TO-AIR, SA-2E  
(GUIDELINE)**





**U.S.S.R. GUIDED MISSILE, SURFACE-TO-AIR,  
SA-3/SA-N-1 (GOA) SERIES**



**U.S. GUIDED MISSILE, AIR-TO-SURFACE, AGM-86D  
(CALCM)**

Ordnance used with:

A/A48K-1(V)2 COMMON STRATEGIC ROTARY LNCHR. (...)

FMU-159A/B, BOMB, TAIL, HTSF

FMU-159/B, BOMB, TAIL, HTSF

AUP-3 (M), WARHEAD, 1,200 LB, HE-PENETRATION

MAU-191/A, ARMING DEVICE

UNDESIGNATED, FORWARD SECTION, F/ AGM-86D

SWU-58/A, ROTARY SWITCH

N.E.W. 47.50 KG







***THIS PAGE INTENTIONALLY LEFT BLANK***