

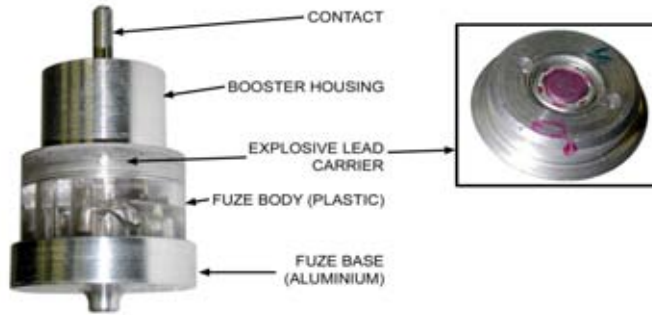
BELGIAN PROJECTILE FUZE, PD, NR 2117



BELGIAN PROJECTILE FUZE, PD, NR 2421

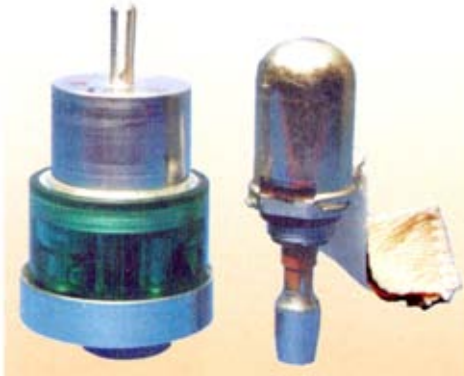
Ordnance used with:
NR 483A1, 106MM, CARTRIDGE, HE-AP, RECOILLESS...
NR 483A1, 106MM, HE-AP





BULGARIAN ROCKET FUZE, BASE DETONATING ELEMENT, VP-22 BP

Ordnance used with:
 PG-7L, 94MM, HEAT
 VP-22, ROCKET, PIBD
 VP-16 G CH, ROCKET, PIBD, POINT INITIATING EL...



BULGARIAN ROCKET FUZE, PIBD, VP-22

Ordnance used with:
 PG-7L, 94MM, HEAT
 VP-16 G CH, ROCKET, PIBD, POINT INITIATING EL...
 VP-22 BP, FUZE, ROCKET, PIBD, BASE DETONATING...

BULGARIAN ROCKET FUZE, POINT-INITIATING ELEMENT, VP-16 G CH

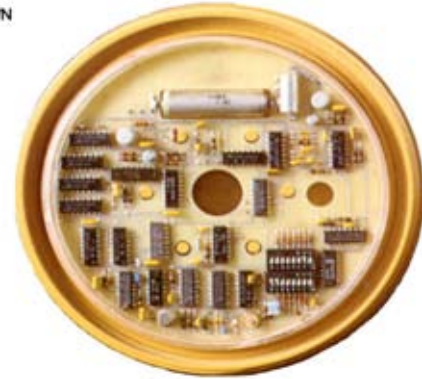
Ordnance used with:
PG-16, 58MM, HEAT-T
PG-7L, 94MM, HEAT
VP-22, ROCKET, PIBD
PG 22, 72MM, HEAT
VP-22 BP, FUZE, ROCKET, PIBD, BASE DETONATING...
VP-9 D CH, ROCKET, PIBD, BASE DETONATING ELEMENT



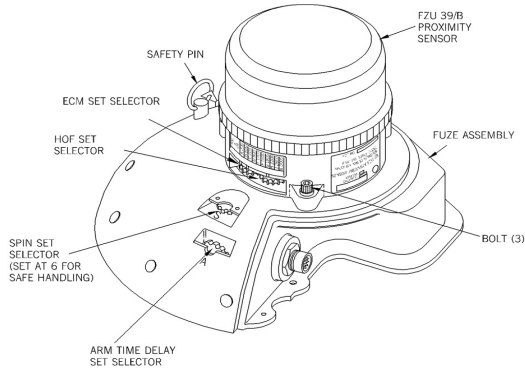
ITALIAN LANDMINE FUZE, ELECTRONIC, MODEL UNKNOWN

Ordnance used with:
TCE/6, AT, ELECT.

DIMENSIONS UNKNOWN



U.S. DISPENSER FUZE, UNDESIGNATED, MT



Ordnance used with:

SUU-64/B, DISP.

SUU-65/B, DISP.

SUU-66/B, DISP.

CBU-87/B

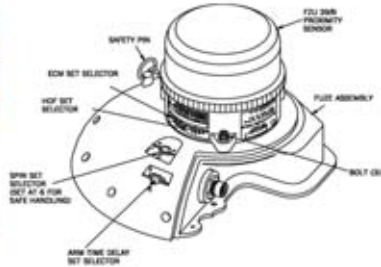
COMBINED EFFECTS MUNITION

CBU-87A/B

CBU-87B/B

N.E.W. 4.00 G

U.S. DISPENSER SENSOR, PROXIMITY, FZU-39/B



Ordnance used with:

SUU-64/B, DISP.

SUU-65/B, DISP.

SUU-66/B, DISP.

CBU-87/B

COMBINED EFFECTS MUNITION

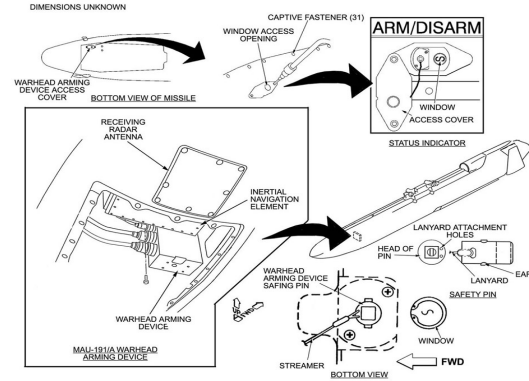
CBU-87A/B

CBU-87B/B

N.E.W. 5.00 G

U.S. GUIDED MISSILE WARHEAD ARMING DEVICE, MAU-191/A

Ordnance used with:
FMU-139A/B, NOSE & TAIL, IMPACT
AGM-86C, AIR-TO-SURFACE, CALCM
AGM-86D, CALCM
UNDESIGNATED, FORWARD SECTION, F/ AGM-86D



U.S. PROJECTILE FUZE, GRAZE-SENSITIVE PD, M759

Ordnance used with:
M789, 30-MM, CARTRIDGE, HEDP
M799, 30-MM, CARTRIDGE, HEI
M789, 30-MM, HEDP
M799, 30-MM, HEI
UNDESIGNATED, STAB DET. (F/M759)
UNDESIGNATED, LEAD (310 MG PBXN-5)

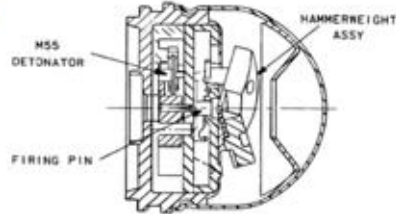
N.E.W. 2.00 G





U.S. PROJECTILE FUZE, PDSQ, FMU-154/B

Ordnance used with:
PGU-9C/B, CARTRIDGE, 40-MM, HEI
PGU-9C/B, PROJECTILE, 40-MM, HEI



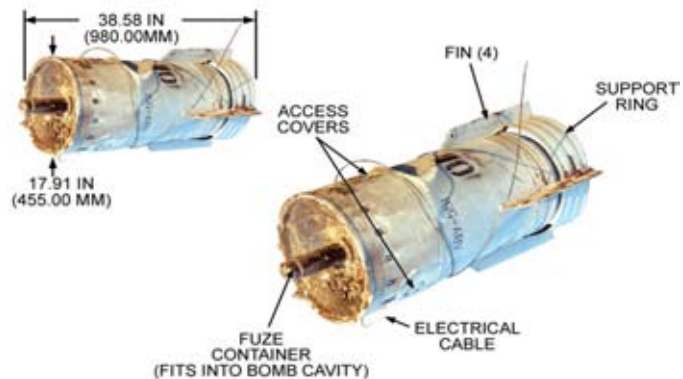
U.S. PROJECTILE FUZE, PIBD, M550

Ordnance used with:
M433, 40MM, CARTRIDGE, HEDP
M433, 40 MM, HEDP
M55, STAB PRIMER
XM1060, 40MM, CARTRIDGE, APERS, MULTIPURPOSE ...

N.E.W. 2.00 G

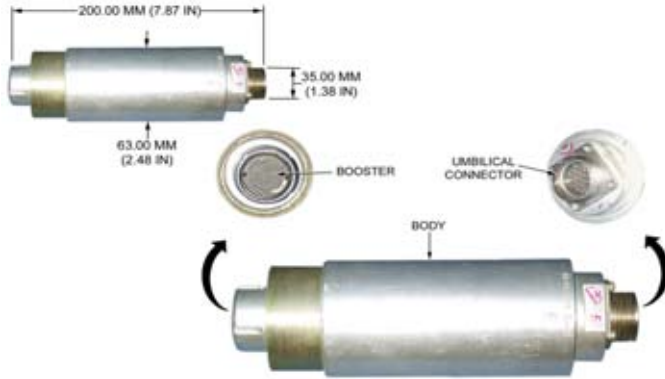
U.S.S.R. BOMB FIN ASSEMBLY, AVU-551

Ordnance used with:
FAB-500 SHN, GENERAL PURPOSE, 500 KG



U.S.S.R. BOMB FUZE, AMV-AE





**U.S.S.R. BOMB FUZE, TAIL, IMPACT/SELF
DESTRUCT, AV-551**

DIMENSIONS UNKNOWN



U.S.S.R. BOMB IGNITER, FIRE BOMB, PFK-ZB 250SH

Ordnance used with:
 AVU-ETM, BOMB FUZE
 PFK ZAB-500-400, INCENDIARY
 PK.K ZAB-500-400, INCENDIARY
 ZAB-500-400, BOMB, INCENDIARY
 ZAB-250SH, INCENDIARY

U.S.S.R. LANDMINE FUZE, AT, PRESSURE, MVCH-62

Ordnance used with:
TM-62B, AT, PAPER-COATED
TM-62D, AT, WOOD
TM-62M, AT
TM-62P, AT, PLASTIC
TM-62P2, AT, PLASTIC
TM-62P3, AT, PLASTIC



U.S.S.R. LANDMINE FUZE, AT, TILTROD, MVSH 57 WITH TM-57 LANDMINE

Ordnance used with:
TM-57, AT

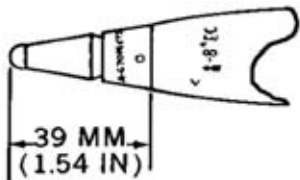




U.S.S.R. LANDMINE FUZE, PRESSURE, AT, MVZ-57

Ordnance used with:
TM-57, AT

N.E.W. 2.00 G



U.S.S.R. PROJECTILE FUZE, PD, A-670M

Ordnance used with:
FT, 30-MM, HE-T
OR-84, 30MM, HE-T
OT, 30-MM, HE-T
OT-30, 30-MM, HE-T
JOSV, 30 MM, HEIT
OFZ, 30MM X 165MM, CARTRIDGE, HEI
UOF-84, 30MM X 165MM, CARTRIDGE, HEI

U.S.S.R. PROJECTILE FUZE, PD, B-23A

Ordnance used with:

OFZ, 23MM, HEI

OFZT, 23-MM, CARTRIDGE, HEI-T

OFZT, 23MM X 115MM, CARTRIDGE, HEI-T

OFZT, 23-MM, HEI-T



N.E.W. 2.00 G

U.S.S.R. PROJECTILE FUZE, PD, VMG

Ordnance used with:

VOG-26, 30-MM, CARTRIDGE, FRAG

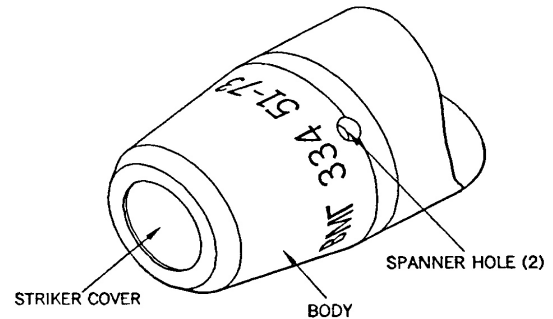
7P9M, CARTRIDGE, 30MM, FRAG

VOG-17M, CARTRIDGE, 30MM, FRAG

VOG-26, 30-MM, FRAGMENTATION

7P9M, 30-MM, FRAGMENTATION

VOG-17M, 30-MM, FRAGMENTATION





U.S.S.R. PROJECTILE FUZE, PDS, V-19U

Ordnance used with:
OFZ, CARTRIDGE, 23-MM, HEI, (23MM X 152MM)
OFZ, 23-MM, HEI

N.E.W. 6.00 G



U.S.S.R. PROJECTILE FUZE, PDS, V19UK

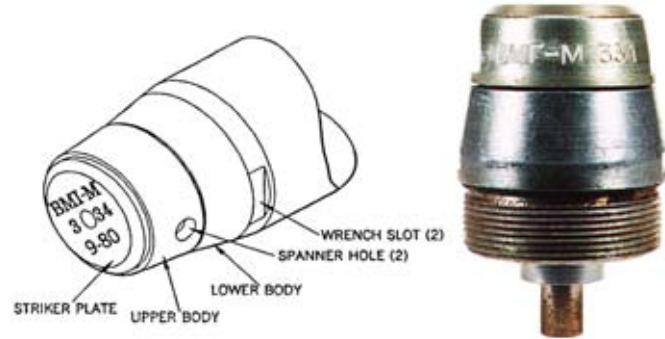
Ordnance used with:
OFZ, CARTRIDGE, 23-MM, HEI, (23MM X 152MM)
OFZ, 23-MM, HEI

N.E.W. 6.00 G

U.S.S.R. PROJECTILE FUZE, PDSD, VMG-M

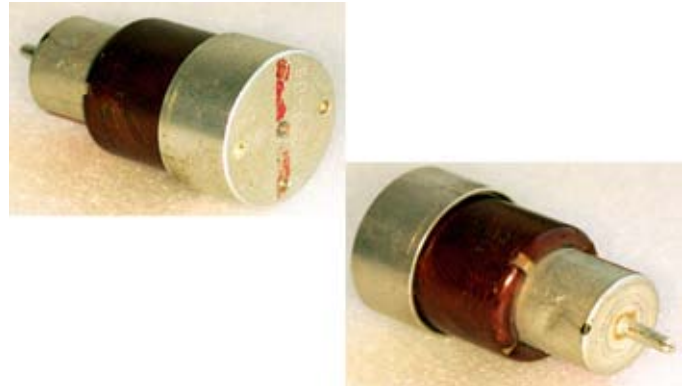
Ordnance used with:
VOG-26, 30-MM, CARTRIDGE, FRAG
VOG-25, 40MM, FRAG
7P9M, CARTRIDGE, 30MM, FRAG
VOG-17M, CARTRIDGE, 30MM, FRAG
VOG-26, 30-MM, FRAGMENTATION
7P9M, 30-MM, FRAGMENTATION

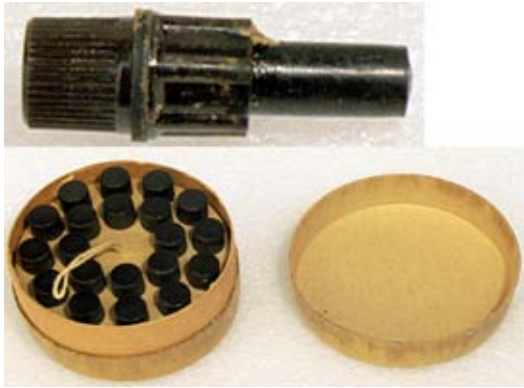
N.E.W. 1.00 G



U.S.S.R. PROJECTILE FUZE, PIBD, VP-9

Ordnance used with:
PG-9S, 73-MM, HEAT-T
PG-9, 73-MM, HEAT-T





YUGOSLAV LANDMINE FUZE, APERS, PRESSURE, UPMAH-1

Ordnance used with:
PMA-1, APERS
PMA-1A, APERS



YUGOSLAV LANDMINE FUZE, APERS, PRESSURE/ PULL, UPROM-1

Ordnance used with:
PROM-1, APERS, BOUNDING
PPMP-2, LANDMINE, APERS, STAKE

U.S.S.R. FIRING DEVICE, PULL/PRESSURE, MUV-2

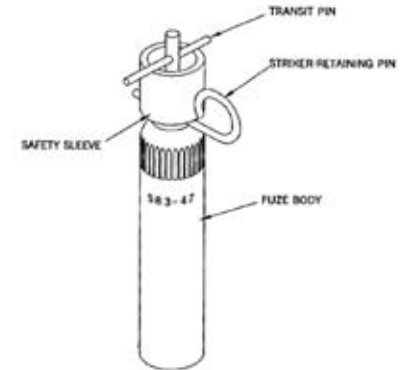
Ordnance used with:
UNKNOWN, APERS, CYLINDRICAL
MON-100, APERS, DIRECTIONAL
MON-200, APERS, DIRECTIONAL
MON-50, APERS, CLAYMORE
MON-90, APERS, CLAYMORE

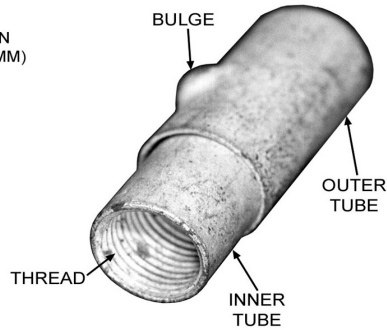
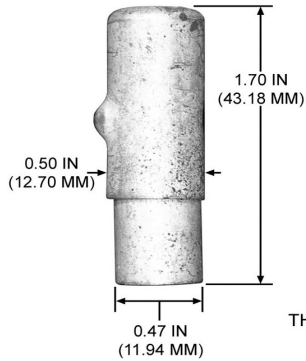


MUV-2 FITTED WITH A PERCUSSION DETONATOR ASSEMBLY

U.S.S.R. LANDMINE FUZE, PULL, MUV

Ordnance used with:
UNKNOWN, APERS, CYLINDRICAL
MON-100, APERS, DIRECTIONAL
MON-200, APERS, DIRECTIONAL
MON-50, APERS, CLAYMORE
MON-90, APERS, CLAYMORE





YUGOSLAV LANDMINE FUZE, PRESSURE, MV-5

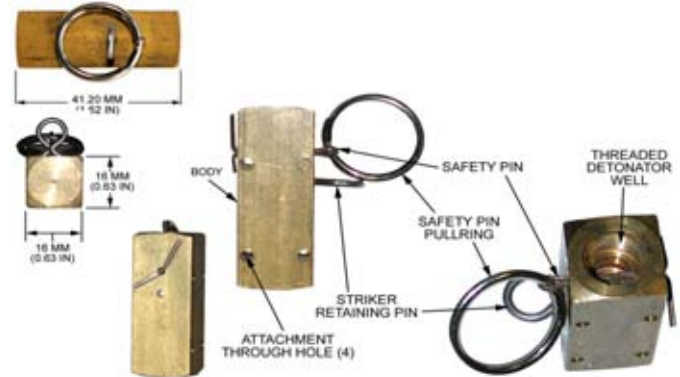
Ordnance used with:
TMD-1, ANTITANK, WOOD
MKTBT, AT



IRANIAN LANDMINE FUZE, PRESSURE, MODEL UNKNOWN (NO. 4, PEDAL)

Ordnance used with:
NO 4, APERS, PLASTIC (PEDAL)

COUNTRY UNKNOWN FIRING DEVICE, PULL, BRASS, MODEL UNKNOWN



U.S.S.R. BOMB FUZE ARMING DELAY MECHANISM, MDV-2

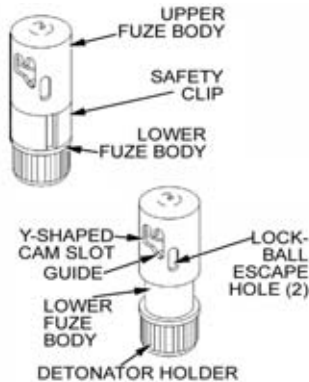
Ordnance used with:
UNKNOWN, 100KG, HIGH-DRAG
AM-A, BOMB, NOSE
AM A B/V, BOMB, NOSE
AM B, BOMB, NOSE





U.S.S.R. BOMB FUZE ARMING DELAY MECHANISM, MDV-4

Ordnance used with:
UNKNOWN, 100KG, HIGH-DRAG
AGDT B, BOMB, NOSE
TM-24A, BOMB, NOSE OR TAIL
TM-24B, BOMB, NOSE OR TAIL, MT
UNKNOWN, RUNWAY PENETRATION, 50 KG, (DIBBER)



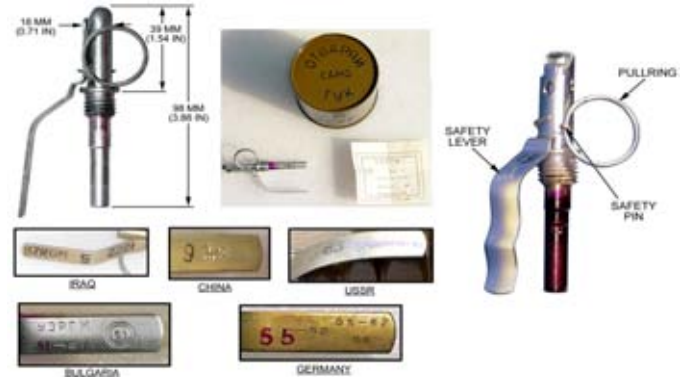
IRANIAN LANDMINE FUZE, AT, PRESSURE, MODEL UNKNOWN

Ordnance used with:
YM III, ANTI TANK
YM-3, ANTITANK

U.S.S.R., BULGARIAN, AND POLISH GRENADE FUZES, STRIKER-RELEASE, UZRG, UZRGM, UZRGM-2

Ordnance used with:
 F-1, HAND, FRAG
 TIP F-1, HAND, FRAG
 RG-42, HAND, FRAG
 MDL. 59, HAND, FRAG
 RGD-5, HAND, FRAG
 UNKNOWN, HAND, HE-FRAG, MINI
 F-1, HAND, FRAG

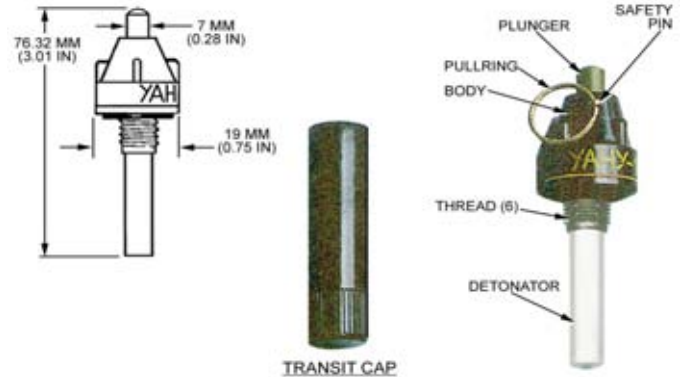
N.E.W. 2.10 G

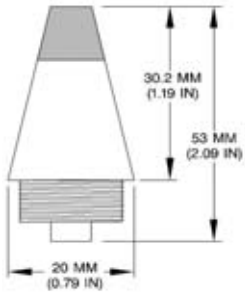


YUGOSLAV LANDMINE FUZE, PRESSURE, UANU-1

Ordnance used with:
 TMA-1A, AT
 TMA-2, AT
 TMA-5, AT
 TMA-5A, AT
 TM-100, APERS
 TM-200, APERS
 TM-500, APERS

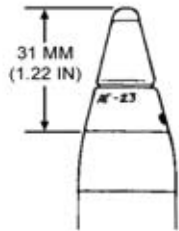
N.E.W. 2.20 G





BULGARIAN PROJECTILE FUZE, PDSD, MG-25

Ordnance used with:
OFZT, 23MM, HEI-T
OFZT, CARTRIDGE, 23MM, HEI-T

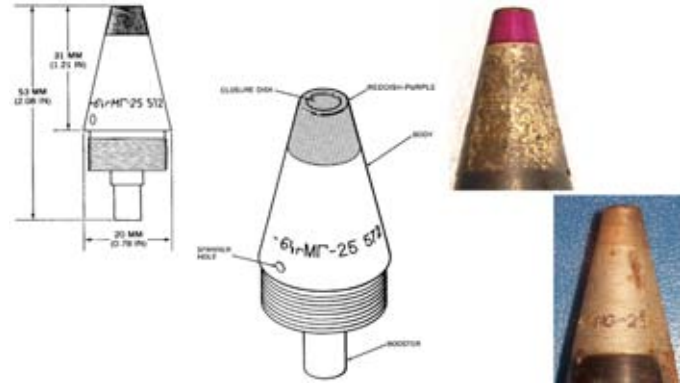


U.S.S.R. PROJECTILE FUZE, PD, AG-23

Ordnance used with:
OFZ, CARTRIDGE, 23-MM, HEI (23MM X 115MM)
OFZ, 23-MM, FRAG-HEI

U.S.S.R. PROJECTILE FUZE, PDSD, MG-25

Ordnance used with:
OFZT, CARTRIDGE, 23MM X 152MM, FRAG-HEIT
OFZT, 23MM, FRAG-HEIT
OFZT, 23-MM, HEI-T



N.E.W. 6.00 G

BULGARIAN FUZE, VP-9, ROCKET, PIBD (VP-9 G CH AND VP-9 D CH)

Ordnance used with:
PG-15, CARTRIDGE, 73-MM, HEAT-T
PG-15V, CARTRIDGE, 73MM, HEAT
PG-9, 73MM, HEAT
PG-15VN, CARTRIDGE, 73MM, HEAT
PG-9N, 73MM, HEAT
PG-9V, 73MM, CARTRIDGE, ROCKET, HEAT
PG-9VN, 73MM, CARTRIDGE, ROCKET, HEAT

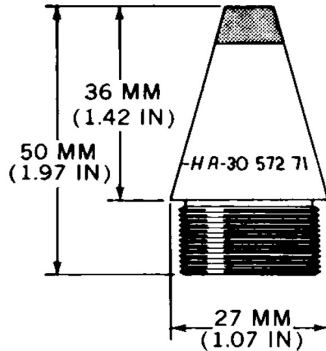
N.E.W. 2.51 G





YUGOSLAV LANDMINE FUZE, APERS, PRESSURE, UPMAH-2

Ordnance used with:
PMA-2, APERS



U.S.S.R. PROJECTILE FUZE, PD, A-30

Ordnance used with:
OFZ, 30-MM, HEI
OFZ, 30-MM, CARTRIDGE, HEI

N.E.W. 2.00 G

RUSSIAN PROJECTILE FUZE, BD, BD-30

Ordnance used with:
OFT, CARTRIDGE, 30-MM, APHEI (EARLY)
OFT, 30MM, APHEI (EARLY)
BR-30, 30-MM, APHE

N.E.W. 16.00 G



CHINESE PROJECTILE FUZE, BD, TYPE 4

Ordnance used with:
DK 82, CARTRIDGE, 82MM, HEAT
TYPE 65
TYPE 56, 80MM, HEAT, (VARIANT 3)
TYPE 56, 80MM, HEAT, MODIFIED
PG-2, 80MM, HEAT
TYPE 56, 80MM, HEAT

N.E.W. 11.00 G





RUSSIAN PROJECTILE FUZE, BD, BDM-30

Ordnance used with:
BR-30, TYPE II, 30-MM, APHEI
OFT, 30MM, APHEI (CURRENT)
OFT, CARTRIDGE, 30-MM, APHEI (CURRENT)

N.E.W. 26.00 G

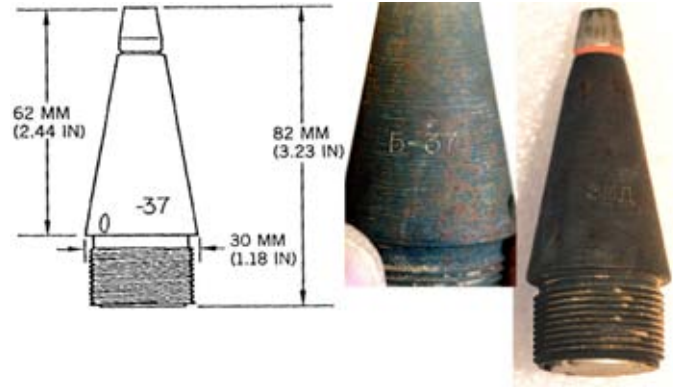


ITALIAN LANDMINE FIRING DEVICE, ANTILIFT, MODEL UNKNOWN

Ordnance used with:
TC-6, AT
TC/6

U.S.S.R. PROJECTILE FUZE, PDSD, B-37

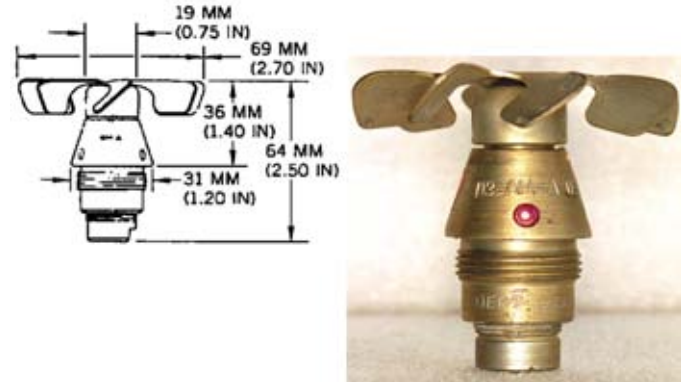
Ordnance used with:
OR-167, 37-MM, FRAG-T
OR-167N, 37-MM, FRAG-T
UOR-167, 37-MM, CARTRIDGE, FRAG-T
UOR-167N, 37-MM X 253RMM, CARTRIDGE, FRAG-T
UOR-167N, 37-MM, CARTRIDGE, FRAG-T



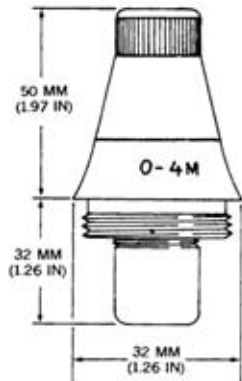
N.E.W. 5.00 G

U.S.S.R. BOMB FUZE, NOSE, AM-A

Ordnance used with:
OFAB 100NV, BOMB, FRAG, 100 KG
AO 1 SCH, BOMB, HE
AO-1SCH
AOKH-10, BOMB, FRAGMENTATION/CHEMICAL
AOKH-8, BOMB, FRAGMENTATION/CHEMICAL
KHAB-100, BOMB, CHEMICAL
P 50 75, BOMB, PRACTICE



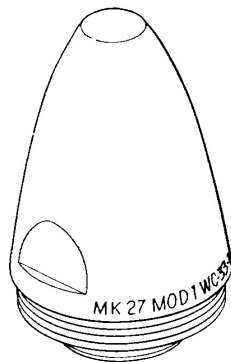
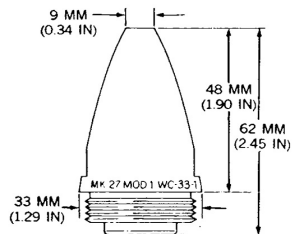
N.E.W. 7.00 G



BULGARIAN PROJECTILE FUZE, PD, O-4M

Ordnance used with:

- OG-7V, 40MM, CARTRIDGE, FRAG
- OG-7VM, 40MM, CARTRIDGE, FRAG
- OG-9, 73-MM, HE-FRAG
- OG-9BG, 73MM, HERA
- OG-9G
- OG-9M, PROJECTILE, 73MM, FRAGMENTATION
- OG-9B, 73MM, HE-FRAG



U.S. PROJECTILE FUZES, PD, MK 27 MODS 0 & 1

Ordnance used with:

- MK 1 MOD 1, 40-MM, HE-SD, AA
- MK 1 MOD 10, 40-MM, HE-SD, AA
- MK 1 MOD 11, 40-MM, HE-SD, AA
- MK 1 MOD 12, 40-MM, HE-SD, AA
- MK 1 MOD 13, 40-MM, HE-SD, AA
- MK 1 MOD 14, 40-MM, HE-SD, AA
- MK 1 MOD 15, 40-MM, HE-SD, AA

N.E.W. 6.00 G

U.S.S.R. PROJECTILE FUZE, BD, MD-10

Ordnance used with:

BR-471B, 122-MM, APHE-T

BZR-271, 57-MM, APHEI-T

UBR-270, CARTRIDGE, 57-MM, APHE-T

UBR-271, CARTRIDGE, 57-MM, APHE-T

UBR-271K, 57-MM, CARTRIDGE, APHE-T

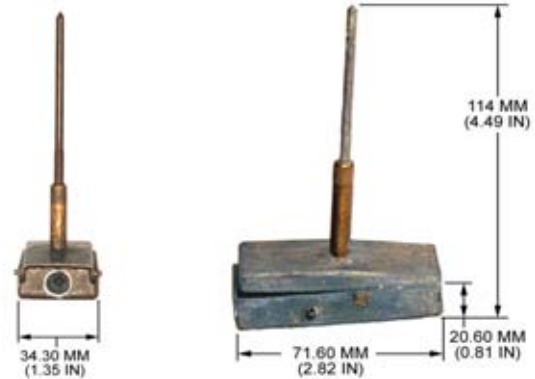
UBR-281, 57-MM, CARTRIDGE, APHE-T (57MM X 348MM)

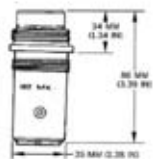
UBR-281U, 57-MM, CART., APHE-T (57MM X 348MM)

N.E.W. 13.00 G



U.K. FIRING DEVICE, SWITCH, PRESSURE, NO. 5 MK 1



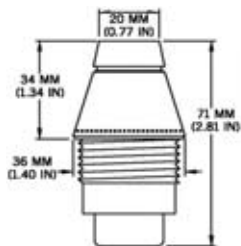


U.K. PROJECTILE FUZE, PD, NO. 162 MK 10

Ordnance used with:

- L10A2, 81-MM, MORTAR, HE
- L15A1, 81MM, HE, MORTAR
- L15A3, 81MM, HE, MORTAR
- L15A4, 81MM, HE, MORTAR
- L19A1, 81 MM, SMOKE WP, MORTAR
- MK 7, 3-INCH, HE, MORTAR
- MK 7, 3-INCH, SMOKE, MORTAR

N.E.W. 36.00 G



CHINESE PROJECTILE FUZE, PD, MP-1 (TYPE 1)

Ordnance used with:

- TYPE 60-1, 60-MM, SMOKE WP
- TYPE 63-1, TYPE 60-1, 60-MM, MORTAR, SMOKE, WP
- TYPE 60-2, 60-MM, HE, MORTAR
- TH521, 82-MM, HE
- TYPE 53, 82-MM, HE
- TYPE 53, 82 MM, SMOKE, WP
- TYPE 63, 60 MM, HE

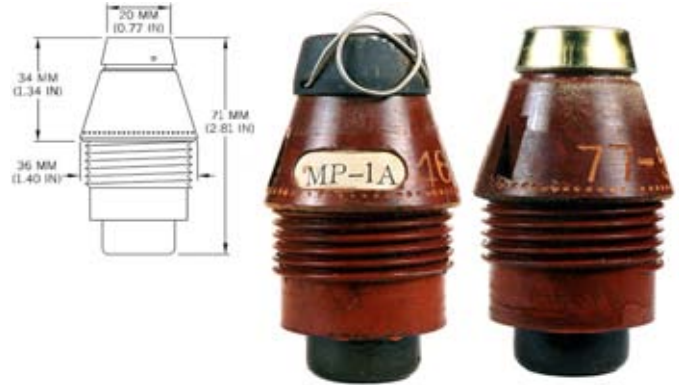
N.E.W. 9.00 G

CHINESE PROJECTILE FUZE, PD, MP-1A

Ordnance used with:

TYPE 60-1, 60-MM, SMOKE WP
TYPE 63-1, TYPE 60-1, 60-MM, MORTAR, SMOKE, WP
TYPE 60-2, 60-MM, HE, MORTAR
TH521, 82-MM, HE
TYPE 53, 82-MM, HE
TYPE 53, 82 MM, SMOKE, WP
TYPE 63, 60 MM, HE

N.E.W. 9.00 G

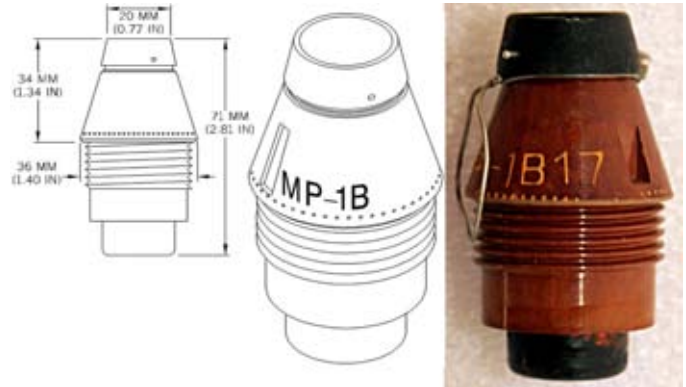


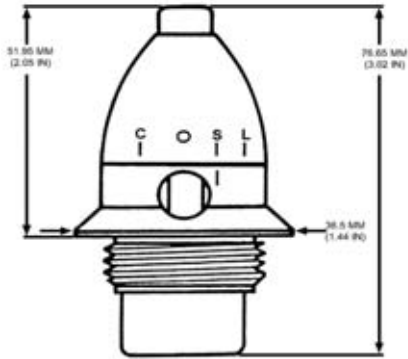
CHINESE PROJECTILE FUZE, PD, MP-1B

Ordnance used with:

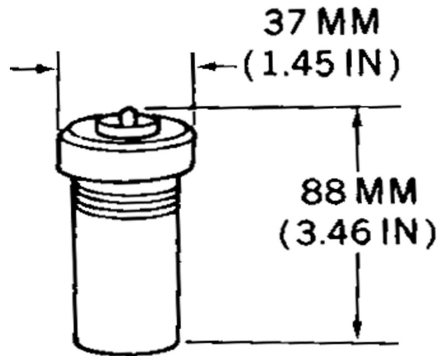
TYPE 60-1, 60-MM, SMOKE WP
TYPE 63-1, TYPE 60-1, 60-MM, MORTAR, SMOKE, WP
TYPE 60-2, 60-MM, HE, MORTAR
TH521, 82-MM, HE
TYPE 53, 82-MM, HE
TYPE 53, 82 MM, SMOKE, WP
TYPE 63, 60 MM, HE

N.E.W. 9.00 G





FRENCH PROJECTILE FUZE, PD, SC 14E



U.K. LANDMINE FUZE, AT, PRESSURE, NO. 3 MK 1

Ordnance used with:
 GS MK IV, AT
 MK 4, G.S., ANTITANK MINE
 MK IV, G.S. ANTITANK
 GS MK V, AT
 MK 5, G.S., ANTITANK
 GS MK V HC, AT
 GS MK VC, AT

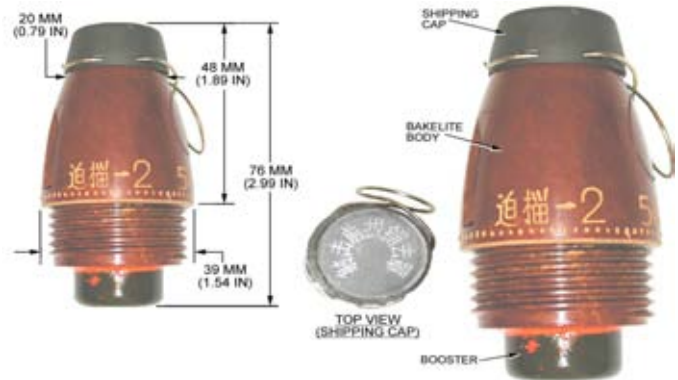
CHINESE PROJECTILE FUZE, PD, MM-6

Ordnance used with:
UNKNOWN, 82 MM, MORTAR, HE
SAEGHEH, 40MM, HE
TYPE 42-832, 82MM, HE, MORTAR
SAEGHEH, CARTRIDGE, 40MM, HE

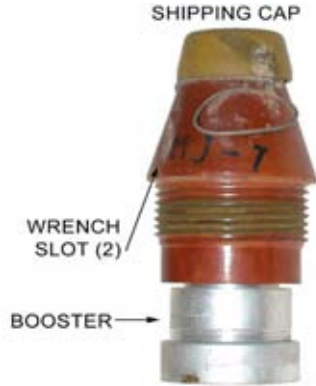


N.E.W. 8.37 G

CHINESE PROJECTILE FUZE, PD, MODEL-2

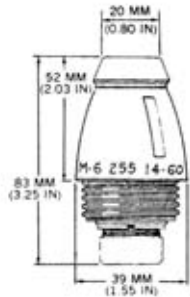


N.E.W. 6.80 G



CHINESE ROCKET FUZE, PI, MJ-7

Ordnance used with:
 DZGI-40, 75MM, APERS, BOUNDING
 TYPE 69, 75 MM, APERS, BOUNDING



U.S.S.R. PROJECTILE FUZE, PD, M-6

Ordnance used with:
 M30, 82MM, MORTAR, HE
 O-832DU, 82-MM, FRAG
 O-832D, 82-MM, MORTAR, FRAG
 D-832, 82-MM, MORTAR, SMOKE, WP
 D-832DU, 82-MM, MORTAR, SMOKE, WP
 O-832, 82-MM, FRAG
 UNKNOWN, 75 MM, HE
 N.E.W. 8.00 G

BULGARIAN PROJECTILE FUZE, PD, RGM-2

Ordnance used with:
FE-462, 122 MM, HE, FRAG
FE-462, 122MM, HE



BULGARIAN PROJECTILE FUZE, PDSD, VUBS-1M



N.E.W. 12.50 G



BULGARIAN ROCKET FUZE, PD, V-5K

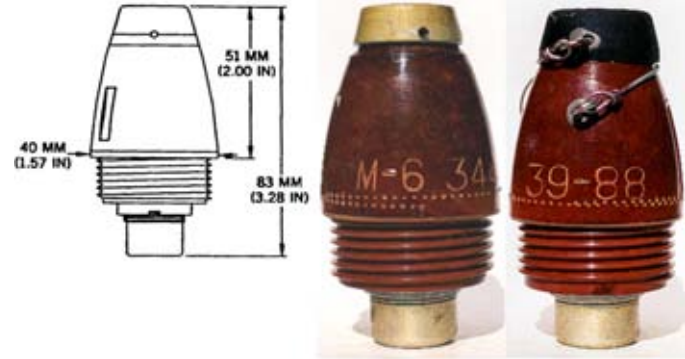


CHINESE PROJECTILE FUZE, PD, M-12

Ordnance used with:
 TYPE 843, 120-MM, HE
 TYPE 843B, 120 MM, HE
 TYPE 55, 120-MM, HE
 TYPE 71, 100MM, HE, MORTAR
 NASR, 81-MM, HE, A-TO-S OR S-TO-S
 NASSAR 81, 81-MM, HE, A-TO-S OR S-TO-S
 NASSER 81, 81-MM, HE, A-TO-S OR S-TO-S
 N.E.W. 30.00 G

CHINESE PROJECTILE FUZE, PD, M-6

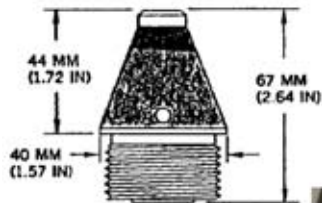
Ordnance used with:
OG-7V, 40MM, CARTRIDGE, FRAG
OG-7VM, 40MM, CARTRIDGE, FRAG
TYPE 53, 82 MM, SMOKE, WP
UNKNOWN, 75 MM, HE
UNKNOWN, 82 MM, MORTAR, HE
MDL. UNKNOWN, 60MM, MORTAR, HE
UNKNOWN, 60MM, CARTRIDGE, MORTAR, HE
N.E.W. 8.00 G



CHINESE PROJECTILE FUZE, PD, ML-4A

Ordnance used with:
TYPE 54, 122-MM, HE
TYPE 83, 122MM, HE-FRAG, BB
TYPE 83, 122MM, HE-FRAG, HB





CHINESE PROJECTILE FUZE, PD, MODEL ML-2

Ordnance used with:
 TYPE 59, 57MM, CARTRIDGE, HE
 TYPE 59, 57MM, HE

N.E.W. 8.00 G



CHINESE PROJECTILE FUZE, PD, TYPE 2

Ordnance used with:
 MDL. 64, 82-MM, HE-FRAG
 TYPE 64, 82MM, HE-FRAG

N.E.W. 19.00 G

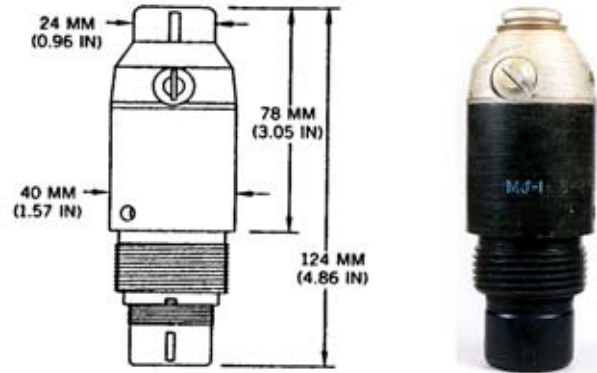
CHINESE PROJECTILE FUZE, PD, TYPE 429

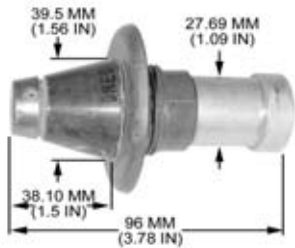


N.E.W. 12.00 G

CHINESE ROCKET FUZE, PD, MJ-1

Ordnance used with:
TYPE 63-2, 107MM, HE, GROUND
TYPE 63-II, 107MM, HE
TYPE 82, 130MM, HE
TYPE 63, 130 MM, SP
TYPE 82, 130 MM, HEI
TYPE 63-1, WARHEAD, 107 MM, INCENDIARY
TYPE 63-1, 107-MM, INCENDIARY, WP





CHINESE ROCKET FUZE, PI, DREOI

Ordnance used with:
 DZGI-40, 75MM, APERS, BOUNDING
 TYPE 69, 75 MM, APERS, BOUNDING



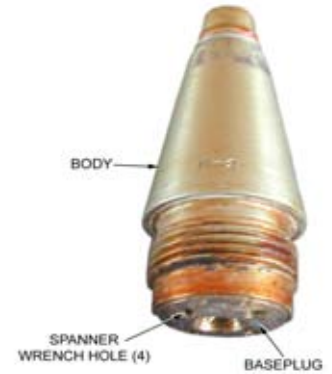
IRANIAN PROJECTILE FUZE, PD, MM-6

Ordnance used with:
 SAEGHEH, 40MM, HE
 MDL. UNKNOWN, 60MM, MORTAR, HE
 SAEGHEH, CARTRIDGE, 40MM, HE
 UNKNOWN, 60MM, CARTRIDGE, MORTAR, HE

N.E.W. 8.30 G

NORTH KOREAN PROJECTILE FUZE, PD, PI-2

Ordnance used with:
O-881, 82 MM, FRAG
O-881, CARTRIDGE, 82MM, FRAGMENTATION

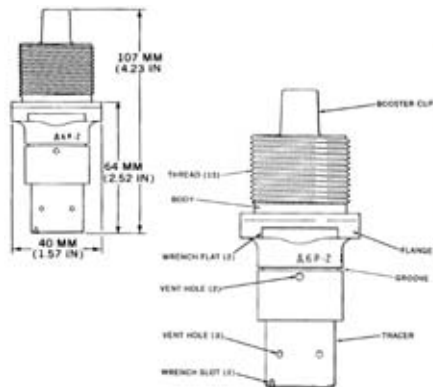


N.E.W. 1.00 G

U.S.S.R. BOMB FUZE, AMV-AE2

Ordnance used with:
OFAB 100 120, BOMB, FRAG

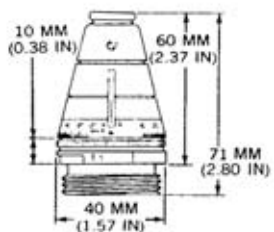




U.S.S.R. PROJECTILE FUZE, BD, DBR-2

Ordnance used with:
 TYPE 367, 85-MM, CARTRIDGE, APHE-T
 UBR-367, 85-MM, CARTRIDGE, APHE-T
 BR-367, 85-MM, APHE-T
 TYPE 367, 85-MM, APHE-T
 TYPE 376, 85-MM, APHE-T
 PSV, 100-MM, APHE-T
 BR 412B, 100-MM, AP-T

N.E.W. 0.00 G



U.S.S.R. PROJECTILE FUZE, NOSE, (TSQ), T-1

Ordnance used with:
 KT-8, 82-MM, MORTAR, ILLUM
 O-365, 85-MM, PROJECTILE, HE, (2 PIECE)
 S-832S, 82-MM, ILLUM
 S-832SM, 82 MM, ILLUM
 S-843, 120-MM, MORTAR, ILLUMINATION
 MDL. UNKNOWN, 120-MM, INCENDIARY
 3D14, 120-MM, MORTAR, SMOKE

N.E.W. 9.00 G

U.S.S.R. PROJECTILE FUZE, PD, GO-2

Ordnance used with:

OG-7V, 40MM, CARTRIDGE, FRAG

OG-7VM, 40MM, CARTRIDGE, FRAG

OG-9, 73-MM, HE-FRAG

OG-9M, 73-MM, HE-FRAG

OG-7V, 40MM, FRAG

OG-7VE, RKT PROPELLED, 85/40 MM, HE

OFG-7, RKT PROPELLED, 57/40 MM, HE

N.E.W. 8.95 G



U.S.S.R. PROJECTILE FUZE, PD, GVMZ-7

Ordnance used with:

3100/843

MDL. 3100-843, 120-MM, SMOKE WP

F-843, 120-MM, MORTAR, HE

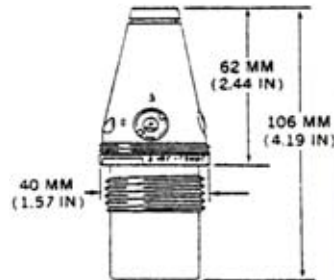
F-852, 160-MM, MORTAR, HE

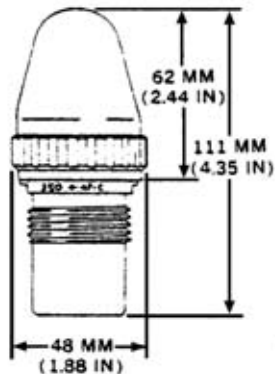
F-853A, 160-MM, MORTAR, HE

F-853AU, 160-MM, MORTAR, HE

F 853U, 160-MM, MORTAR, HE

N.E.W. 15.00 G





U.S.S.R. PROJECTILE FUZE, PD, GVMZ-7, WITH SHIPPING COVER

Ordnance used with:

3100/843

MDL. 3100-843, 120-MM, SMOKE WP

F-843, 120-MM, MORTAR, HE

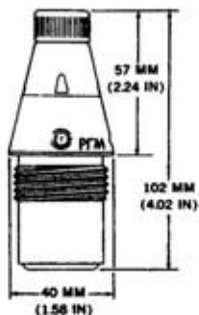
F-852, 160-MM, MORTAR, HE

F-853A, 160-MM, MORTAR, HE

F-853AU, 160-MM, MORTAR, HE

F 853U, 160-MM, MORTAR, HE

N.E.W. 15.00 G



U.S.S.R. PROJECTILE FUZE, PD, RGM

Ordnance used with:

EF-412

OF-412, 100-MM, FRAG-HE

HE-462, 122MM, HE-FRAG

OF-462, 122-MM, HE-FRAG

0-460A, 122-MM, FRAG

DTS-471, 122-MM, SMOKE

F-412, 100-MM, FRAG-HE

N.E.W. 16.00 G

U.S.S.R. PROJECTILE FUZE, PD, RGM-2

Ordnance used with:

EF-412

OF-412, 100-MM, FRAG-HE

HE-462, 122MM, HE-FRAG

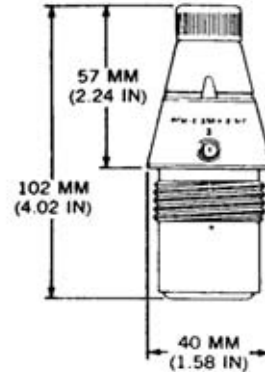
OF-462, 122-MM, HE-FRAG

O-460A, 122-MM, FRAG

MDL. UNKNOWN, 122-MM, CHEMICAL (NON-PERSISTANT)

D-4, 122-MM, SMOKE, WP

N.E.W. 16.00 G



U.S.S.R. PROJECTILE FUZE, PD, RGM-2M

Ordnance used with:

HE-462, 122MM, HE-FRAG

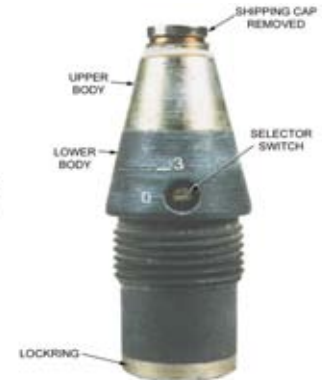
OF-462, 122-MM, HE-FRAG

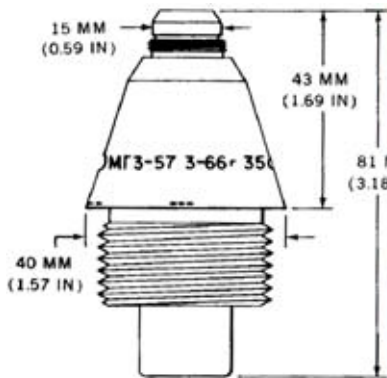
OF25, 152-MM, FRAG-HE

OF-56, 122-MM, FRAG-HE

OF-56, 122-MM, HE

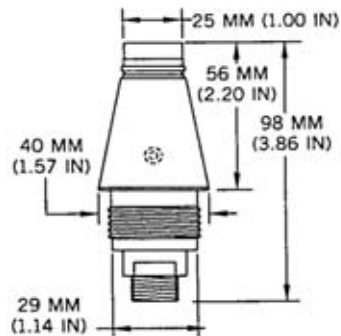
OF-56-1, 122-MM, HE





U.S.S.R. PROJECTILE FUZE, PSD, MGZ-57

Ordnance used with:
 OR-281, 57-MM, FRAG-T
 OR-281U, 57-MM, FRAG-T
 UOR-281U, CARTRIDGE, 57MM X 348MM, FRAG-T
 UOR-281, CARTRIDGE, 57MM X 348MM, FRAG-T



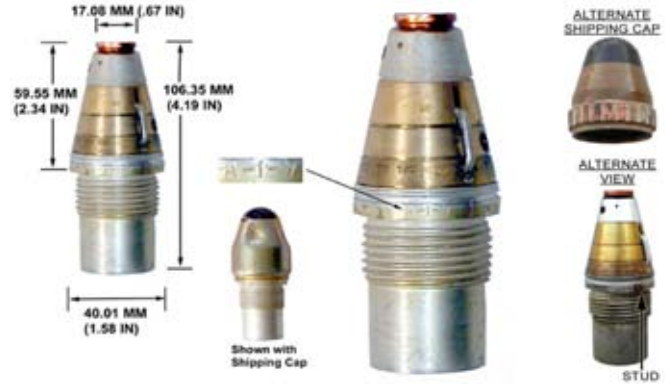
U.S.S.R. PROJECTILE FUZE, PIBD, GPV-2

Ordnance used with:
 BK-2M, 85-MM, HEAT-FS
 BK-354M, 76-MM, HEAT-FS
 BK-4M, 115-MM, HEAT-FS
 BK-6M, 122-MM, HEAT-FS
 BK463UM, 122-MM, HEAT-FS
 UBK-4M, CARTRIDGE, 100-MM, HEAT-FS
 HXG, 100-MM, HEAT-T
 N.E.W. 5.00 G

U.S.S.R. PROJECTILE FUZE, TSQ, D-1-U

Ordnance used with:
OF-18, 115-MM, HE-FRAG
3OF26, 125-MM, FRAG-HE
OF-26, 125-MM, FRAG-HE
OF-540, 152-MM, FRAG-HE
OF540, 15-MM, FRAG-HE
OF-56, 122-MM, FRAG-HE
OF-56, 122-MM, HE

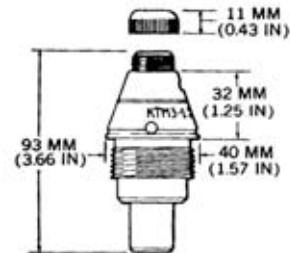
N.E.W. 17.00 G

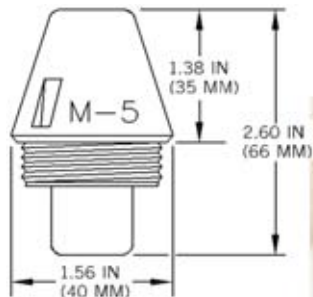


U.S.S.R. PROJECTILE FUZES, PD, KTM-1, KTM-1U, KTM-2, KTM-3, KTMZ-1, KTMZ-1U AND KTMZ-2

Ordnance used with:
MDL OF, 85-MM, HE-FRAG
O-240, 45-MM, HE-FRAG
O-271, 57-MM, FRAG
O-271-U, 57-MM, FRAG
O-350A, 76-MM, FRAG
O-365, 85-MM, PROJECTILE, HE, (2 PIECE)
O-365K, 85-MM, FRAG

N.E.W. 9.00 G

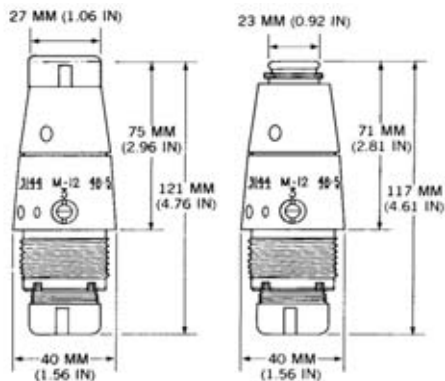




U.S.S.R. PROJECTILE FUZES, PD, M-5 AND M-5M

Ordnance used with:
 O-832DU, 82-MM, FRAG
 O-832D, 82-MM, MORTAR, FRAG
 D-832, 82-MM, MORTAR, SMOKE, WP
 D-832DU, 82-MM, MORTAR, SMOKE, WP
 OF-843, 120-MM, MORTAR, FRAG-HE
 OF-843A, 120-MM, MORTAR, HE-FRAG
 O-832, 82-MM, FRAG

N.E.W. 11.00 G



U.S.S.R. PROJECTILE FUZES, PD, M12 & V-22

Ordnance used with:
 3100/843
 MDL. 3100-843, 120-MM, SMOKE WP
 D-5, 120-MM, MORTAR, SMOKE (WP)
 F-843, 120-MM, MORTAR, HE
 OF-843, 120-MM, MORTAR, FRAG-HE
 OF-843A, 120-MM, MORTAR, HE-FRAG
 3OF-843B, 120-MM, CARTRIDGE, MORTAR, FRAG-HE

N.E.W. 28.00 G

U.S.S.R. ROCKET FUZE, NOSE, PD, V-25

Ordnance used with:

F-961, 240 MM, SPIN STABILIZED, HE, S-TO-S

F-961U, 240 MM, SPIN STABILIZED, HE, S-TO-S

M-14-OF, 140 MM, HE-FRAG

MDL. UNKNOWN, WHD, 140 MM, CHEMICAL, NON-PERS...



U.S.S.R. ROCKET FUZE, PD, V-5K

Ordnance used with:

UB-16-57-U, 57-MM, LAUNCHER, RKT

C-5K, 57-MM, HEAT, A-TO-S

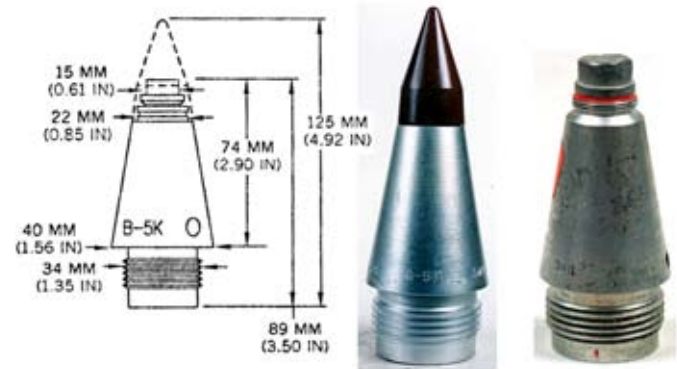
S-5K, 57-MM, HEAT, A-TO-S

S-5KO, 57-MM, WARHEAD, HEAT-FRAG, A-TO-S

S-5K1, 57-MM, HEAT, A-TO-S

C-5MO, 57-MM, HE/FRAG, A-TO-S

S-5MO, 57-MM, HE/FRAG, A-TO-S





U.S.S.R. ROCKET FUZE, PD, V-8

Ordnance used with:
S-8-OF, 80-MM, HE/FRAG, A-TO-S
S-8-OF, WARHEAD, 80-MM, HE/FRAG, A-TO-S
S-8-OF, 80-MM, MOTOR, SOLID PROPELLANT, A-TO-S

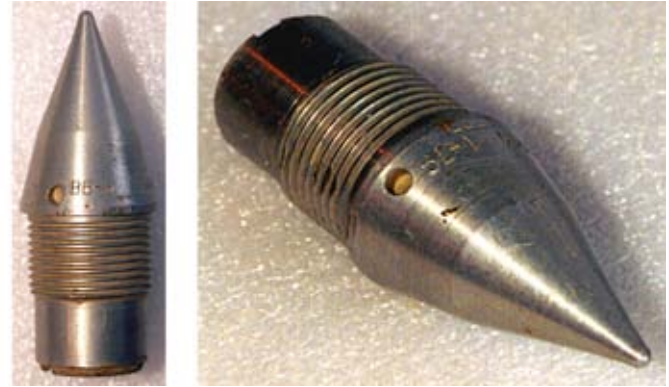


U.S.S.R. ROCKET FUZE, PDSD, V-5M1

Ordnance used with:
UB-16-57-U, 57-MM, LAUNCHER, RKT
S-5KO, 57-MM, WARHEAD, HEAT-FRAG, A-TO-S
S-5M, 57-MM, HE, A-TO-S
S-5M1, 57-MM, HE-FRAG, A-TO-S
C-5MO, 57-MM, HE/FRAG, A-TO-S
S-5MO, 57-MM, HE/FRAG, A-TO-S
S-50, ILLUMINATION, A-TO-S

U.S.S.R. ROCKET FUZE, VB-5

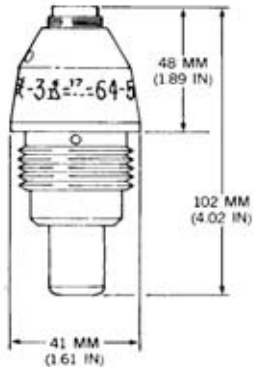
Ordnance used with:
S-5-OB, 57-MM, WARHEAD, ILLUMINATION, A-TO-S
S-5-01, 57-MM, ILLUMINATION, A-TO-S
S-5-OB, 57-MM, ILLUMINATION, A-TO-S



YUGOSLAV PROJECTILE FUZE, PD, UTU, M78 / AU-29

Ordnance used with:
M62P3, 120-MM, MORTAR, HE
M77, 120-MM, MORTAR, HERA
M62, 120-MM, HE, MORTAR
M95A, 120-MM, MORTAR, HE
M62P5, 120-MM, HE, MORTAR
M95A, 120-MM, MORTAR, CARTRIDGE, HE
M77, 120-MM, CARTRIDGE, MORTAR, HERA, FRAG
N.E.W. 16.00 G

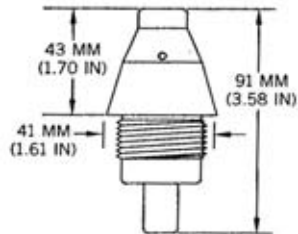




CHINESE PROJECTILE FUZE, PD, TYPE 1 (ARTILLERY)

Ordnance used with:
TYPE 26.12, 75MM, HE
UNKNOWN, 57 MM, HE
UNKNOWN, 75 MM, HE

N.E.W. 8.00 G



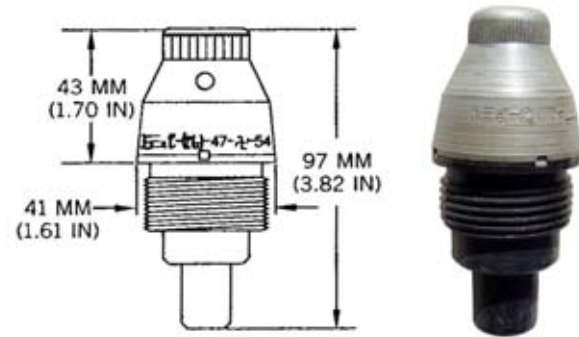
CHINESE PROJECTILE FUZE, PD, TYPE 53 MODEL 1

Ordnance used with:
MDL. UNKNOWN, 105 MM, HE
UNKNOWN, CARTRIDGE, 105MM, HE

N.E.W. 14.00 G

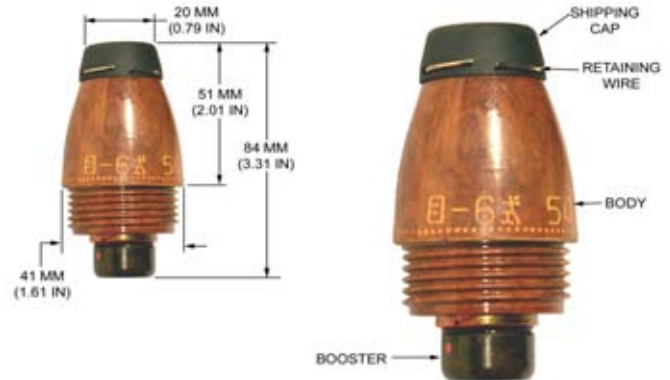
CHINESE PROJECTILE FUZE, PD, TYPE 53 MODEL 2

Ordnance used with:
UNKNOWN, 75 MM, HE



CHINESE PROJECTILE FUZE, PD, TYPE 6 (M30P-1)

Ordnance used with:
M30, 82MM, MORTAR, HE
TYPE 52, 75 MM, HE, RR
TYPE 52, CARTRIDGE, 75MM, HE
MDL. UNKNOWN, SHIPPING-STORAGE CONTAINER FOR ...





CHINESE PROJECTILE FUZE, PIBD TYPE 1 (SPECIAL)

Ordnance used with:
TYPE 52, 75 MM, RR, HEAT

N.E.W. 2.00 G

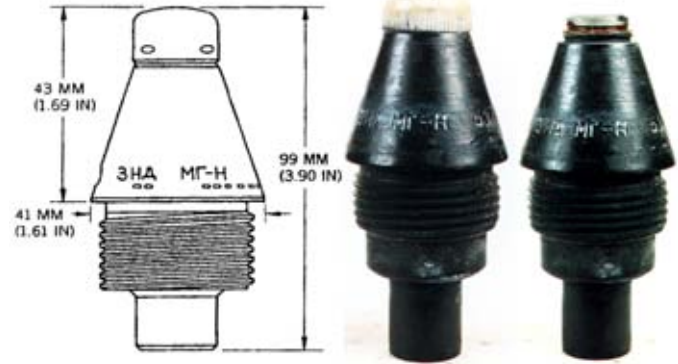


CHINESE PROJECTILE FUZE, PIBD, TYPE 1

Ordnance used with:
TYPE 52, 75 MM, RR, HEAT

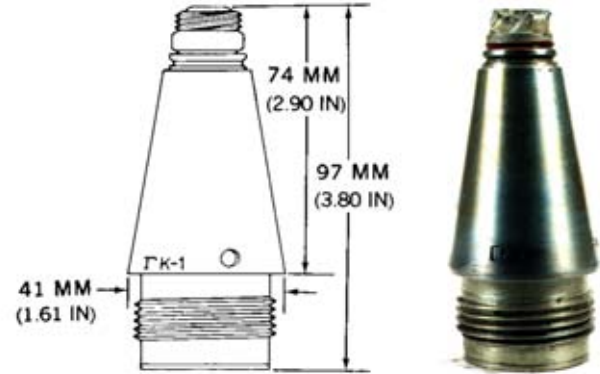
U.S.S.R. PROJECTILE FUZE, PD, MG-N

Ordnance used with:
O-350A, 76-MM, FRAG
OF-350, 76-MM, HE-FRAG
OF-350A, 76-MM, HE-FRAG
OF-350, 76-MM, HE
M69, 85-MM, HE
UO-367A, CARTRIDGE, 85MM, FRAG

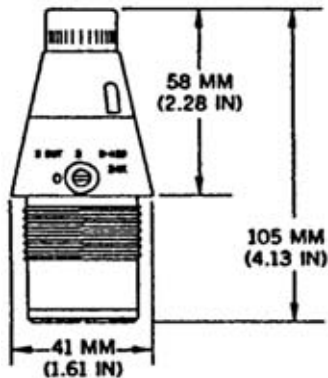


U.S.S.R. PROJECTILE FUZE, PD, OR PIBD, GK-1

Ordnance used with:
BK-881, 82-MM, CARTRIDGE, HEAT
OG-82, 82 MM, FRAG-HE
PG-82, 82 MM, HEAT
GK-662, 82 MM, WARHEAD, HEAT
GO-662, 82 MM, WHD.
O-881, CARTRIDGE, 82MM, FRAGMENTATION



N.E.W. 2.00 G



U.S.S.R. PROJECTILE FUZES, PD, V-429 AND V-429E

Ordnance used with:

EF-412

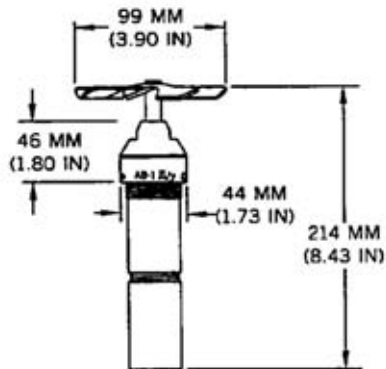
OF-412, 100-MM, FRAG-HE

BP-460A, 122-MM, HEAT

MDL. UNKNOWN, 122-MM, CHEMICAL (NON-PERSISTANT)

DTS-1, 130-MM, SMOKE, WP

N.E.W. 16.00 G



U.S.S.R. BOMB FUZE, NOSE & TAIL, AV-1 D/U

Ordnance used with:

UNKNOWN, 100KG, HIGH-DRAG

MDL. 518, 452MM, HE

FAB-250 M46, BOMB, GENERAL PURPOSE

FAB-250 M54, BOMB, GENERAL PURPOSE

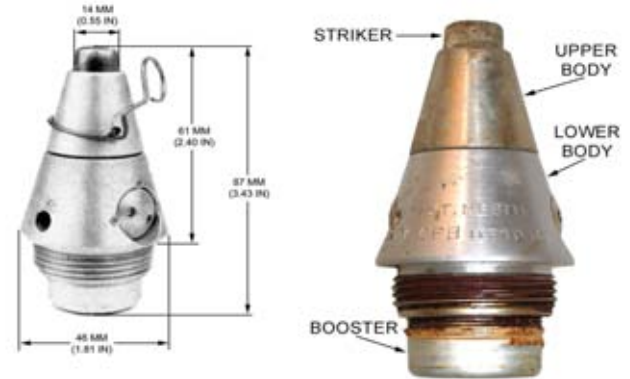
N.E.W. 52.00 G

YUGOSLAV PROJECTILE FUZE, PD, UT M68 P1

Ordnance used with:

M73, 60-MM, HE, MORTAR
TRM73, 60-MM, HE, MORTAR
M72, 81-MM, HE, MORTAR
M73, 60-MM, SMOKE, MORTAR
M73, 60MM, CARTRIDGE, SMOKE, MORTAR
M62P3, 120-MM, MORTAR, HE
M74A1, 82-MM, MORTAR, HE

N.E.W. 23.45 G

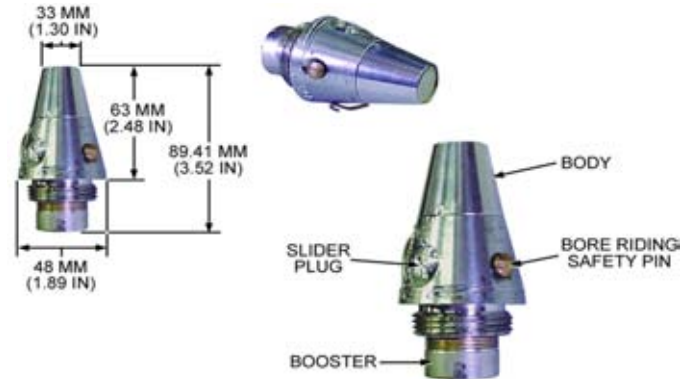


AUSTRIAN PROJECTILE FUZE, PD, M52B1

Ordnance used with:

HE 83 LD
HE 83, 82-MM, MORTAR, HE
HE83 LD, 82MM, HE
HE 83 LD, CARTRIDGE, 82MM, HE

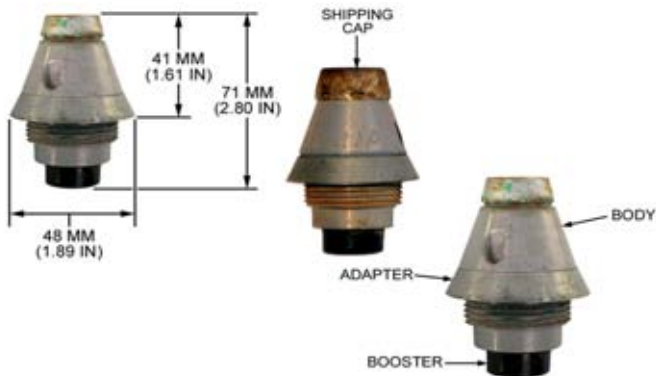
N.E.W. 17.42 G





AUSTRIAN PROJECTILE FUZE, PD, PDM525

Ordnance used with:
 NR431A1, 60MM, HE
 AR-M60, 60MM, HE, MORTAR
 HE 80, 60-MM, HE
 NR 431 A1, 60MM, CARTRIDGE, HE
 UNKNOWN, 60MM, MORTAR, HE
 UNKNOWN, 60MM, CARTRIDGE, MORTAR, HE
 HE 83 LD

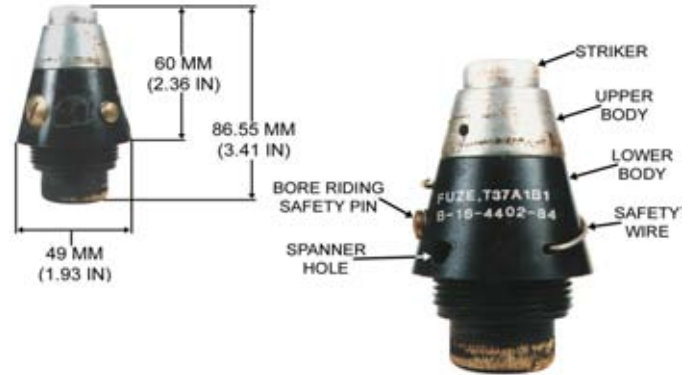


CHINESE PROJECTILE FUZE, PD, PAI-1A

Ordnance used with:
 TH521, 82-MM, HE
 TYPE 53, 82-MM, HE
 TYPE 53, 82 MM, SMOKE, WP
 TYPE 53, 82MM, CARTRIDGE, HE, MORTAR
 M43A1, CARTRIDGE, 81MM, HE
 M43A1, 81MM, HE
 M-57D MK 1, 82MM, MORTAR, HE
 N.E.W. 6.80 G

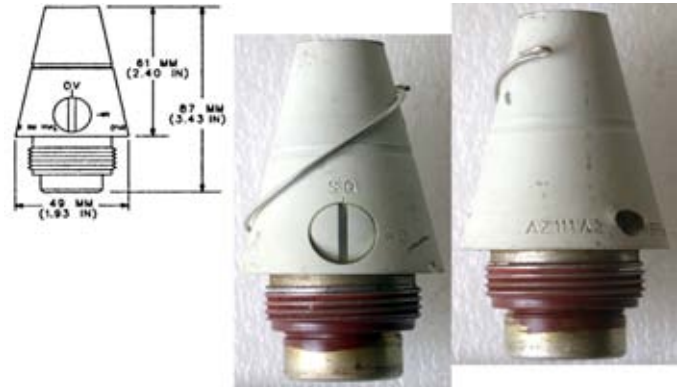
AUSTRIAN PROJECTILE FUZE, PD, T37A1B1

Ordnance used with:
HE 70, 81-MM, HE
HE 70LD, 81-MM, MORTAR, LONG DISTANCE, HE
AR-M60, 60MM, HE, MORTAR
HE 80, 60-MM, HE
HE 83 LD
HE 83, 82-MM, MORTAR, HE
HE83 LD, 82MM, HE



GERMAN (FEDERAL REPUBLIC) PROJECTILE FUZE, PD, DM111A2, (AZ 111 A2), AZ DM 111A2

Ordnance used with:
NR431A1, 60MM, HE
BPD-IM1, 81-MM MORTAR, HE
NM123, 81-MM, HE
HE 70, 81-MM, HE
HE 70LD, 81-MM, MORTAR, LONG DISTANCE, HE
UNKNOWN, 60-MM, HE
64, 81-MM, HE
N.E.W. 15.00 G





IRANIAN PROJECTILE FUZE, PD, AZ111

Ordnance used with:
 M73, 60-MM, HE, MORTAR
 TRM73, 60-MM, HE, MORTAR
 MDL. UNKNOWN, 60MM, MORTAR, HE
 UNKNOWN, 120MM, MORTAR, HE
 UNKNOWN, 60MM, MORTAR, HE
 UNKNOWN, 60MM, CARTRIDGE, MORTAR, HE
 M73, CARTRIDGE, 60-MM, MORTAR



IRANIAN PROJECTILE FUZE, PD, AZJV111A2

Ordnance used with:
 NR431A1, 60MM, HE
 NR 431 A1, 60MM, CARTRIDGE, HE

N.E.W. 18.00 G

PAKISTANI PROJECTILE FUZE, PD, PAI-1A

Ordnance used with:

UNKNOWN, 60-MM, MORTAR, HE

UNKNOWN, 60-MM, SMOKE, WP, MORTAR

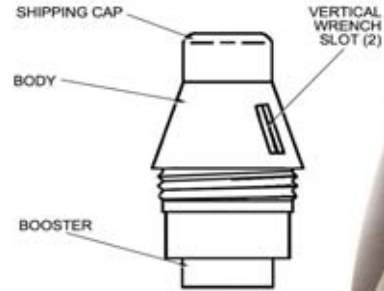
UNKNOWN, 60-MM, CARTRIDGE, MORTAR, HE

UNKNOWN, 60-MM, CARTRIDGE, MORTAR, SMOKE, WP

M57 DA-2, 81MM, MORTAR, HE

M-57D MK 1, 82MM, MORTAR, HE

M-57D MK 1, CARTRIDGE, 82MM, MORTAR, HE



SPANISH PROJECTILE FUZE, PD, PDB 332

Ordnance used with:

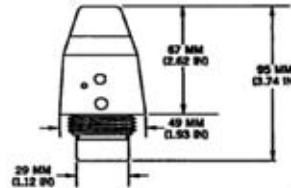
ER, 82MM, HE, MORTAR

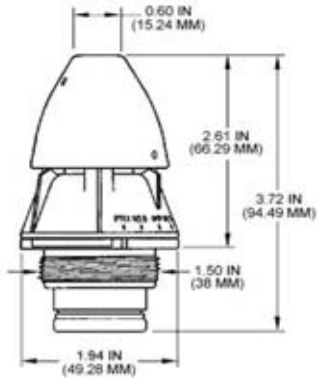
M96, 82-MM, HE, MORTAR

ER, 82MM, CARTRIDGE, HE, MORTAR

M96, 82MM, CARTRIDGE, HE, MORTAR

ER, 82MM, SMOKE, WP, MORTAR (EXTENDED RANGE)





U.S. PROJECTILE FUZE, MULTIOPTION, M734

Ordnance used with:

- M821, 81-MM, HE
- M821A1, 81MM, HE
- M888, 60-MM, HE, MORTAR
- M889, 81-MM, HE
- M889A1, 81MM, HE
- M933, PROJECTILE, 120-MM, HE, MORTAR
- M934, CARTRIDGE, 120-MM, MORTAR, HE

N.E.W. 8.42 G



IRANIAN PROJECTILE FUZE, PD, AZ111-A2

Ordnance used with:

- M512, 60-MM, HE, MORTAR
- UNKNOWN, 81MM, HE, MORTAR
- UNKNOWN, 120MM, MORTAR, HE
- M43A1, CARTRIDGE, 81MM, HE
- M43A1, 81MM, HE
- MDL. UNKNOWN, CARTRIDGE, 120MM, HE, MORTAR

U.S. PROJECTILE FUZE, PD, M935

Ordnance used with:

M49A2E1, 60-MM, MORTAR, HE

M49A3, 60-MM, MORTAR, HE

M49A2E1, 60-MM, CARTRIDGE, MORTAR, HE

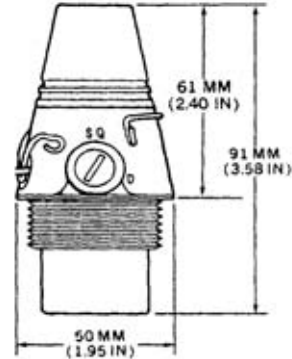
M49A3, 60-MM, CARTRIDGE, MORTAR, HE

M49A4, 60-MM, HE

M50A3, CARTRIDGE, 60-MM, TP

M722, CARTRIDGE, 60-MM, SMOKE, WP

N.E.W. 14.00 G



U.S. BOMB FUZE, TAIL, IMPACT, SHORT DELAY, M905

Ordnance used with:

BLU-110A/B, BOMB, GPLD, 1,000 LB

BLU-111A/B, BOMB, GPLD, 500 LB

BLU-82/B, BOMB UNIT, BLAST, CRADLED

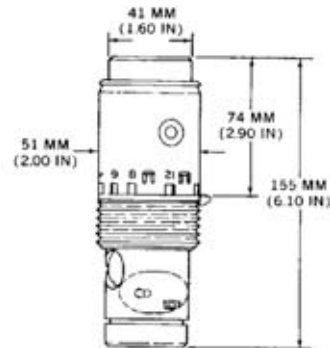
GBU-10/B, BOMB UNIT, GUIDED

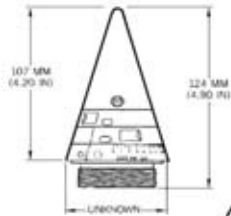
GBU-10A/B, BOMB UNIT, GUIDED

GBU-10C/B, BOMB UNIT, GUIDED

GBU-10D/B, BOMB UNIT, GUIDED

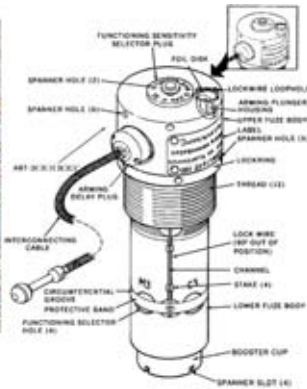
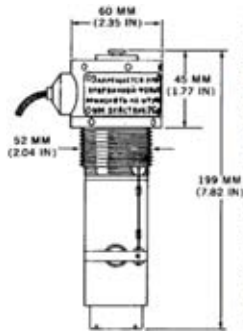
N.E.W. 2.00 G





U.K. PROJECTILE FUZE, PTT, NO. 390 MK 2A

Ordnance used with:
 L32, CARTRIDGE, 76 MM, SMOKE
 SX-1057
 MK 4, 3-INCH, SMOKE, MORTAR

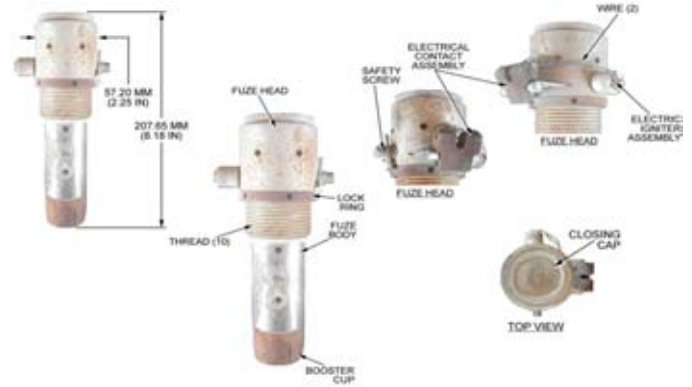


U.S.S.R. BOMB FUZE, NOSE & TAIL, IMPACT, AVT-E

Ordnance used with:
 FAB-1500 M54, BOMB, GENERAL PURPOSE
 FAB-1500 M46, BOMB, GENERAL PURPOSE
 FAB-250 M54, BOMB, GENERAL PURPOSE
 FAB-250 SHN, BOMB, HE, RETARDED, 275 KG
 FAB-500 M46, BOMB, GENERAL PURPOSE
 FAB-500 M54, BOMB, GENERAL PURPOSE
 FAB-500SH, GENERAL PURPOSE, 500 KG

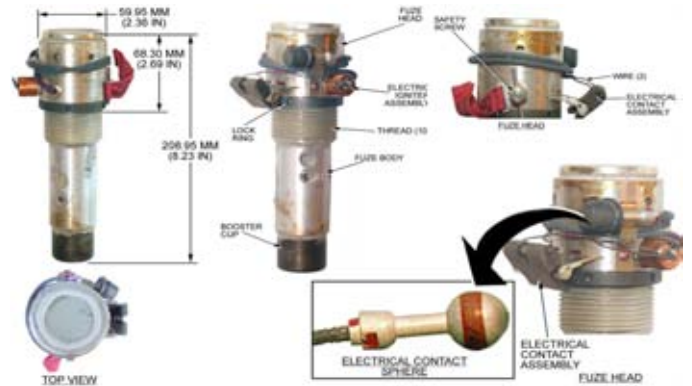
U.S.S.R. BOMB FUZE, NOSE AND TAIL, AVU

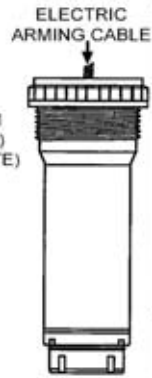
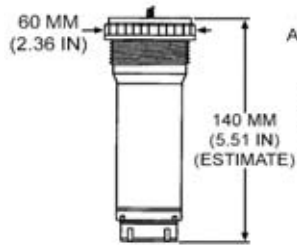
Ordnance used with:
FAB 500, M62, BOMB, GP, 500 KG
OFAB 100 120, BOMB, FRAG
OFAB-250-270, BOMB, FRAGMENTATION



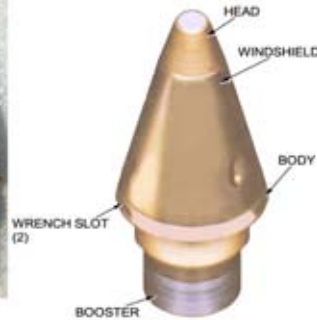
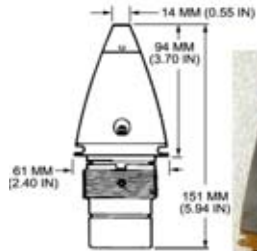
U.S.S.R. BOMB FUZE, NOSE AND TAIL, AVU-ETM

Ordnance used with:
OFAB 100 120, BOMB, FRAG
PF.K ZB250SH, BOOSTER, FIRE BOMB
PFK-ZB 250SH, IGNITER, FIRE BOMB
PFKZB-250SH, IGNITER (INCENDIARY BOMB)
PF.K ZB-500SH, BOOSTER, INCENDIARY





U.S.S.R. BOMB FUZE, NOSE AND TAIL, IMPACT, AVB-E



PAKISTANI PROJECTILE FUZE, PD, PDM 557

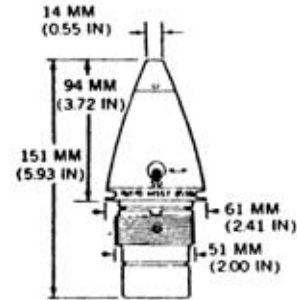
Ordnance used with:
 M125A1, BOOSTER
 M107, 155 MM, HE
 M107, 155 MM, HE
 M106, 203 MM, HE
 UNKNOWN, 105-MM, HE
 UNKNOWN, 105-MM, CARTRIDGE, HE
 UNKNOWN, 105-MM, SMOKE, WP

U.S. PROJECTILE FUZE, PD, M557

Ordnance used with:

- M1, 105-MM, HE
- M101, 155 MM, HE (GUN)
- M104, 155 MM, SMOKE, WP OR FS
- M106, 8-INCH, HE
- M121, 155-MM, GAS, VX
- M121A1, 155-MM, GAS, VX OR GB
- M122, 155-MM, GAS, GB

N.E.W. 24.00 G

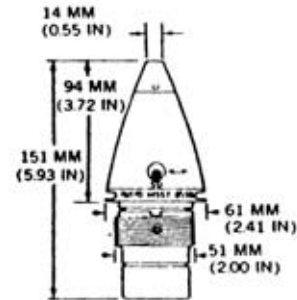


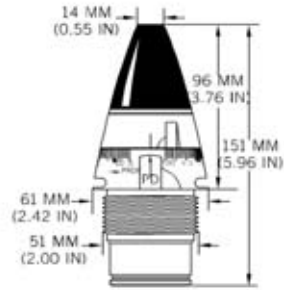
U.S. PROJECTILE FUZE, PD, M557

Ordnance used with:

- M1, 105-MM, HE
- M101, 155 MM, HE (GUN)
- M104, 155 MM, SMOKE, WP OR FS
- M106, 8-INCH, HE
- M121, 155-MM, GAS, VX
- M121A1, 155-MM, GAS, VX OR GB
- M122, 155-MM, GAS, GB

N.E.W. 24.00 G





U.S. PROJECTILE FUZE, PROXIMITY M732

Ordnance used with:

MK 81 MOD 0, 5-IN/54, HE-CVT, HI-FRAG

M1, 105-MM, HE

M106, 8-INCH, HE

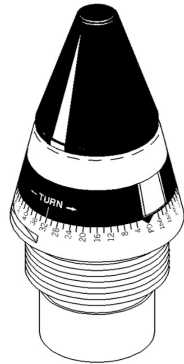
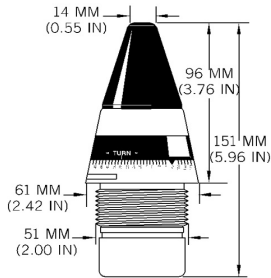
M121A1, 155-MM, GAS, VX OR GB

M329, 4.2-IN (107-MM), HE

M329A1, 4.2-IN (107-MM), HE

M329A1E1, 4.2-IN (107-MM), HE

N.E.W. 5.96 G



U.S. PROJECTILE FUZE, PROXIMITY M732E2 (M732A2)

Ordnance used with:

M1, 105-MM, HE

M106, 8-INCH, HE

M121, 155-MM, GAS, VX

M329, 4.2-IN (107-MM), HE

M329A1, 4.2-IN (107-MM), HE

M329A1E1, 4.2-IN (107-MM), HE

M329A2, 4.2-IN (107-MM), HE

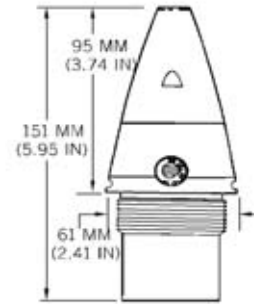
N.E.W. 28.00 G

U.S. PROJECTILE FUZES, PD, MK 399 MODS 0 & 1, AND MK 407 MODS 0 & 1

Ordnance used with:

M60, 105-MM, CARTRIDGE, SMOKE, WP
MK 166 MOD 0, 76-MM/62 CALIBER, HE-PD
MK 58 MOD 0, PROJECTILE, 5-INCH/54, RAP
MK 58 MOD 1, PROJECTILE, 5-INCH/54, RAP
MK 283 MOD 0, 76MM, CARTRIDGE, HE-PD
MK 55, PROJECTILE, 5 INCH/54, HE-CVT
MK 64, PROJECTILE, 5 INCH/54, HE-CVT

N.E.W. 12.27 G

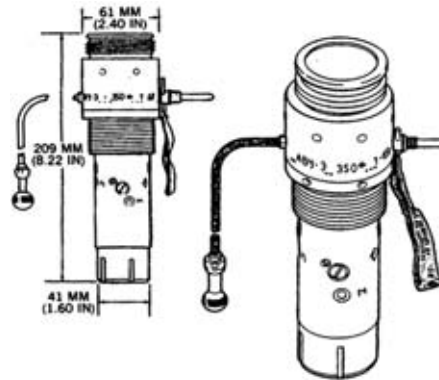


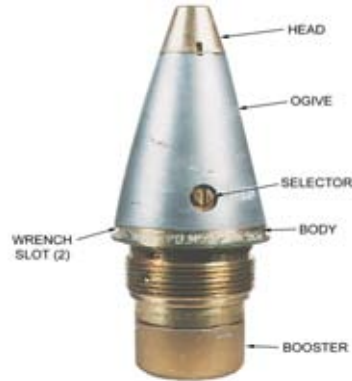
U.S.S.R. BOMB FUZE, NOSE AND TAIL, AVU-E

Ordnance used with:

OFAB 100 120, BOMB, FRAG
FAB-1500 M54, BOMB, GENERAL PURPOSE
FAB-1500 M46, BOMB, GENERAL PURPOSE
FAB-250 M-62, BOMB, GENERAL PURPOSE
FAB-250 M54, BOMB, GENERAL PURPOSE
FAB-250 SHN, BOMB, HE, RETARDED, 275 KG
FAB-3000 M46, BOMB, GENERAL PURPOSE

N.E.W. 63.00 G

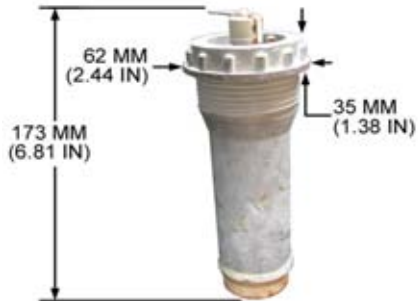




YUGOSLAV PROJECTILE FUZE, PD, UTU M557

Ordnance used with:

- M1, 105-MM, HE
- M1, 105-MM, HE
- M84, 152-MM, HE
- M95, 122-MM, HE
- M60, 105-MM, CARTRIDGE, SMOKE WP
- 462, 122-MM, HE
- M1, CARTRIDGE, 105 MM, HE

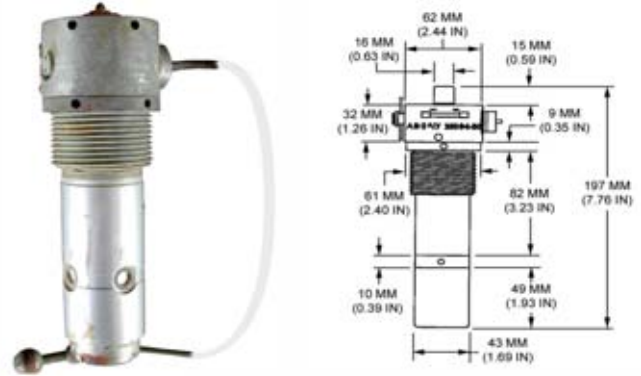


U.S.S.R. BOMB FUZE, AVB-M

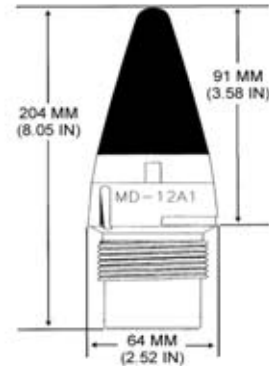
U.S.S.R. BOMB FUZE, NOSE AND TAIL, AV-2 D/U

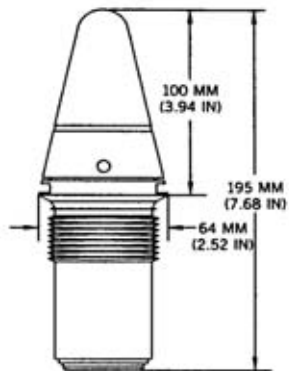
Ordnance used with:

FAB-1500 M54, BOMB, GENERAL PURPOSE
FAB-1500 M46, BOMB, GENERAL PURPOSE
FAB-250 M46, BOMB, GENERAL PURPOSE
FAB-250 M54, BOMB, GENERAL PURPOSE
FAB-250 SHN, BOMB, HE, RETARDED, 275 KG
FAB-3000 M46, BOMB, GENERAL PURPOSE
FAB-500T, BOMB, GENERAL PURPOSE



CHINESE PROJECTILE FUZE, PROXIMITY (VT), MD-12A1

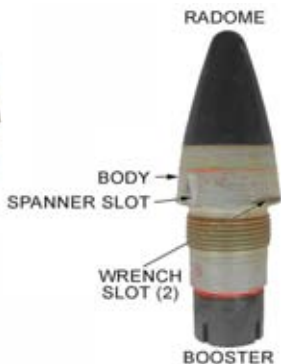




CHINESE PROJECTILE FUZE, PROXIMITY/PD, MD-11

Ordnance used with:
 TYPE 59, 130MM, HE
 TYPE 66 MODIFIED, 152 MM, HE
 TYPE 59 MODIFIED, PROJECTILE, 130-MM, HE

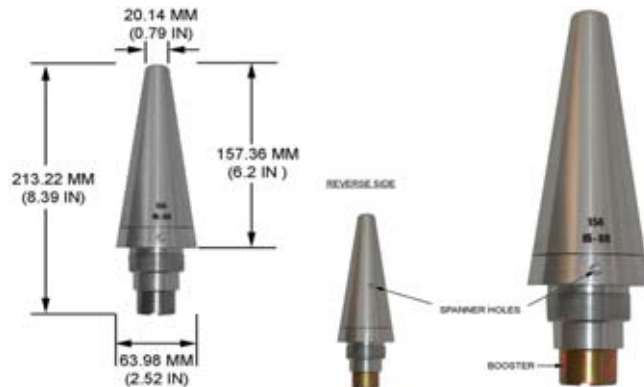
N.E.W. 13.82 G



CHINESE PROJECTILE FUZE, PROXIMITY/PD, MD-12A

N.E.W. 80.02 G

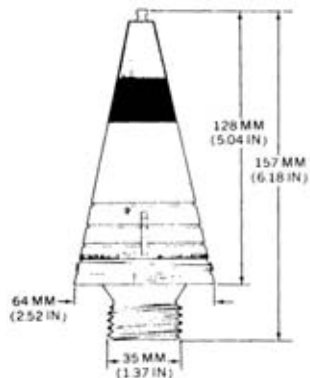
FRENCH ROCKET FUZE, PD, ALL-WAY ACTING, 156



N.E.W. 28.00 G

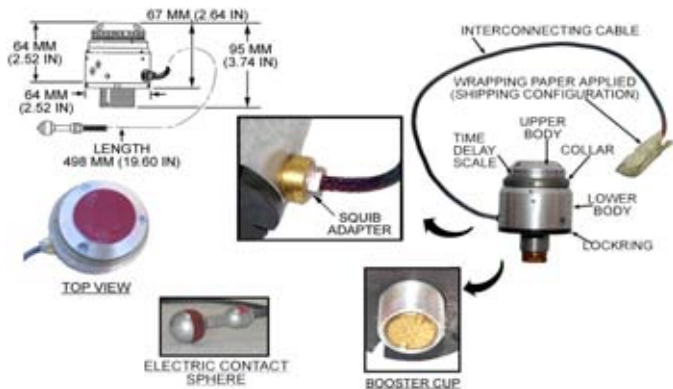
FRENCH ROCKET FUZE, PD, S21





GERMAN (PEOPLE'S REPUBLIC) ROCKET FUZE, PTT, MODEL T-7

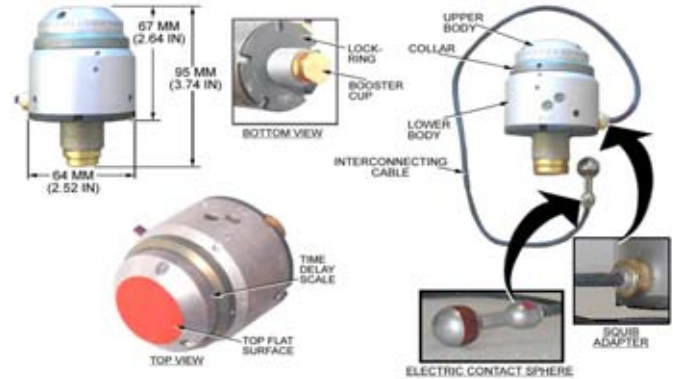
Ordnance used with:
 FLG-5000/M68, 116MM, ILLUMINATION
 MDL. UNKNOWN, 116 MM, ILLUMINATION
 ATI 5000, 116MM, DECOY, (AIR TARGET IMITATOR)
 ATI 5000 (S), 116MM, DECOY (AIR TARGET IMITATOR)



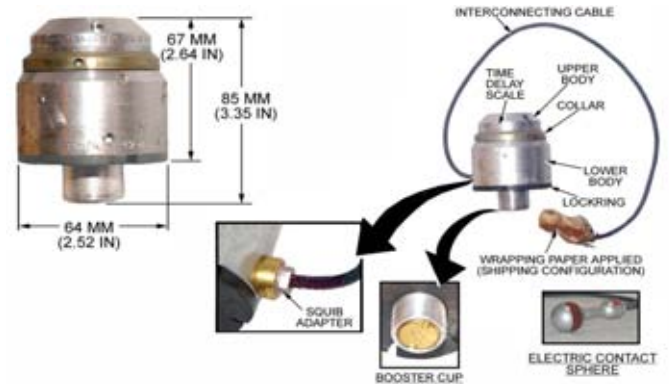
U.S.S.R. BOMB FUZE, ATK-2A

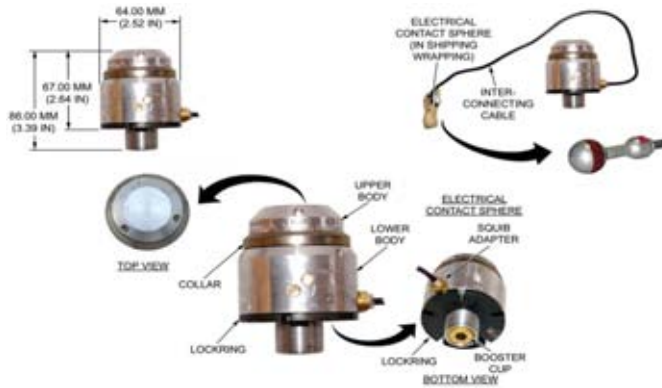
U.S.S.R. BOMB FUZE, ATK-EA

Ordnance used with:
RBK-250-275, DISP.
RBK-500 AO-2.5 RTM, CLUSTER BOMB



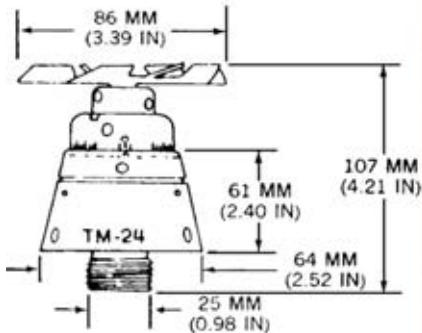
U.S.S.R. BOMB FUZE, MT, ATK-2B





U.S.S.R. BOMB FUZE, MT, ATK-EB

Ordnance used with:
 RBK-250-275, DISP.
 ZAB-50TG TYPE C, BOMB, INCENDIARY
 PTAB-500-225, CLUSTER/DISPENSER
 RBK-500-225, CLUSTER/DISPENSER
 RBK-250, DISP.

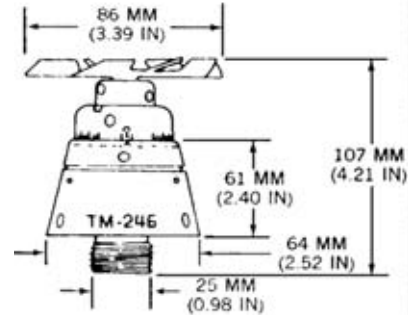


U.S.S.R. BOMB FUZE, NOSE & TAIL, MT, TM-24A

Ordnance used with:
 FAB 100 ZE, BOMB, HE, INCENDIARY
 ZAB 100 TSHCH, CBU, INCENDIARY
 ZAB 50T SHCH, CBU, INCENDIARY
 PROSAB-250, CBU
 BRAB-1000, BOMB, ARMOR PIERCING
 FOTAB-100-80, BOMB, PHOTOFLASH
 KHAB-25, BOMB, CHEMICAL

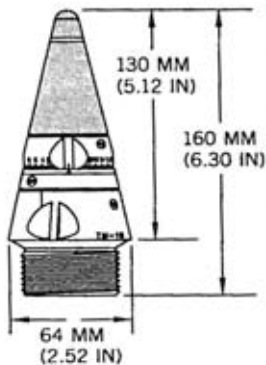
U.S.S.R. BOMB FUZE, NOSE & TAIL, MT, TM-24B

Ordnance used with:
FAB 100 ZE, BOMB, HE, INCENDIARY
P 50 75, BOMB, PRACTICE
ZAB 100 TSHCH, CBU, INCENDIARY
ZAB 50T SHCH, CBU, INCENDIARY
RBK-250, CLUSTER, ADAPTER
RBK-250-275, DISP.
RBK-500, DISP. (OLD STYLE)



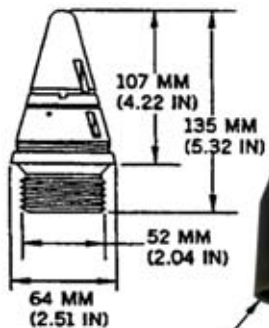
U.S.S.R. BOMB FUZE, NOSE, AVR-5





U.S.S.R. PROJECTILE FUZE, MT, TM-16L

Ordnance used with:
SP-46, 130-MM, ILLUMINATION

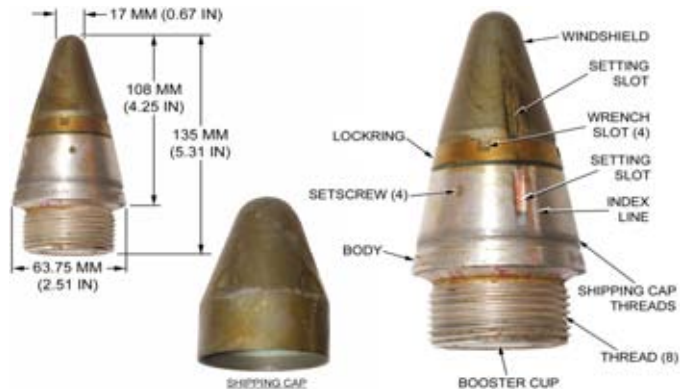


U.S.S.R. PROJECTILE FUZE, MT, VM-30

Ordnance used with:
O-415, 100-MM, FRAG
O-415, 100-MM, HE-FRAG

N.E.W. 6.00 G

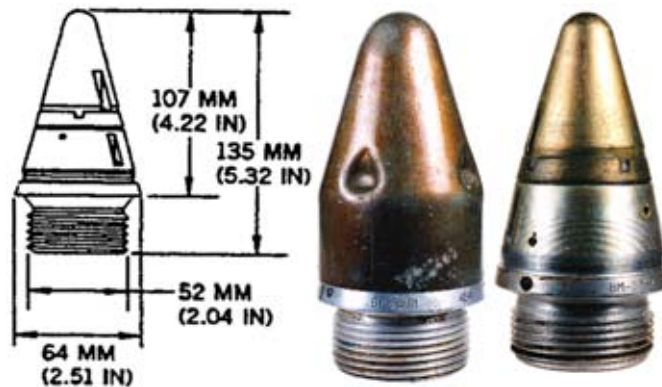
U.S.S.R. PROJECTILE FUZE, MT, VM-30-L1



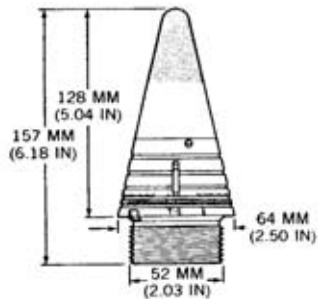
N.E.W. 58.68 G

U.S.S.R. PROJECTILE FUZE, MT, VM-30L

Ordnance used with:
 O-415, 100-MM, FRAG
 O-415, 100-MM, HE-FRAG



N.E.W. 6.00 G

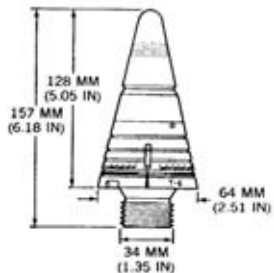


FUZE WITH SHIPPING CAP

U.S.S.R. PROJECTILE FUZES, TIME, T-5 & T-11

Ordnance used with:
 O-365, 85-MM, PROJECTILE, HE, (2 PIECE)
 UO-365, 85-MM, CARTRIDGE, HE
 UO-365K, 85-MM, CARTRIDGE, FRAG
 M69, 85-MM, HE
 O-365 (ONE-PIECE), 85-MM, HE-FRAG

N.E.W. 0.16 LB



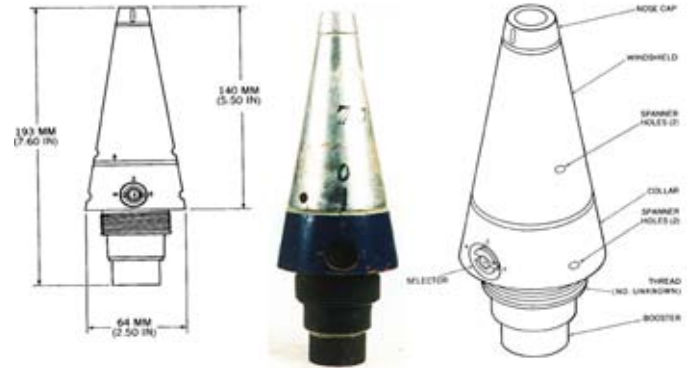
U.S.S.R. PROJECTILE FUZES, TSQ, T-6; & TIME OR TSQ, T-7

Ordnance used with:
 OS-464, 122-MM, ILLUM
 A-462, 122-MM, PROPAGANDA
 S-463, 122-MM, ILLUM
 S-463ZH, 122-MM, ILLUM
 SH-354G, 76-MM, SHRAPNEL

N.E.W. 10.00 G

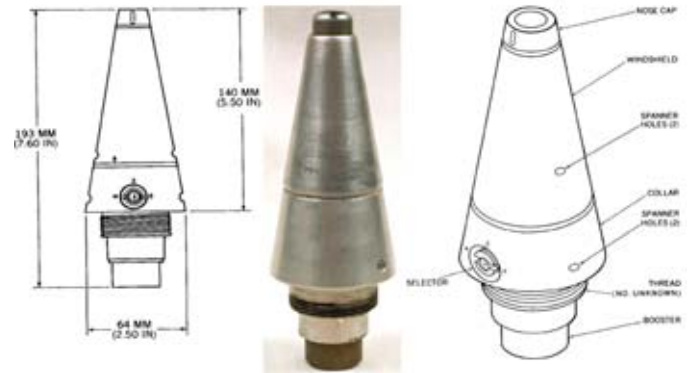
U.S.S.R. ROCKET FUZE, PD, DKZ-B

Ordnance used with:
9M22M, 122 MM, HE-FRAG, 6 FOOT
SAKR-10
UNKNOWN, 122MM, HE, TWO-STAGE, S-TO-S

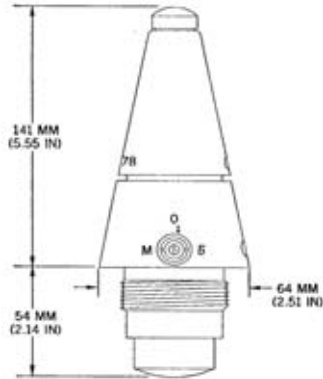


U.S.S.R. ROCKET FUZE, PD, MRV

Ordnance used with:
9M22M, 122 MM, HE-FRAG, 6 FOOT
SAKR-10
UNKNOWN, 122MM, HE, TWO-STAGE, S-TO-S



N.E.W. 88.00 G



U.S.S.R. ROCKET FUZE, PD, MRV-U

Ordnance used with:

9M22M, 122 MM, HE-FRAG, 6 FOOT
SAKR-10

9M22U, 122 MM, HE-FRAG, 9 FOOT

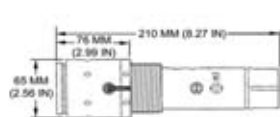
UNKNOWN, 122MM, HE, TWO-STAGE, S-TO-S

MDL UNK, WHD, 122 MM, CHEMICAL, NON-PERSISTANT

9M27F, 220MM, HE

9N128F, WARHEAD, 220MM, HE

N.E.W. 29.00 G



U.S.S.R. BOMB FUZE, NOSE AND TAIL, IMPACT INERTIA, AVU-ET

Ordnance used with:

FAB 500, M62, BOMB, GP, 500 KG

OFAB 100 120, BOMB, FRAG

KAB-500KR, TV GUIDED

OFAB-250-270, BOMB, FRAGMENTATION

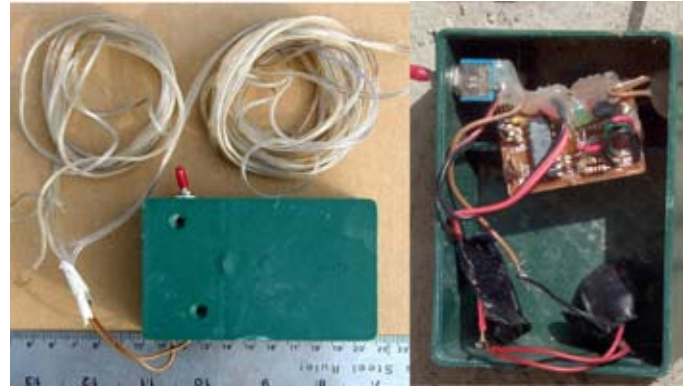
FAB-100 M80, BOMB, GP, 100 KG

UNKNOWN, GUIDANCE KIT

PF.K ZB-500SH, BOOSTER, INCENDIARY

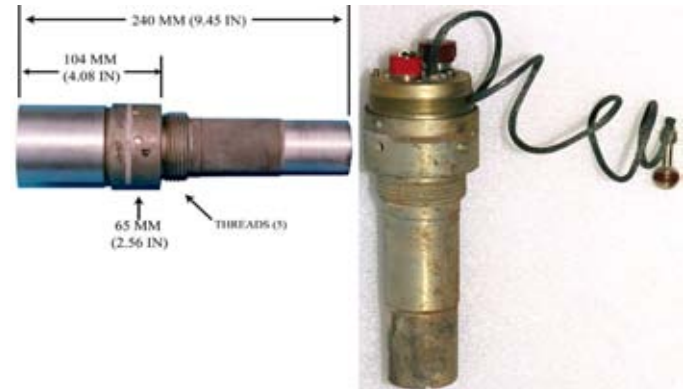
N.E.W. 59.44 G

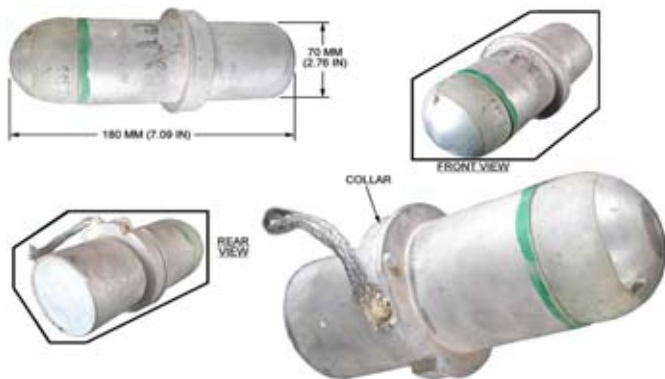
**AFGHAN FIRING DEVICE, ELECTRONIC DELAY,
3/6/12 MINUTE, MODEL UNKNOWN**



**U.S.S.R. BOMB FUZE, NOSE AND TAIL, IMPACT,
AV 527**

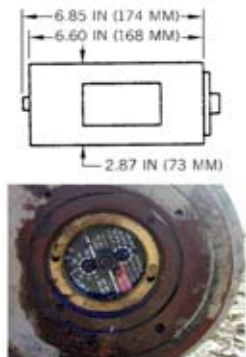
Ordnance used with:
ZAB 500 SH, BOMB, INCENDIARY, 500 KG
RBK-500 BETAB, DISPENSER, BETAB, 500 KG
RBK-500 PTAB-1M, CBU
KP-527, EXPLOSIVE DISCONNECT/DEPLOYMENT MECHANISM
RBK-500 AO-2.5 RTM, CLUSTER BOMB
RBK-500 AO-2.5 RT, CBU
RBK-500 ZAB 2.50SM, CBU





U.S.S.R. BOMB FUZE, UP-581

Ordnance used with:
FAB-500 SHN, GENERAL PURPOSE, 500 KG



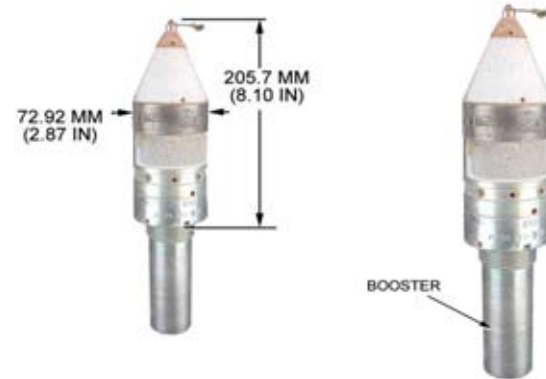
U.S. BOMB FUZES, ELECTRONIC, NOSE AND/OR TAIL, IMPACT, FMU-139A/B AND FMU-139B/B

Ordnance used with:
BLU-110A/B, BOMB, GPLD, 1,000 LB
BLU-111A/B, BOMB, GPLD, 500 LB
DSU-30/B, BOMB TARGET DETECTING DEVICE
DSU-33A(D-2)/B, SENSING ELEMENT, DUMMY
DSU-33A/B, SENSING ELEMENT, PROX.
GBU-10/B, BOMB UNIT, GUIDED
GBU-10A/B, BOMB UNIT, GUIDED

N.E.W. 129.00 G

U.S.S.R. ROCKET FUZE, PROXIMITY, RV-24

Ordnance used with:
S-24, 240-MM, FIXED FIN, HE, A-TO-S

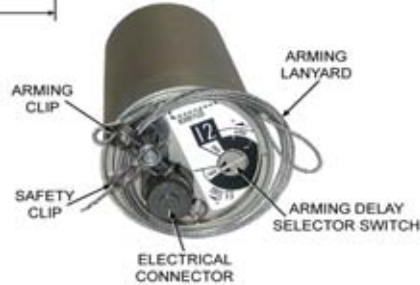


U.S. PROJECTILE FUZE, PD, FMU-153/B

Ordnance used with:
M1 (MOD), CARTRIDGE, 105MM, HE
M1 (MOD), PROJECTILE, 105MM, HE
HF M1 (MOD), CARTRIDGE, 105MM, HE
HF M1 (MOD), 105MM, HE

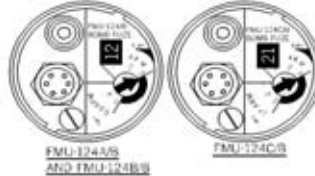
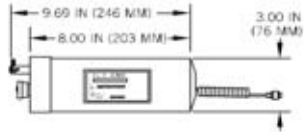


N.E.W. 12.27 G



U.S. BOMB FUZE, NOSE AND TAIL, IMPACT, FMU-143J/B

Ordnance used with:
 GBU-24/B, BOMB UNIT, GUIDED
 GBU-24A/B, BOMB UNIT, GUIDED
 BLU-118/B, PENETRATOR, 2000 LB, THERMOBARIC



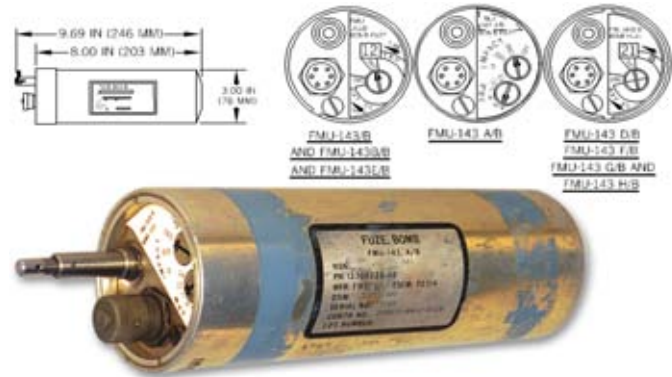
U.S. BOMB FUZES, NOSE & TAIL, IMPACT, FMU-124A/B, FMU-124B/B, AND FMU-124C/B

Ordnance used with:
 GBU-15(V)1/B
 AGM-142A, AIR-TO-GROUND
 HAVE NAP
 AGM-142B, AIR-TO-GROUND
 HAVE NAP
 AGM-142C, AIR-TO-GROUND
 HAVE NAP
 N.E.W. 133.00 G



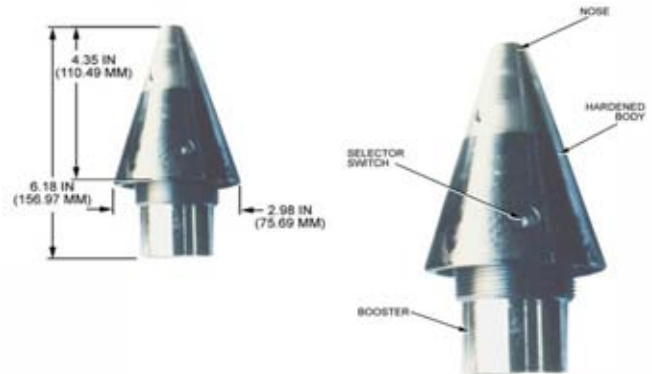
**U.S. BOMB FUZES, NOSE & TAIL, IMPACT, FMU-143/B,
FMU-143A/B, FMU-143B/B, FMU-143D/B, FMU-143E/B,
FMU-143F/B, FMU-143G/B & FMU-143H/B**

Ordnance used with:
BLU-113/B, PENETRATOR
BLU-113A/B, PENETRATOR
GBU-10C/B, BOMB UNIT, GUIDED
GBU-10G/B, BOMB UNIT, GUIDED
GBU-15(V)2/B
GBU-15(V)31/B, BOMB UNIT, GUIDED
GBU-15(V)32/B, BOMB UNIT, GUIDED
N.E.W. 133.00 G

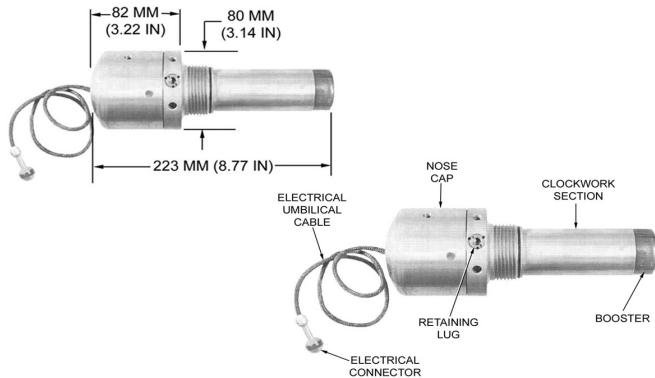


U.S. PROJECTILE FUZE, PD, MK407 MOD 1 (HIP)

Ordnance used with:
M1, 105-MM, HE
M1 (MOD), CARTRIDGE, 105MM, HE
M1 (MOD), PROJECTILE, 105MM, HE



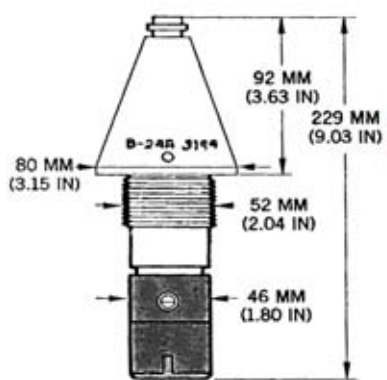
N.E.W. 12.27 G



U.S.S.R. BOMB FUZE, NOSE AND TAIL, LONG DELAY, ANTIDISTURBANCE, AVPZ

Ordnance used with:
 FAB-1500 M54, BOMB, GENERAL PURPOSE
 FAB-3000 M54, GENERAL PURPOSE
 MDL. UNKNOWN, BATTERY, 47 VOLTS, FOR AVPZ BOM...

N.E.W. 50.00 G



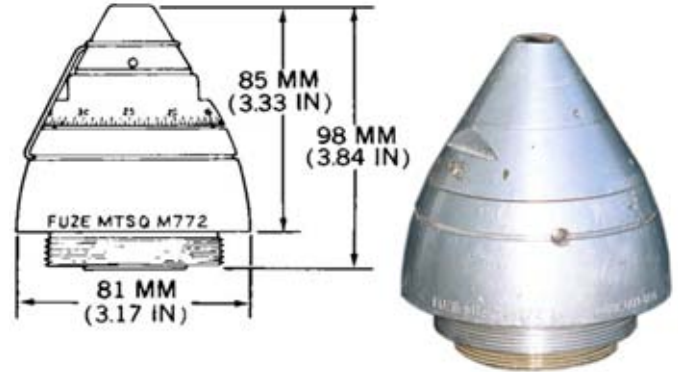
U.S.S.R. ROCKET FUZE, NOSE, PD, V-24A

Ordnance used with:
 F-961, 240 MM, SPIN STABILIZED, HE, S-TO-S
 F-961U, 240 MM, SPIN STABILIZED, HE, S-TO-S
 S-24, 240-MM, FIXED FIN, HE, A-TO-S

U.S. PROJECTILE FUZE, MTSQ, M772

Ordnance used with:
M721, CARTRIDGE, 60-MM, ILLUMINATING
M-819, 81-MM, CARTRIDGE, SMOKE, RP, MORTAR
M819, 81-MM, CARTRIDGE, SMOKE, RP, MORTAR
M853A1 CARTRIDGE, 81-MM, ILLUM
M853A1, 81MM, ILLUM
M721, PROJECTILE, 60-MM, MORTAR, ILLUMINATING
M-819, 81-MM, SMOKE, RP, MORTAR

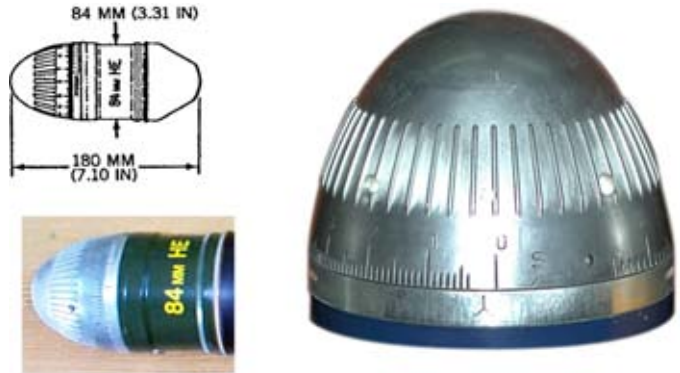
N.E.W. 6.00 G

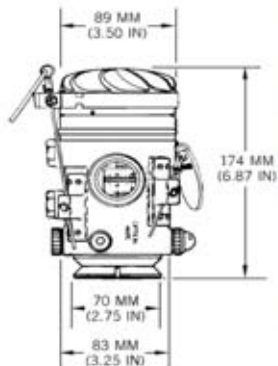


SWEDISH PROJECTILE FUZE, MT, FFV 447

Ordnance used with:
FFV 441B, 84-MM, CARTRIDGE, HE-FRAG
FFV 441B, 84-MM, HE-FRAG

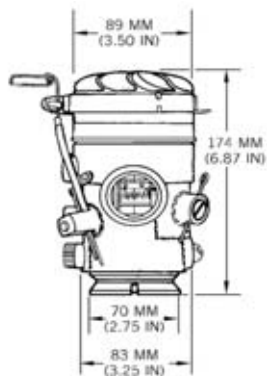
N.E.W. 5.05 G





U.S. BOMB FUZE, NOSE, MT, MK 339 MOD 0

Ordnance used with:
MJU-1/B, 750 LB, CNTRMSRS (CHAFF)
MK 7 MOD 2, DISP.
MK 7 MOD 3, DISP.
MK 7 MOD 4, DISP.
MK 7 MOD 6, DISP.
SUU-30A/B, DISP.
SUU-30B/B, DISP.
N.E.W. 6.00 G



U.S. BOMB FUZE, NOSE, MT, MK 339 MOD 1

Ordnance used with:
MJU-1/B, 750 LB, CNTRMSRS (CHAFF)
MK 7 MOD 2, DISP.
MK 7 MOD 3, DISP.
MK 7 MOD 4, DISP.
MK 7 MOD 6, DISP.
SUU-30/B, DISP.
SUU-30A/B, DISP.
N.E.W. 0.27 G

U.S. BOMB FUZE, NOSE, M904E4

Ordnance used with:

M117A3

BLU-110A/B, BOMB, GPLD, 1,000 LB

BLU-111A/B, BOMB, GPLD, 500 LB

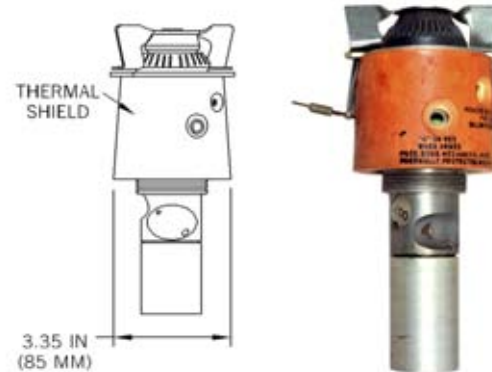
BLU-82/B, BOMB UNIT, BLAST, CRADLED

M117, 750 LB, GP

M117A1, 750 LB, GP

M117A1E1, 750 LB, GP

N.E.W. 75.00 G



U.S. BOMB FUZES, NOSE, M904E1, M904E2, AND M904E3

Ordnance used with:

M117A3

BLU-110A/B, BOMB, GPLD, 1,000 LB

BLU-111A/B, BOMB, GPLD, 500 LB

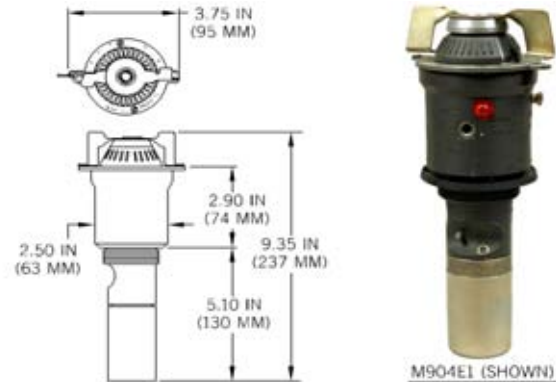
BLU-82/B, BOMB UNIT, BLAST, CRADLED

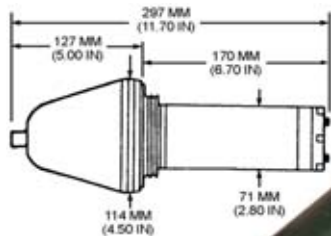
M117, 750 LB, GP

M117A1, 750 LB, GP

M117A1E1, 750 LB, GP

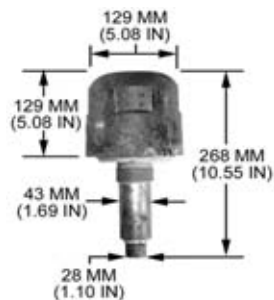
N.E.W. 75.00 G





U.S. BOMB TARGET DETECTING DEVICE, MK 43 MOD 0

Ordnance used with:
 FMU-54A/B, BOMB FUZE, TAIL
 M117, 750 LB, GP
 M117A1, 750 LB, GP
 M117A1E2, 750 LB, GP
 M117A1E3, 750 LB, GP
 M117A2, 750 LB, GP
 M990, BOMB FUZE, TAIL, ELEC.



TOP VIEW
WITH NOSE CAP
REMOVED



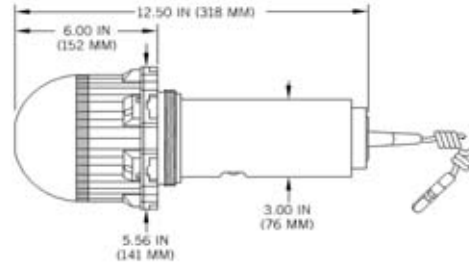
NOSE CAP
ASSEMBLY

ELECTRIC
CONTACT
SPHERE

U.S.S.R. BOMB FUZE, NOSE, PROXIMITY, 9-A-798

U.S. BOMB SENSING ELEMENT, PROXIMITY, DSU-33A/B

Ordnance used with:
BLU-110A/B, BOMB, GPLD, 1,000 LB
BLU-111A/B, BOMB, GPLD, 500 LB
FMU-139/B, NOSE & TAIL, IMPACT
FMU-139A/B, NOSE & TAIL, IMPACT
M117, 750 LB, GP
M117A1, 750 LB, GP
M117A1E1, 750 LB, GP



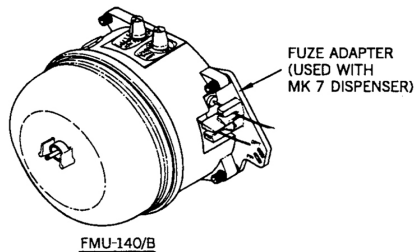
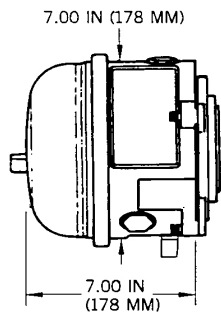
AFGHAN KIT, FIRING DEVICE, RADIO CONTROLLED, MODEL UNKNOWN

Ordnance used with:
MDL. UNKNOWN, TRANSMITTER, RADIO CONTROLLED (RC)
MDL. UNKNOWN, RECEIVER, RADIO CONTROLLED (RC)





U.S.S.R. ANTILIFT DEVICE, MS-3



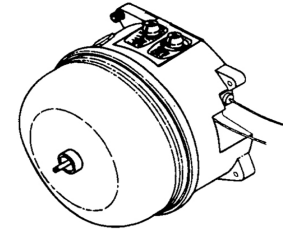
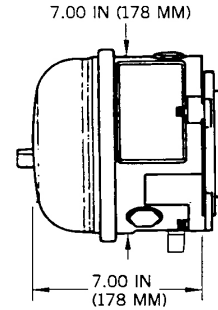
U.S. BOMB FUZE, NOSE, PROXIMITY, FMU-140/B

Ordnance used with:
MK 7 MOD 2, DISP.
MK 7 MOD 3, DISP.
MK 7 MOD 4, DISP.
MK 7 MOD 6, DISP.
SUU-58/B, DISP.
APAM CLUSTER WEAPON
CBU-59/B
N.E.W. 608.33 MG

U.S. BOMB FUZE, NOSE, PROXIMITY, FMU-140A/B

Ordnance used with:
MK 7 MOD 2, DISP.
MK 7 MOD 3, DISP.
MK 7 MOD 4, DISP.
MK 7 MOD 6, DISP.
SUU-58/B, DISP.
APAM CLUSTER WEAPON
CBU-59/B

N.E.W. 608.33 MG



FMU-140A/B

THIS PAGE INTENTIONALLY LEFT BLANK