

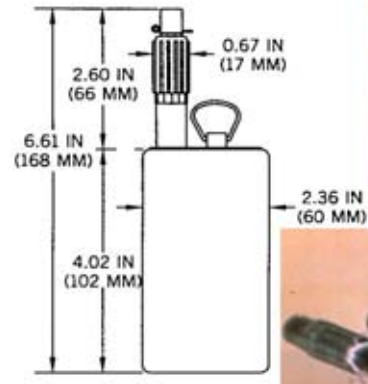
CANADIAN LANDMINE SYSTEM, 84MM, OFF ROUTE, C14

Ordnance used with:
FFV 65 CARTRIDGE, 84-MM, HEAT-T



CHINESE LANDMINE, APERS (BOUNDING), TYPE 69

Ordnance used with:
MDL. UNKNOWN, LANDMINE, PULL/PRESSURE



N.E.W. 110.00 G



CHINESE LANDMINE, APERS, CLAYMORE, TYPE 66



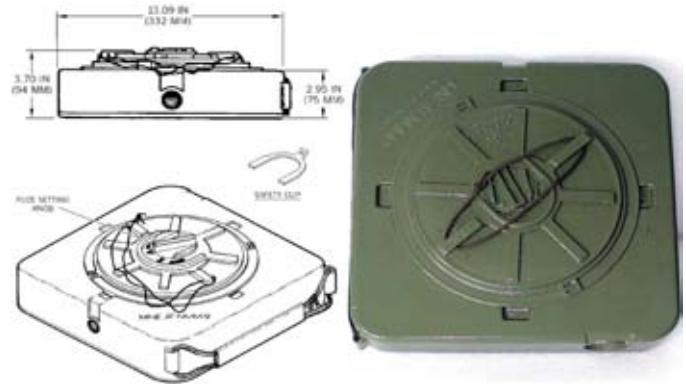
PAKISTAN, P5 MK 1, APERS, CLAYMORE

PAKISTANI LANDMINE, APERS, P4 MK2

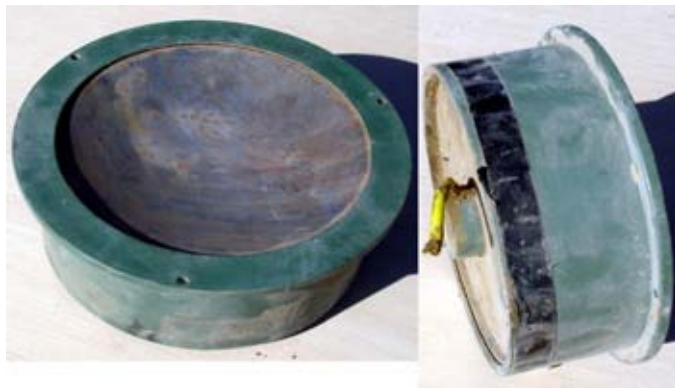


U.S. LANDMINES: AT, HE, NONMETALLIC, M19; INERT, M19; AND TRAINING, M80

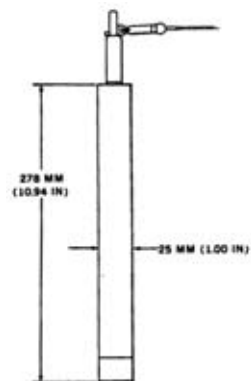
Ordnance used with:
M/88, MAGNETIC INFLUENCE, LANDMINE
M606, LANDMINE PRESSURE, AT
UNDESIGNATED, BOOSTER (52 G RDX)
UNDESIGNATED, BOOSTER (52 G COMP A-5)



N.E.W. 21.25 LB



UNKNOWN COUNTRY, LANDMINE, AT, MODEL UNKNOWN

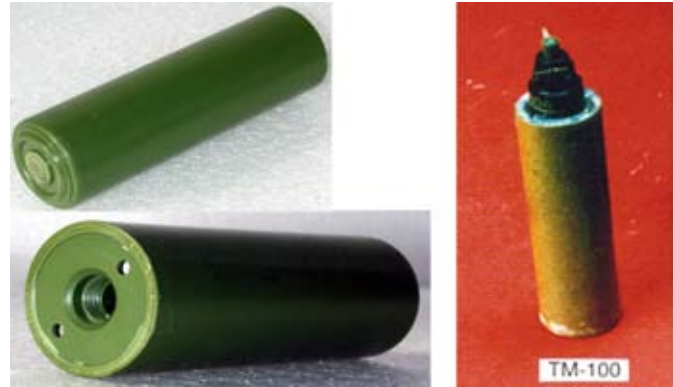


U.S.S.R. LANDMINE, SIGNAL, SM

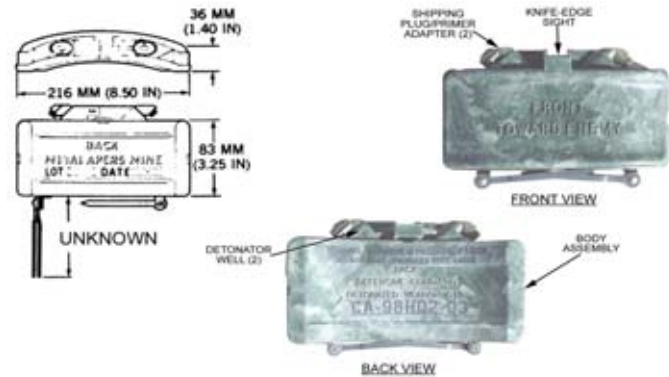
Ordnance used with:
MUV, PULL
MUV-2, FIRING DEVICE, PULL/PRESSURE
MUV-3, FIRING DEVICE, PULL/PRESURE

YUGOSLAV LANDMINE, APERS, TM100

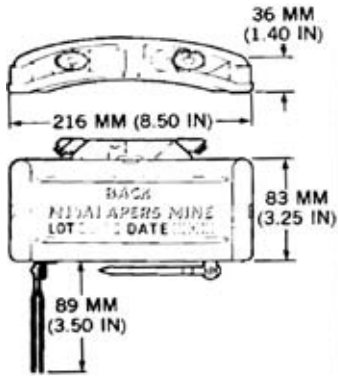
Ordnance used with:
UANU-1, LANDMINE, AT, PRESS.
MDL. UNKNOWN, LANDMINE, PRESS.



CANADIAN LANDMINE, APERS, CLAYMORE, C19

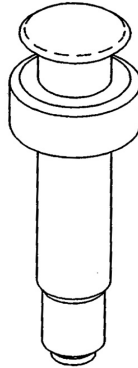
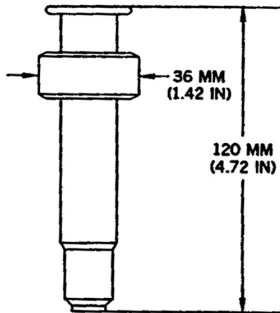


N.E.W. 680.00 G



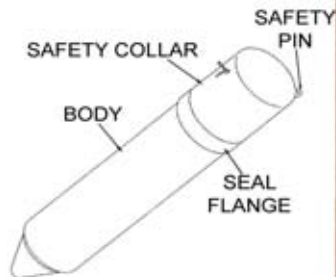
U.S. LANDMINE, APERS, HE, M18A1; & PRACTICE, M68

N.E.W. 680.00 G



U.S.S.R. LANDMINE, APERS, PMP

ZIMBABWE LANDMINES, APERS, ZAP-1 AND ZAP-2

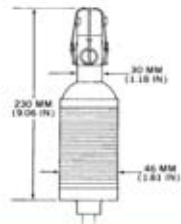


N.E.W. 140.00 G

EGYPTIAN LANDMINE, APERS, (HAMDY)

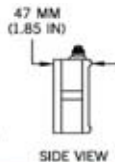
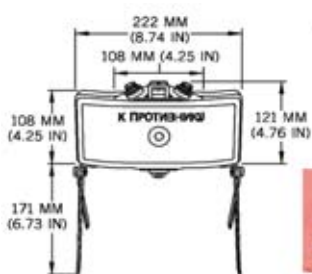


N.E.W. 501.60 G



BELGIAN LANDMINE, APERS, MODEL NR 413

N.E.W. 95.00 G



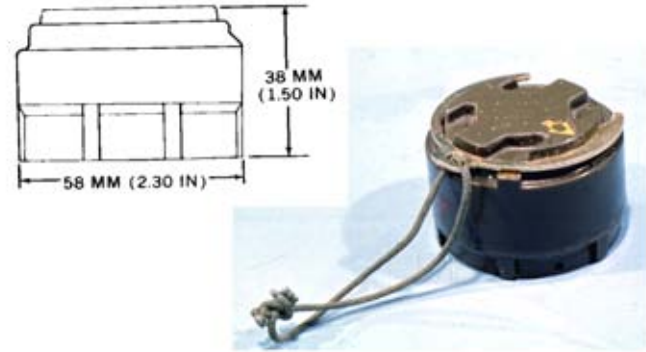
U.S.S.R. LANDMINE, APERS, FRAG, MON-50

Ordnance used with:

- MUV-4, PULL
- NVU-P, LANDMINE CTRL. DEVICE
- VP-12, LANDMINE CTRL. DEVICE
- NVU-PM, LANDMINE CTRL. DEVICE
- VP-13, LANDMINE CTRL. DEVICE

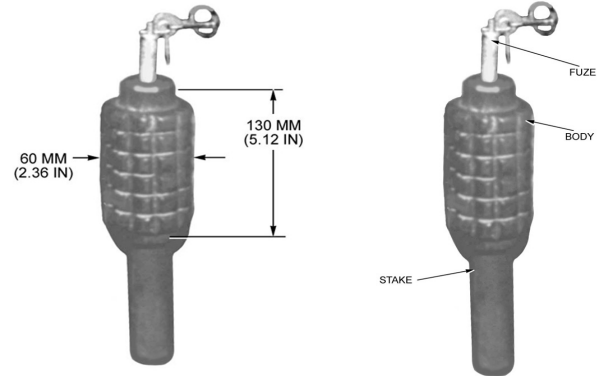
**U.S. LANDMINES, APERS, HE, M14 & M14E1; &
LANDMINE, APERS, PRACTICE, M17**

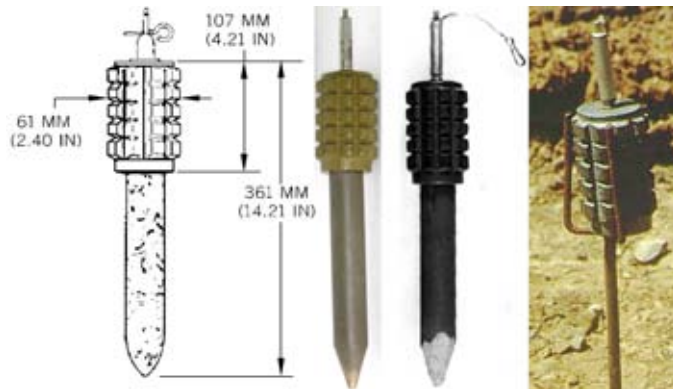
Ordnance used with:
T1204, AP



N.E.W. 29.00 G

CHINESE LANDMINE, APERS, STAKE, TYPE 58



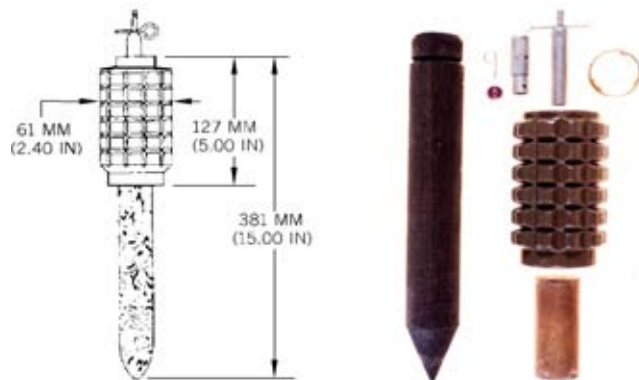


U.S.S.R. LANDMINE, APERS, POMZ-2M

Ordnance used with:

- MUV-4, PULL
- MDL. UNKNOWN, PULL
- MUV, PULL
- MUV-2, FIRING DEVICE, PULL/PRESSURE
- MUV-3, FIRING DEVICE, PULL/PRESSURE
- MV-5, FUZE, LANDMINE, AT, PRESS.
- NM, INITIATOR, ELEC.

N.E.W. 75.00 G



U.S.S.R. LANDMINES, APERS, POMZ-2 AND PRACTICE, UIPOMZ-2

Ordnance used with:

- MUV-4, PULL
- MDL. UNKNOWN, PULL
- MUV, PULL
- MUV-2, FIRING DEVICE, PULL/PRESSURE
- MUV-3, FIRING DEVICE, PULL/PRESSURE
- MV-5, FUZE, LANDMINE, AT, PRESS.
- NM, INITIATOR, ELEC.

N.E.W. 75.00 G

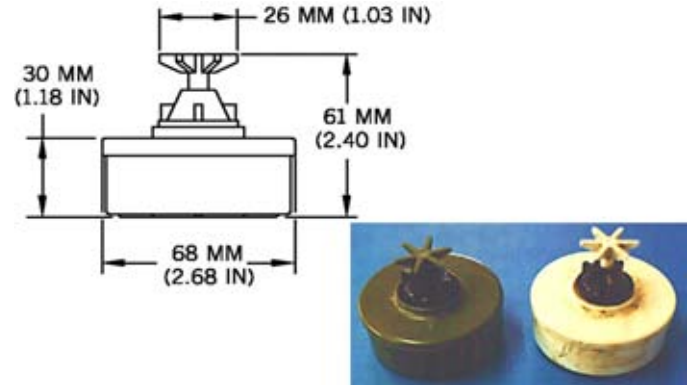
IRANIAN LANDMINE, APERS, NO. 4 (PEDAL)

Ordnance used with:
MDL. UNKNOWN, LANDMINE, PRESS. (FOR NO. 4 PEDAL)

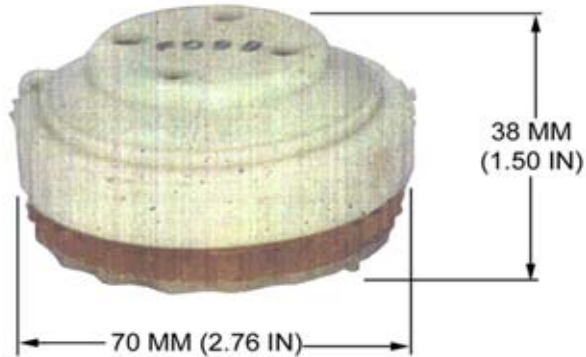


YUGOSLAV LANDMINES, APERS, PMA-2; AND PRACTICE, VPMA-2

Ordnance used with:
UPMAH-2, LANDMINE, APERS, PRESS.



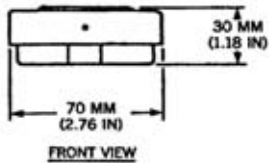
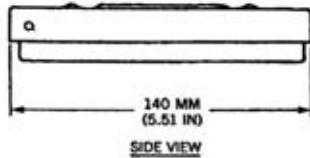
N.E.W. 100.00 G



PAKISTANI LANDMINE, APERS, P2 MK2

Ordnance used with:
 P2 MK2, AT, NONMETALLIC
 P3 MK 2, AT

N.E.W. 58.00 G



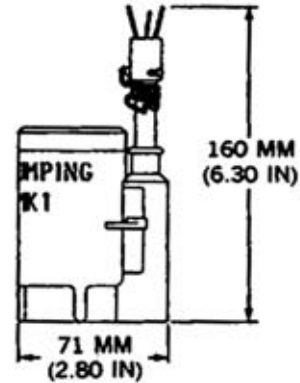
YUGOSLAV LANDMINES, APERS, PMA-1, PMA-1A, & PRACTICE, VPMA-1A

Ordnance used with:
 UPM-1, FIRING DEVICE, PULL/PRESSURE/TENSION R...
 UPM-1A, LANDMINE, APERS, PRESS.

N.E.W. 200.00 G

PAKISTANI LANDMINE, AP, JUMPING, MODEL P7 MK1

Ordnance used with:
P-1 MK 1, HAND, FRAG
P1 MK 1, HAND, FRAG

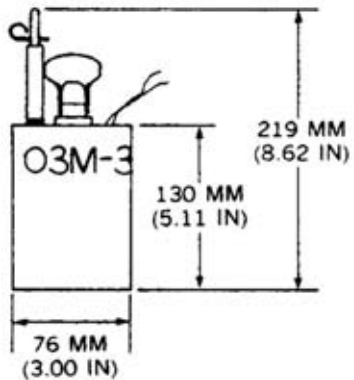


YUGOSLAV LANDMINES, APERS, BOUNDING, (FRAG), PROM-1 AND PRACTICE VPROM-1

Ordnance used with:
UPROM-1, LANDMINE, APERS, PRESSURE/PULL
M61-1, LANDMINE, APERS, PULL

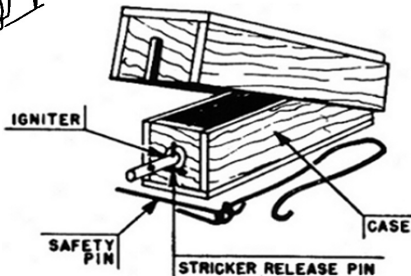
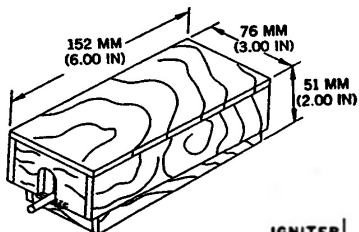


N.E.W. 448.00 G



U.S.S.R. LANDMINE, APERS, OZM-3

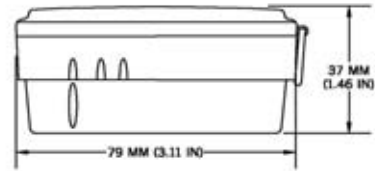
N.E.W. 75.00 G



U.S.S.R. LANDMINES, APERS, PMD-7 & PMD-7TS

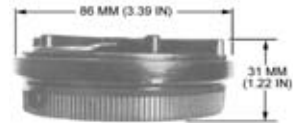
N.E.W. 200.00 G

CHINESE LANDMINES, APERS, TYPES 72, 72B, AND 72C



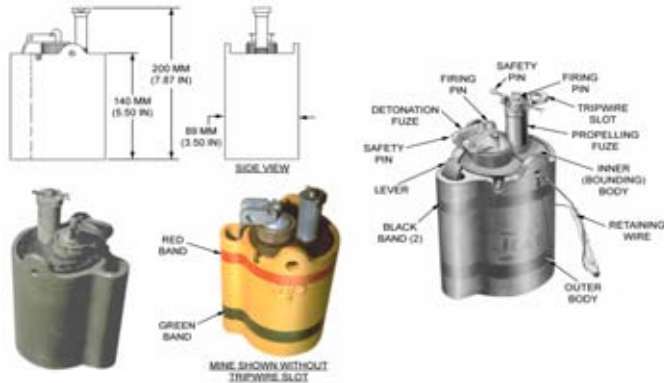
N.E.W. 51.00 G

BELGIAN LANDMINE, APERS, PRB-M409



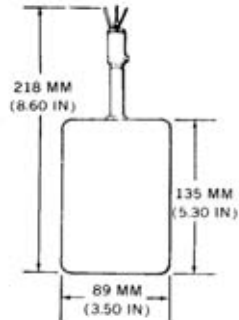
N.E.W. 0.18 LB

U.K. LANDMINE, APERS, BOUNDING, MK II (MK 2)



N.E.W. 500.00 G

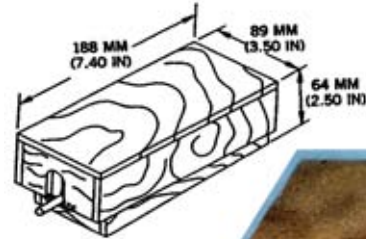
U.S. LANDMINES, APERS, HE, M3, M3A1, & M3B1; LANDMINE, INERT, M3



Ordnance used with:
M3, LANDMINE, APERS, PULL/PRESSURE
M7, LANDMINE, PULL/PRESSURE

N.E.W. 1.00 LB

U.S.S.R. LANDMINES, APERS, PMD-6 AND PMD-6M



N.E.W. 200.00 G

U.S.S.R. LANDMINE, APERS, BOUNDING, OZM-4

Ordnance used with:

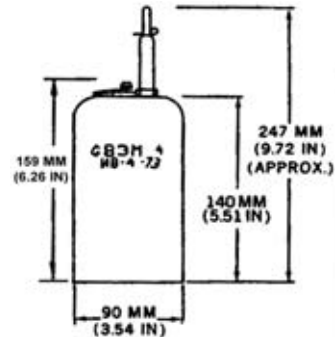
MUV-4, PULL

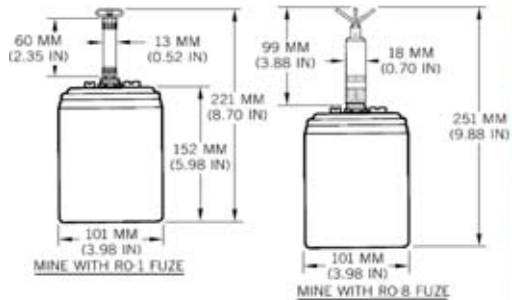
MUV, PULL

MUV-2, FIRING DEVICE, PULL/PRESSURE

MUV-3, FIRING DEVICE, PULL/PRESURE

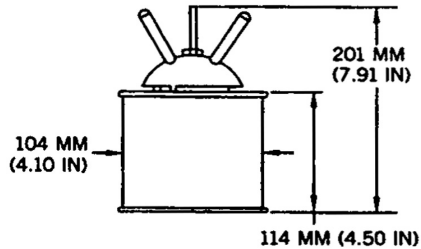
VPF, FIRING DEVICE, PULL





CZECHOSLOVOKIAN LANDMINES, APERS, PP-MI-SR AND PP-MI-SR II

Ordnance used with:
 RO-1, LANDMINE, PULL/PRESSURE
 RO-8, LANDMINE, PRESS.
 UPM-1, FIRING DEVICE, PULL/PRESS./TENSION RELEASE



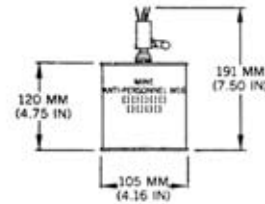
ITALIAN LANDMINES, APERS, VALMARA AND VALMARA 59

Ordnance used with:
 UNDESIGNATED, LANDMINE, APERS, PRESSURE/PULL

N.E.W. 564.00 G

U.S. LANDMINES, APERS, HE, M16 AND M16A1; AND LANDMINES, INERT, M16 AND M16A1

Ordnance used with:
M605, FUZE, LANDMINE, AP, COMBINATION

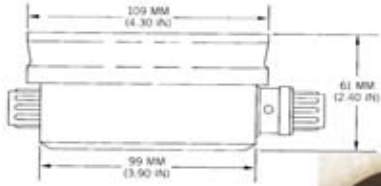


N.E.W. 553.00 G

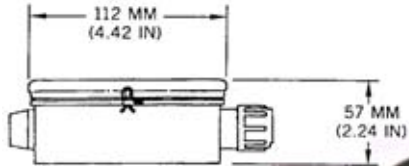
U.S.S.R. LANDMINE, APERS, MODEL OZM-72

Ordnance used with:
NVU-P, LANDMINE CTRL. DEVICE
VP-12, LANDMINE CTRL. DEVICE
NVU-PM, LANDMINE CTRL. DEVICE
VP-13, LANDMINE CTRL. DEVICE
MUV, PULL
MUV-2, FIRING DEVICE, PULL/PRESSURE





HUNGARIAN LANDMINE, APERS, GYATA-64

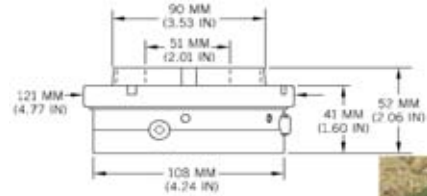


U.S.S.R. LANDMINE, APERS, PMN

Ordnance used with:
SVP, PYROTECHNIC ARMING DEVICE

N.E.W. 227.00 G

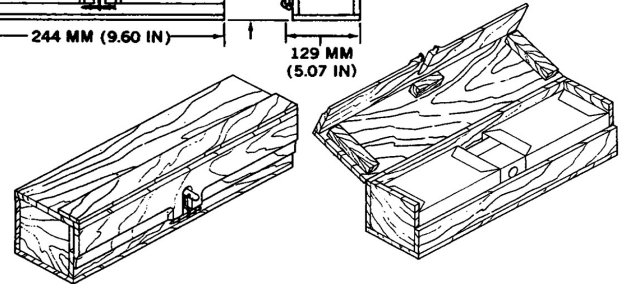
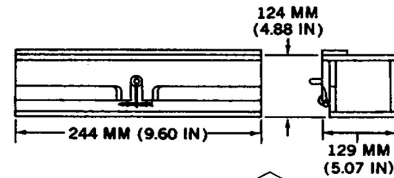
U.S.S.R. LANDMINE, APERS, PMN-2



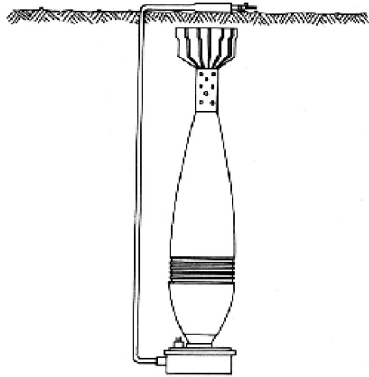
N.E.W. 115.00 G

U.S.S.R. LANDMINE, AT, YAM-5

Ordnance used with:
MUV, PULL



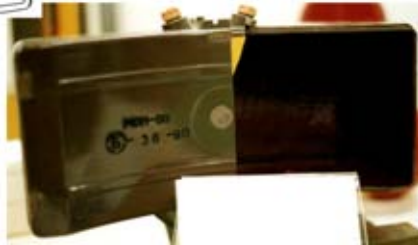
N.E.W. 5.20 KG



U.S.S.R. LANDMINE, APERS, OZM



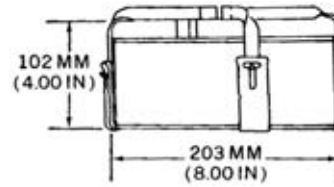
U.S.S.R. LANDMINE, APERS, FRAG, MON-90



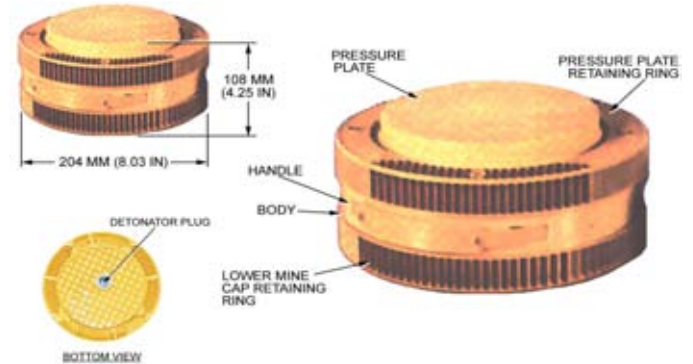
Ordnance used with:
MUV-4, PULL
NVU-PM, LANDMINE CTRL. DEVICE
VP-13, LANDMINE CTRL. DEVICE
MUV, PULL
MUV-2, FIRING DEVICE, PULL/PRESSURE

U.K. LANDMINES, AT, GS MK V, & GS MK V, HC

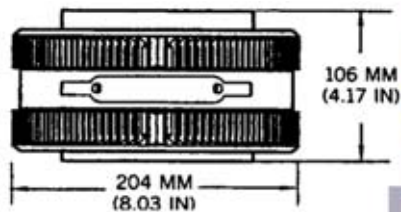
Ordnance used with:
NO. 3 MK 1, LANDMINE, AT, PRESS.



EGYPTIAN LANDMINE, AT, M/80

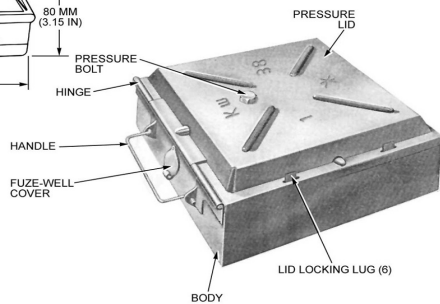
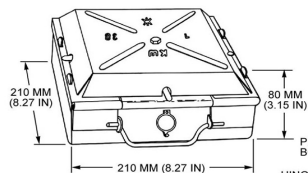


N.E.W. 2.40 KG



ITALIAN LANDMINE, AT, TC/2.4

Ordnance used with:
MDL. UNKNOWN, ANTILIFT



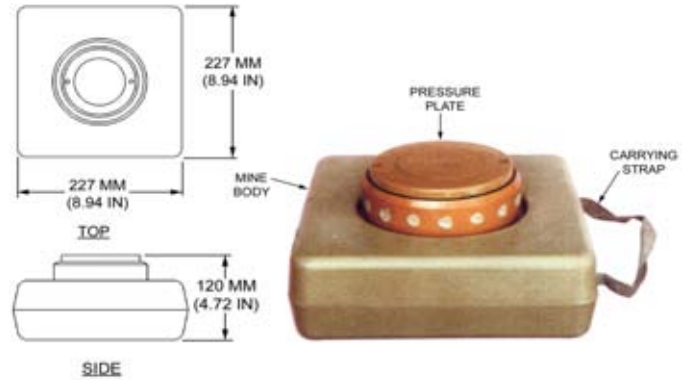
U.S.S.R. LANDMINE, AT, TM-38

Ordnance used with:
MUV, PULL
UV, FIRING DEVICE, PULL

N.E.W. 2.80 KG

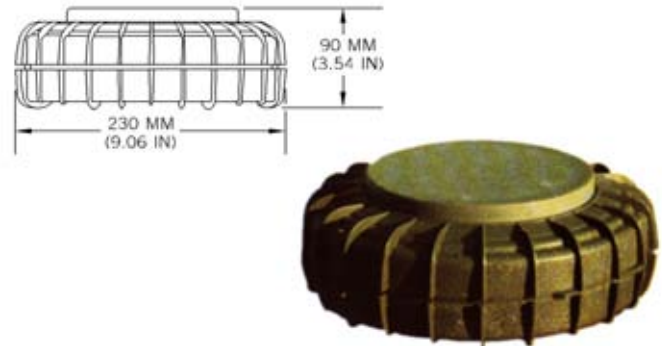
BELGIAN LANDMINE, AT, PRB M3A1

Ordnance used with:
PRB-M30, ANTLIFT DEVICE
M60, LANDMINE, PRESS.
PRB MIG M60, LANDMINE, PRESS.
PRB 2144, FIRING DEVICE, PULL

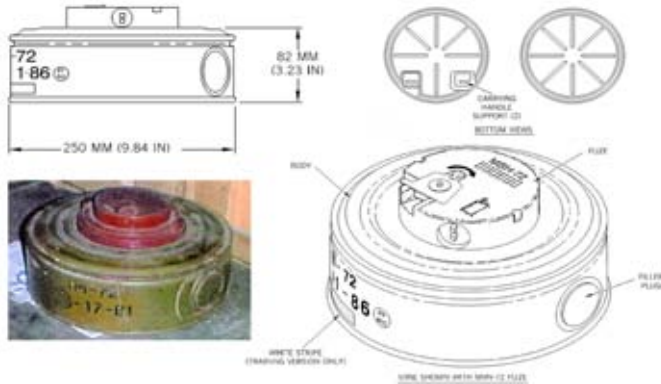


N.E.W. 6.00 KG

ITALIAN LANDMINE, AT, SB-81; SPANISH C-5; PORTUGUESE M/453; AND IRANIAN YM-II

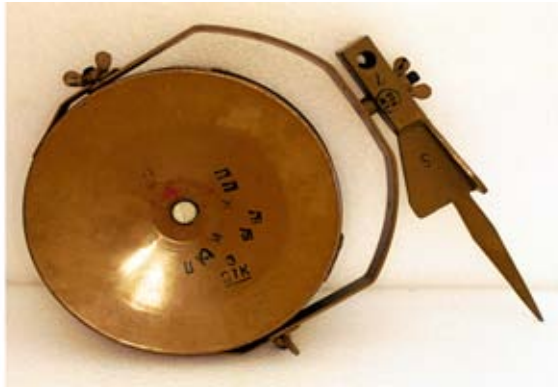


N.E.W. 2.20 KG



U.S.S.R. LANDMINE, AT TM-72

N.E.W. 2.50 KG



U.S.S.R. LANDMINE, APERS, MON-100

Ordnance used with:

MUV-4, PULL

NVU-P, LANDMINE CTRL. DEVICE

VP-12, LANDMINE CTRL. DEVICE

NVU-PM, LANDMINE CTRL. DEVICE

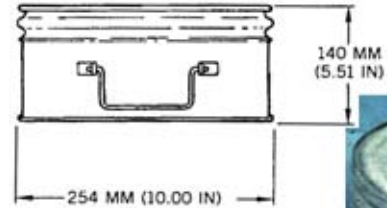
VP-13, LANDMINE CTRL. DEVICE

MUV, PULL

N.E.W. 2.16 KG

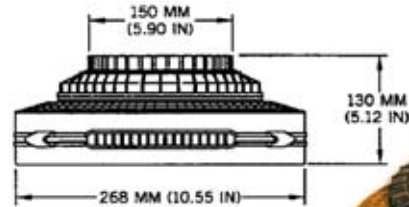
U.S.S.R. LANDMINES, AT, TM-41 & TM-44

Ordnance used with:
MV-5, FUZE, LANDMINE, AT, PRESS.
MV-5K, FUZE, LANDMINE, AT, PRESS.

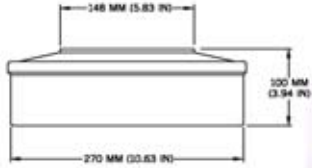


ITALIAN LANDMINE, AT, SH-55

Ordnance used with:
VS-N-TLC, ELEC, FIELD PROGRAMMABLE, R/C PRESS...
VS-N-EL2, ELEC, FIELD PROGRAMMABLE, PRESS./AN...
VS-N/AR-AN, ELECTRONIC, ANIT-REMOVAL/DISTRUBANCE
VS-N, PRESSURE-ACTUATED
FD-64, LANDMINE, AT, PRESS.
SH-160, LANDMINE, AT, PRESS.



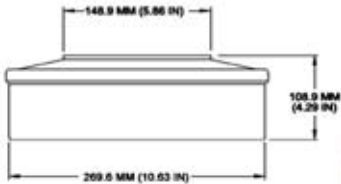
N.E.W. 5528.00 G



CHINESE LANDMINE, AT, TYPE 72

Ordnance used with:
TYPE 69, LANDMINE, AT, DOUBLE IMPULSE
TYPE 72A, LANDMINE, AT, (SINGLE IMPULSE)
TYPE 81, LANDMINE, AT (SINGLE IMPULSE)
TYPE 72, LANDMINE, AT, PRESS. (BLAST RESISTANT)
TYPE 74, 284MM, CARGO

N.E.W. 6.60 KG



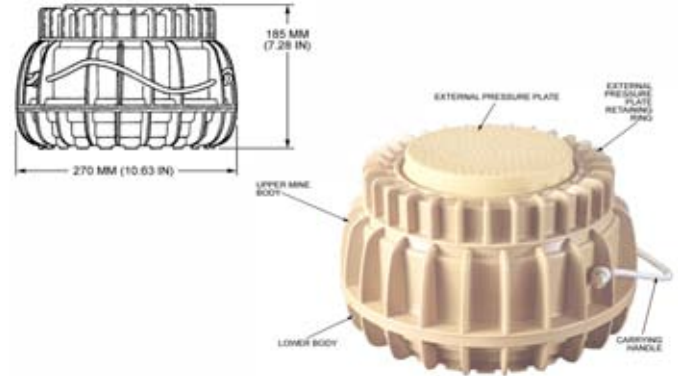
IRANIAN LANDMINE, AT, YM-III

Ordnance used with:
UNKNOWN, LANDMINE, AT, PRESS.

N.E.W. 5.69 KG

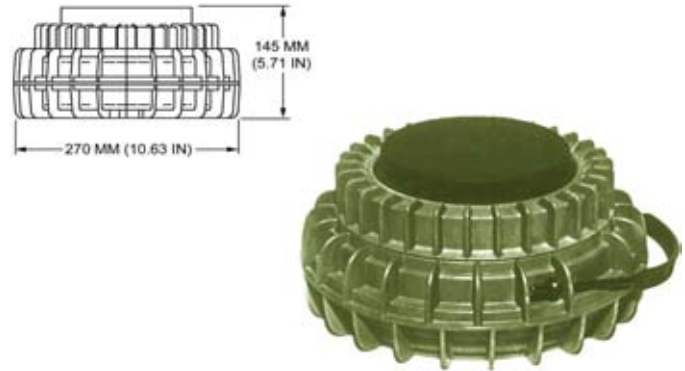
ITALIAN LANDMINE, AT, ELECTRONIC, TCE/6

Ordnance used with:
MDL. UNKNOWN, AT, ELECT. FUZE, (TCE/6)

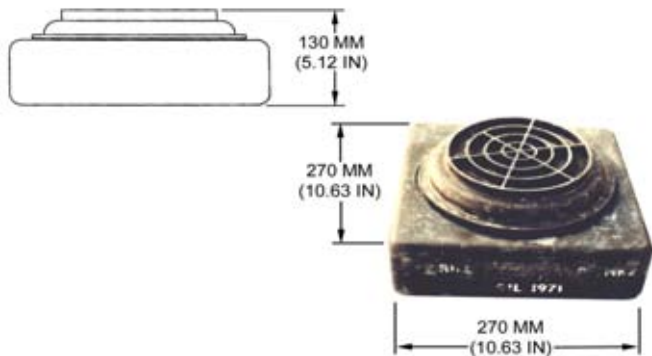


ITALIAN LANDMINE, AT, TC/3.6

Ordnance used with:
UNKNOWN, PRESSURE, LANDMINE (TC/3.6)

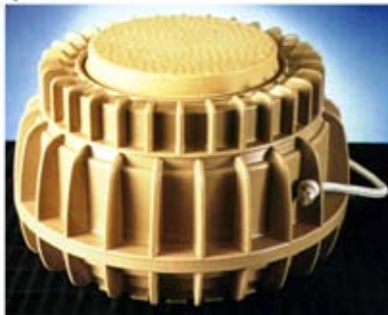
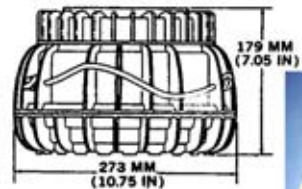


N.E.W. 3.60 KG



PAKISTANI LANDMINE, AT, P2 MK 2

Ordnance used with:
P2 MK 2, APERS

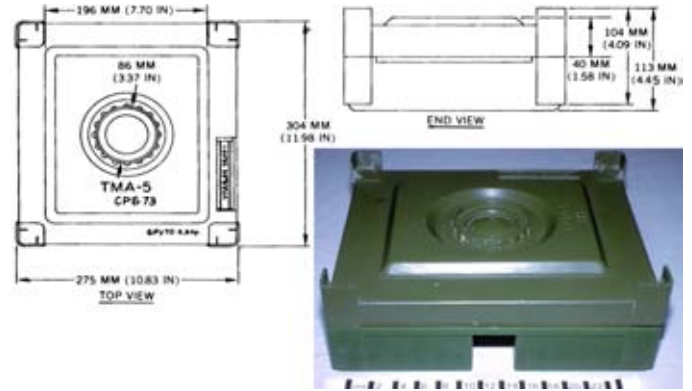


ITALIAN LANDMINE, AT, MODEL TC-6

Ordnance used with:
MDL. UNKNOWN, ANTILIFT
UNKNOWN, FIRING DEVICE, IMPROVISED, PHOTOELECTRIC
MDL. UNKNOWN, FIRING DEVICE, ANTILIFT

YUGOSLAV LANDMINES, AT, NONMETALLIC, MODEL TMA-5 & PRACTICE, VTMA-5

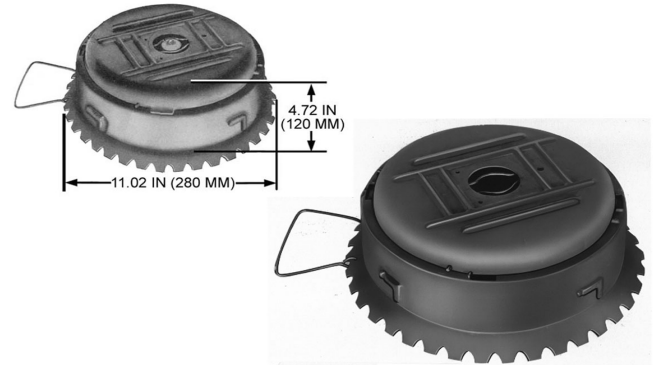
Ordnance used with:
UANU-1, LANDMINE, AT, PRESS.



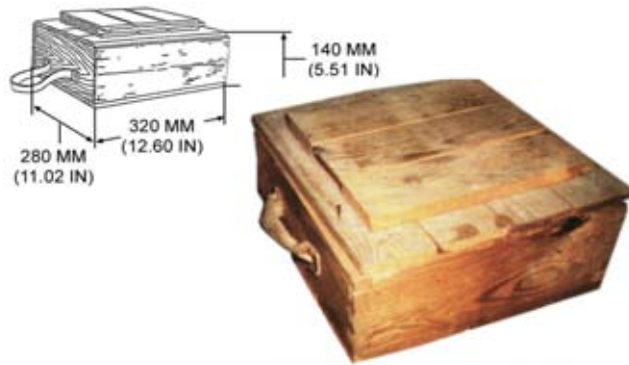
N.E.W. 5561.00 G

U.S.S.R. LANDMINE, AT/APERS, PMZ-40

Ordnance used with:
MUV, PULL
MV-5, FUZE, LANDMINE, AT, PRESS.
MV-3, FUZE, LANDMINE, AT, PRESS.
UV, FIRING DEVICE, PULL



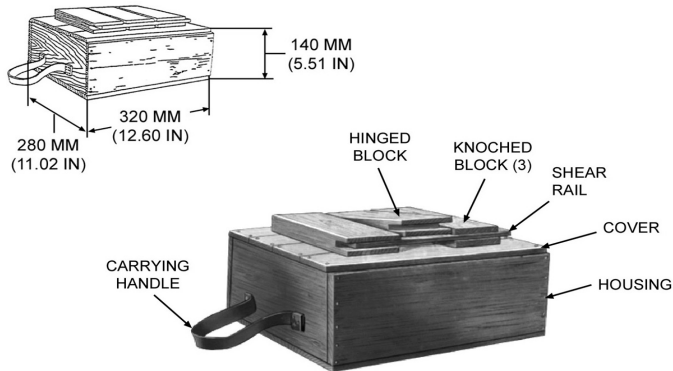
N.E.W. 8.00 LB



YUGOSLAV LANDMINE, AT, TMD-1

Ordnance used with:
 UANU-1, LANDMINE, AT, PRESS.
 UPM-1, FIRING DEVICE, PULL/PRESSURE/TENSION R...
 MV-5, MINE, PRESS.

N.E.W. 5.50 KG



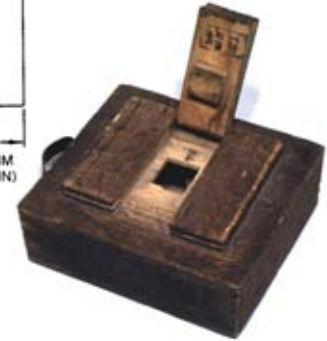
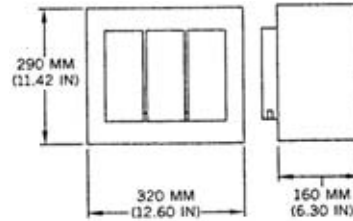
YUGOSLAV LANDMINE, AT, TMD-2

Ordnance used with:
 MV-5, FUZE, LANDMINE, AT, PRESS.
 UANU-1, LANDMINE, AT, PRESS.

N.E.W. 5.50 KG

U.S.S.R. LANDMINE, AT, TMD-B

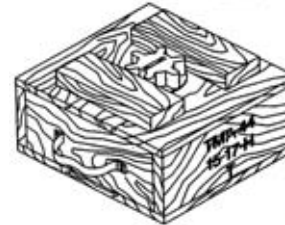
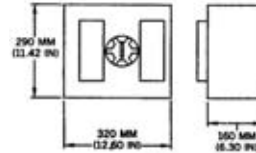
Ordnance used with:
MV-5, FUZE, LANDMINE, AT, PRESS.
MV-5K, FUZE, LANDMINE, AT, PRESS.



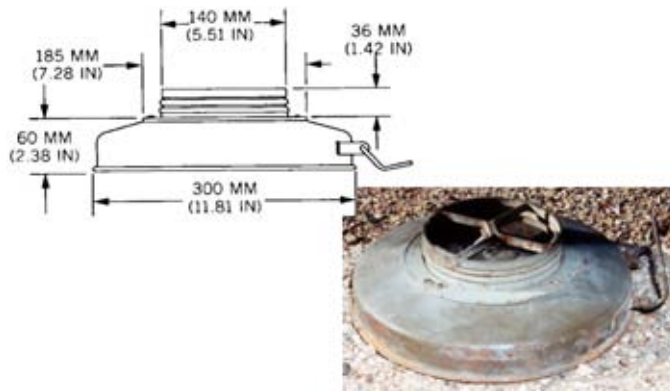
N.E.W. 6.90 KG

U.S.S.R. LANDMINES, AT, TMD-44, AND PRACTICE, UITMD-44; AND INERT UTMD-44

Ordnance used with:
MV-5, FUZE, LANDMINE, AT, PRESS.
MV-5K, FUZE, LANDMINE, AT, PRESS.

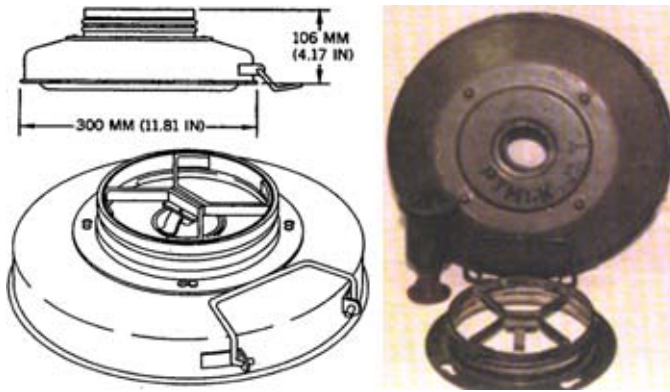


N.E.W. 6.90 KG



CZECHOSLOVOKIAN LANDMINE, AT, PT-MI-K

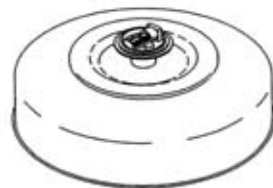
Ordnance used with:
RO-3, FIRING DEVICE, PRESSURE-RELEASE
RO-5, LANDMINE, AT, PRESS.
RO-9, LANDMINE, AT, PRESS.



CZECHOSLOVOKIAN LANDMINE, AT, PT-MI-K II

Ordnance used with:
RO-3, FIRING DEVICE, PRESSURE-RELEASE
RO-5, LANDMINE, AT, PRESS.

HUNGARIAN LANDMINE, AT, UKA-63

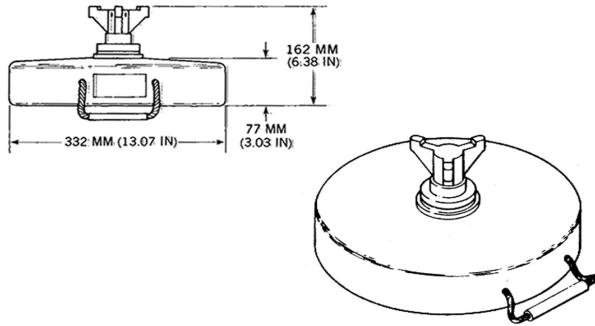


U.S.S.R. LANDMINE AT, TMK-2

Ordnance used with:
MVK-2, LANDMINE, AT, TILTROD



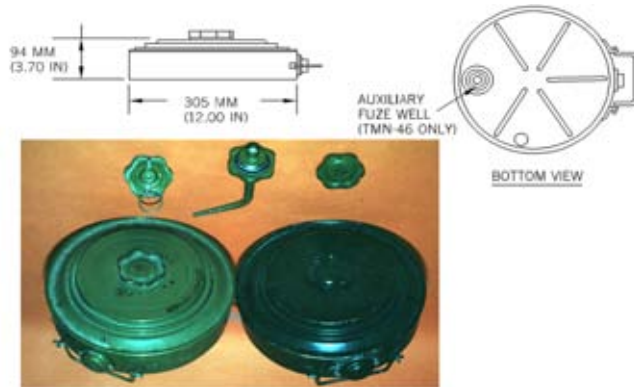
SWEDISH LANDMINES, AT, MI 102 (OBSOLETE)



Ordnance used with:
MDL. UNKNOWN, LANDMINE, AT, PRESS.

N.E.W. 7.50 KG

U.S.S.R. LANDMINES, AT, TM-46 AND TMN-46; AND TRAINING, UITM-46



Ordnance used with:
MUV, PULL
MUV-2, FIRING DEVICE, PULL/PRESSURE
MUV-3, FIRING DEVICE, PULL/PRESURE
MV-5, FUZE, LANDMINE, AT, PRESS.
MVM, FUZE, LANDMINE, AT, PRESS.
MVSH-46, FUZE, LANDMINE, TILTROD

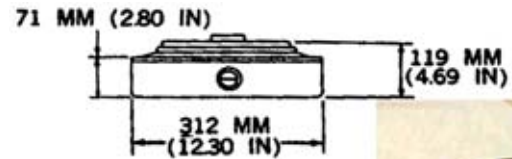
PAKISTANI LANDMINE, AT, NONMETALLIC, MODEL P3 MK 1 (ROUND)

Ordnance used with:
P2 MK 2, APERS



U.S.S.R. LANDMINE, AT, TM-57

Ordnance used with:
MVSH 57, LANDMINE, AT, TILTROD
MVZ-57, LANDMINE, AT, PRESS.





U.S.S.R. LANDMINE, AT, TM-62B

Ordnance used with:

- MVCH-62, FUZE, LANDMINE, AT, PRESS.
- MVN-62, FUZE, LANDMINE, AT, MAGNETIC INFLUENCE
- MVP-62, FUZE, LANDMINE, AT, PRESS.
- VM-62, FUZE, LANDMINE, AT, PRESS.
- MWP-62, FUZE, LANDMINE, AT, PRESS.
- MVCH-62Z, FUZE, LANDMINE, AT, PRESS.
- VM-62Z, FUZE, LANDMINE, AT, PRESS.



BULGARIAN LANDMINE, AT, TM-62M

Ordnance used with:

- MVCH-62, FUZE, LANDMINE, AT, PRESS.
- MVN-62, FUZE, LANDMINE, AT, MAGNETIC INFLUENCE
- MVP-62, FUZE, LANDMINE, AT, PRESS.
- NV-PTM, FUZE, LANDMINE, AT, MAGNETIC INFLUENCE
- NV-PTM-RC, AT, MAGNETIC INFLUENCE, REMOTE CTRL.
- VM-62, FUZE, LANDMINE, AT, PRESS.
- MWP-62, FUZE, LANDMINE, AT, PRESS.

N.E.W. 5700.00 G

U.S.S.R. LANDMINE, AT, TM-62P2

Ordnance used with:

MVCH-62, FUZE, LANDMINE, AT, PRESS.

MVN-62, FUZE, LANDMINE, AT, MAGNETIC INFLUENCE

MVP-62, FUZE, LANDMINE, AT, PRESS.

VM-62, FUZE, LANDMINE, AT, PRESS.

MWP-62, FUZE, LANDMINE, AT, PRESS.

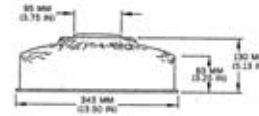
MVCH-62Z, FUZE, LANDMINE, AT, PRESS.

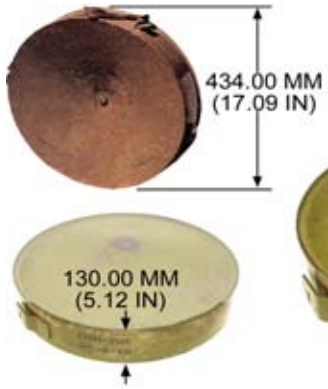
VM-62Z, FUZE, LANDMINE, AT, PRESS.

N.E.W. 7200.00 G



U.K. LANDMINE, AT, MK 7





U.S.S.R. LANDMINE, APERS, MON-200

Ordnance used with:
MUV-4, PULL
NVU-P, LANDMINE CTRL. DEVICE
VP-12, LANDMINE CTRL. DEVICE
NVU-PM, LANDMINE CTRL. DEVICE
VP-13, LANDMINE CTRL. DEVICE
MUV, PULL

N.E.W. 12.16 KG