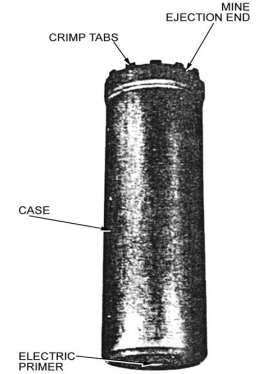
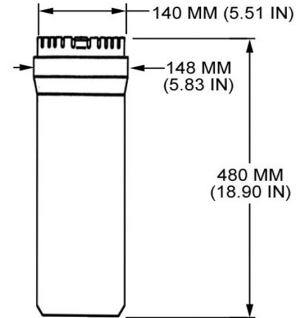


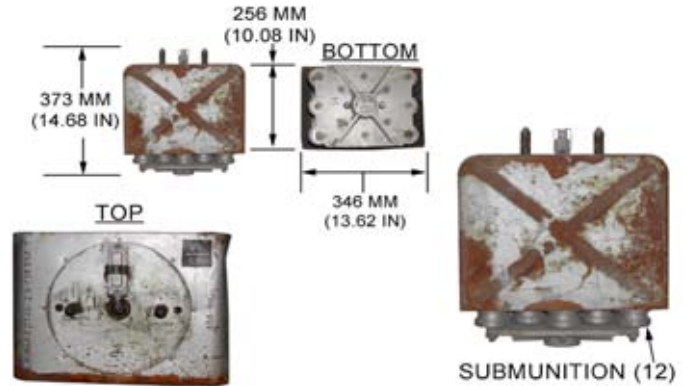
U.S.S.R. SUBMUNITION CANISTERS, MINE DISPENSING, EXPENDABLE, KSO-1 AND KSO-1S

Ordnance used with:
POM-1, LANDMINE, APERS
POM-1S, LANDMINE, APERS
PKM, PORTABLE LANDMINE DISPENSING SYS.



U.S.S.R. SUBMUNITION CONTAINER UNIT, BOMB DISPENSING, EXPENDABLE, BFK PTAB-2.5 KO

Ordnance used with:
KMGU
KMGU-2, DISPENSER, CAPTIVE
PTAB-2.5 KO, BOMB, HEAT/FRAG



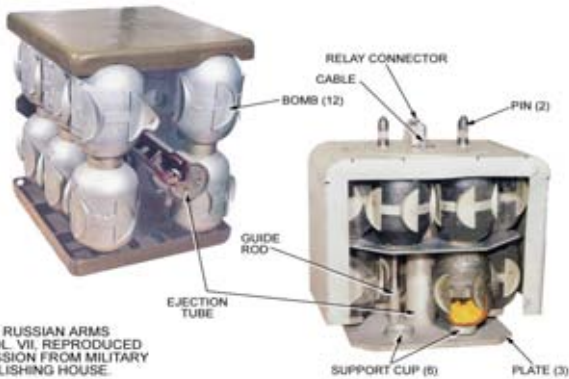


IMAGE FROM RUSSIAN ARMS CATALOG, VOL. VII, REPRODUCED WITH PERMISSION FROM MILITARY PARADE PUBLISHING HOUSE.

U.S.S.R. SUBMUNITION CONTAINER UNIT, BOMB DISPENSING, EXPENDABLE, BKF AO-2.5 RT

Ordnance used with:

KMGU

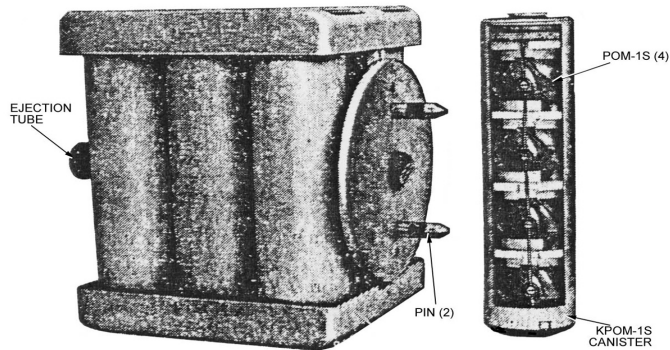
KMGU-2, DISPENSER, CAPTIVE

AO 2.5 RT, BOMB, FRAG

549S, ACTUATOR MECHANISM ASSEMBLY, EXPLOSIVE,...

BR 549C RELAY MECHANISM

MN 549C ACTUATOR MECHANISM



U.S.S.R. SUBMUNITION CONTAINER UNIT, BOMB DISPENSING, EXPENDABLE, BFK POM-1S

Ordnance used with:

KMGU

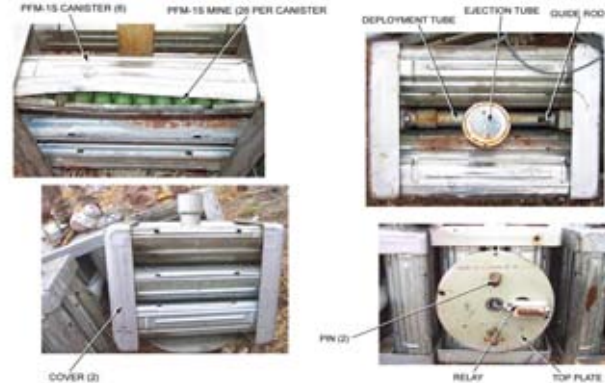
KMGU-2, DISPENSER, CAPTIVE

POM-1S, LANDMINE, APERS

KPOM-1S, SUBMUN. CANISTER, MINE DISPENSING, E...

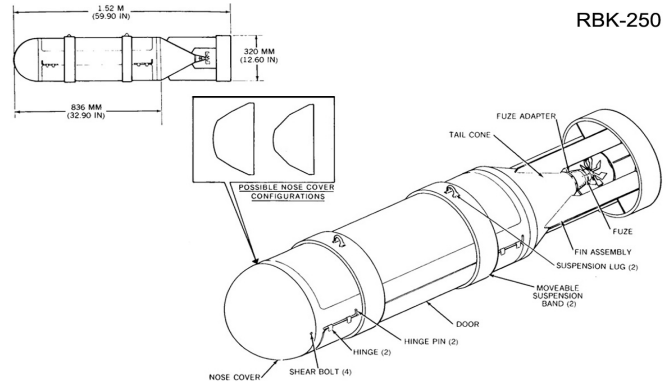
U.S.S.R. SUBMUNITION CONTAINER UNIT, CANISTER DISPENSING, BKF-PFM-1S

Ordnance used with:
 KMGU
 KMGU-2, DISPENSER, CAPTIVE
 GREEN PARROT
 PFM-1S, LANDMINE, APERS
 KPFM-1S, CANISTER, MINE DISPENSING

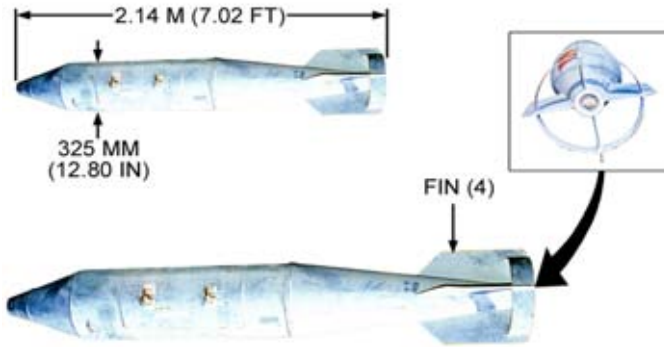


U.S.S.R. CLUSTER ADAPTER, RBK-250 (OLD STYLE)

Ordnance used with:
 PTAB 2.5, BOMB, HEAT 2.5 KG
 TG 70, BOMB, HEAT 2.5 KG
 TM-24B, BOMB, NOSE OR TAIL, MT
 PTAB-1.5, HEAT
 AO 2.5, BOMB, FRAG
 PTAB-2.5M, BOMB, HEAT
 PTAB-2.5, BOMB HEAT, SHORT TAIL



RBK-250



U.S.S.R. BOMB DISPENSER, 250-KG, RBK-250-275



U.S.S.R. DISPENSER, RBK-250

Ordnance used with:
ATK-EB, FUZE, BOMB, MT
ATM EB, BOMB, MT
PTAB 2.5, BOMB, HEAT 2.5 KG
TG 70, BOMB, HEAT 2.5 KG
TM-24B, BOMB, NOSE OR TAIL, MT
AO 2.5 2, BOMB FRAGMENTATION
PTAB-2.5M, BOMB, HEAT

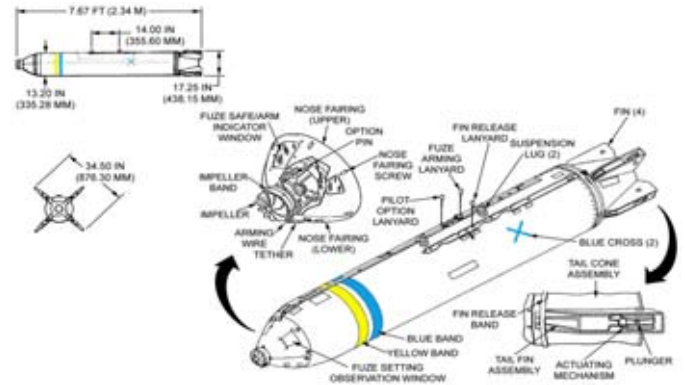
U.S.S.R. DISPENSER, RBK-250-275

Ordnance used with:
AO 1 SCH, BOMB, HE
AO-1SCH
ATK-EB, FUZE, BOMB, MT
ATM EB, BOMB, MT
TM-24B, BOMB, NOSE OR TAIL, MT
PTAB-2.5M, BOMB, HEAT
AO-10-6.5, BOMB, FRAG

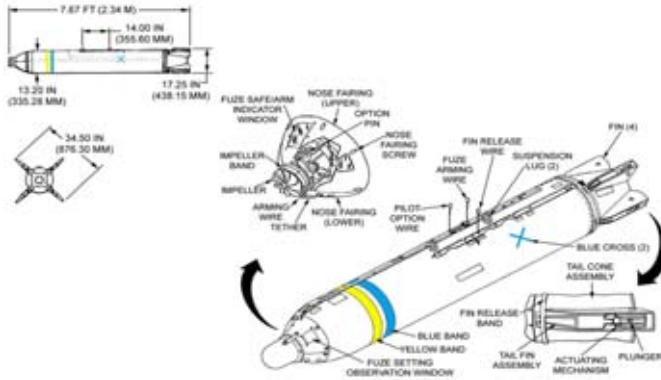


U.S. DISPENSER, LEAFLET, PDU-5/B (SUU-76C/B)

Ordnance used with:
MK 339 MOD 0, MT
MK 339 MOD 1, MT
MK 7 MOD 3, DISP.
SUU-76C/B



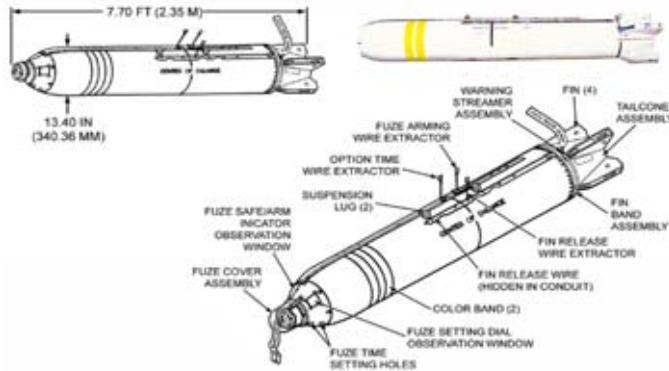
N.E.W. 27.90 G



U.S. DISPENSER, LEAFLET, SUU-76C/B

Ordnance used with:
 MK 339 MOD 0, MT
 MK 339 MOD 1, MT
 MK 7 MOD 3, DISP.
 PDU-5/B, DISPENSER, LEAFLET
 SUU-76C/B (PDU-5/B), LEAFLET, CBU

N.E.W. 34.50 G



U.S. DISPENSER, MK 7 MOD 11

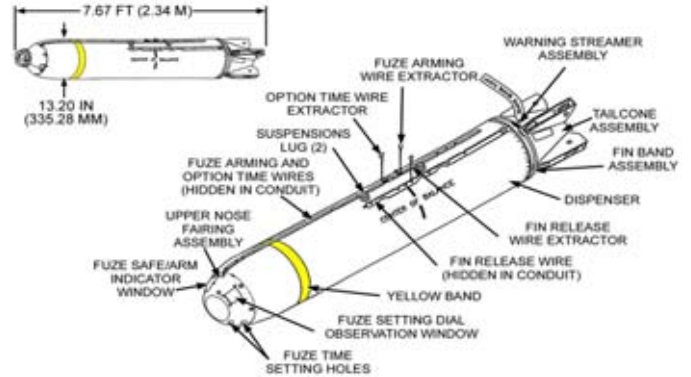
Ordnance used with:
 MK 339 MOD 0, MT
 MK 339 MOD 1, MT
 BOMB, AT, MK 118 MOD 0, ROCKEYE
 MK 20 MOD 11 CBU

N.E.W. 18.50 G

U.S. DISPENSER, MK 7 MOD 12 (ROCKEYE)

Ordnance used with:
MK 339 MOD 0, MT
MK 339 MOD 1, MT
BOMB, AT, MK 118 MOD 0, ROCKEYE
MK 20 MOD 12, CBU

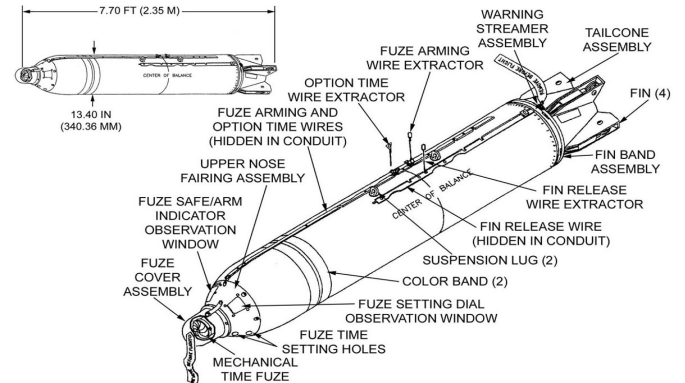
N.E.W. 18.50 G

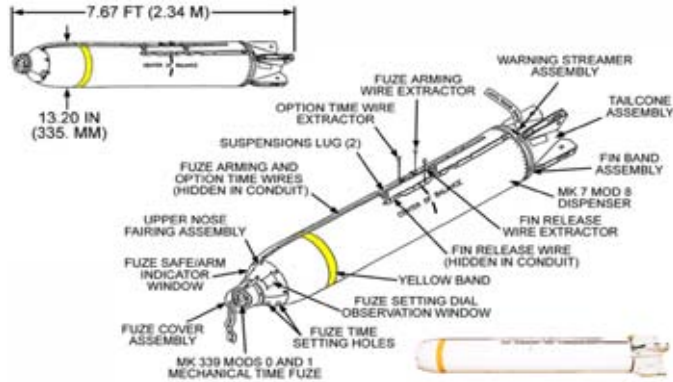


U.S. DISPENSER, MK 7 MOD 7

Ordnance used with:
MK 339 MOD 0, MT
MK 339 MOD 1, MT
BOMB, AT, MK 118 MOD 0, ROCKEYE
MK 20 MOD 7 CBU

N.E.W. 18.50 G

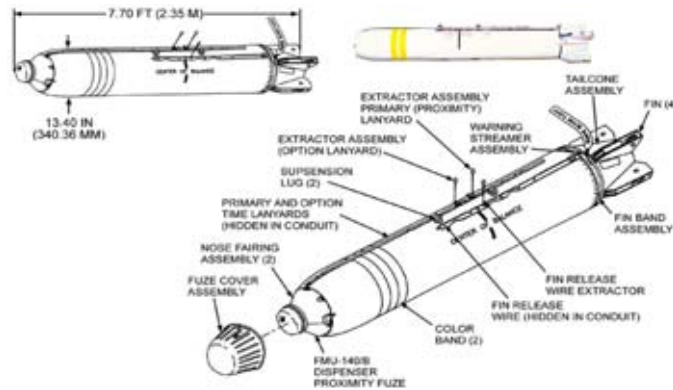




U.S. DISPENSER, MK 7 MOD 8

Ordnance used with:
 MK 339 MOD 0, MT
 MK 339 MOD 1, MT
 BOMB, AT, MK 118 MOD 0, ROCKEYE
 MK 20 MOD 8 CBU
 ROCKEYE

N.E.W. 100.79 LB



U.S. DISPENSER, MK 7 MOD 9

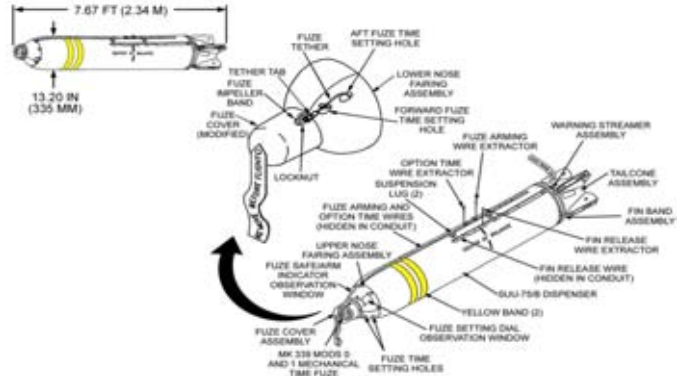
Ordnance used with:
 FMU-140/B, NOSE, PROX.
 BOMB, AT, MK 118 MOD 0, ROCKEYE
 MK 20 MOD 9 CBU

N.E.W. 18.50 G

U.S. DISPENSER, SUU-75/B

Ordnance used with:
 MK 339 MOD 0, MT
 MK 339 MOD 1, MT
 BOMB, AT, MK 118 MOD 0, ROCKEYE
 CBU-99/B

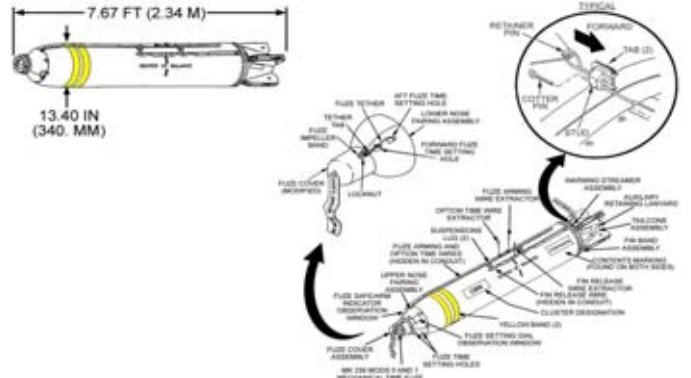
N.E.W. 95.25 LB

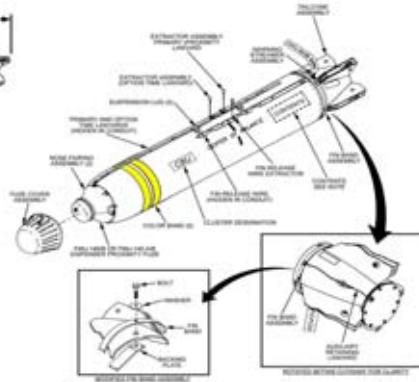
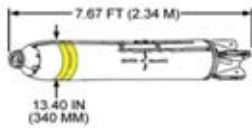


U.S. DISPENSER, SUU-76/B

Ordnance used with:
 MK 339 MOD 0, MT
 MK 339 MOD 1, MT
 MK 7 MOD 3, DISP.
 BOMB, AT, MK 118 MOD 0, ROCKEYE
 CBU-100/B

N.E.W. 95.25 LB

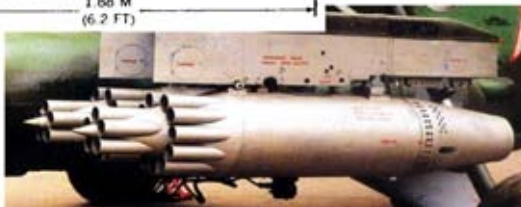
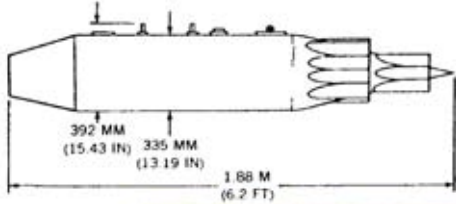




U.S. DISPENSERS, SUU-75A/B AND SUU-75B/B

Ordnance used with:
 FMU-140/B, NOSE, PROX.
 BOMB, AT, MK 118 MOD 0, ROCKEYE
 CBU-99A/B
 CBU-99B/B
 FMU-140A/B, BOMB FUZE

N.E.W. 100.00 LB



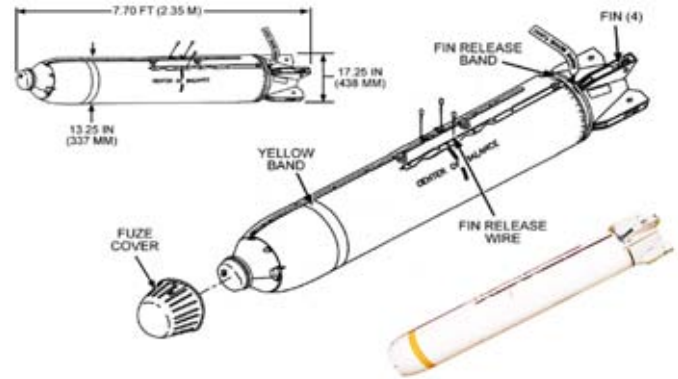
U.S.S.R. LAUNCHER, UB-16-57, UMVP

Ordnance used with:
 S-5KO, 57-MM, WARHEAD, HEAT-FRAG, A-TO-S
 S-5KPB, 57-MM, HEAT/FRAG, A-TO-S
 S-5M, 57-MM, HE, A-TO-S
 S-5KP, 57-MM, HEAT/FRAG, A-TO-S

U.S. DISPENSER, MK 7 MOD 10

Ordnance used with:
FMU-140/B, NOSE, PROX.
MK 339 MOD 0, MT
MK 339 MOD 1, MT
BOMB, AT, MK 118 MOD 0, ROCKEYE
MK 20 MOD 10 CBU

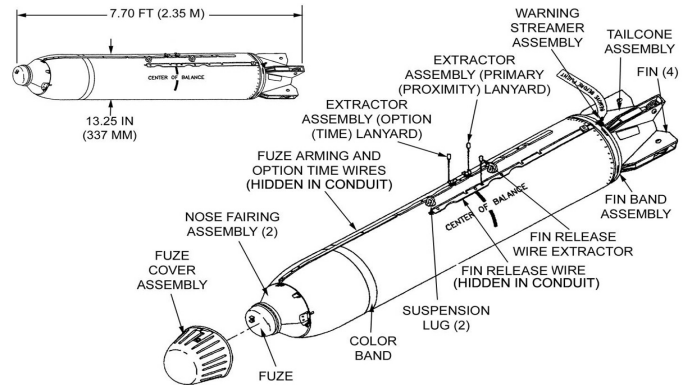
N.E.W. 18.50 G

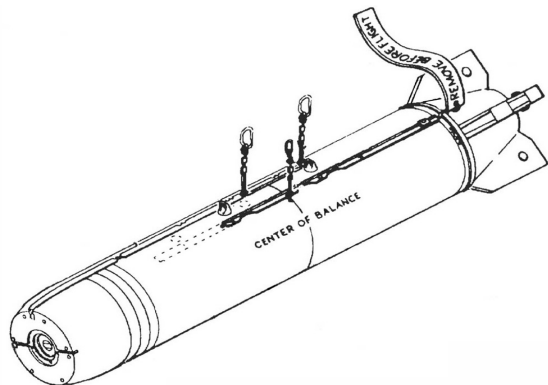


U.S. DISPENSER, SUU-76A/B

Ordnance used with:
FMU-140/B, NOSE, PROX.
BOMB, AT, MK 118 MOD 0, ROCKEYE
CBU-100A/B

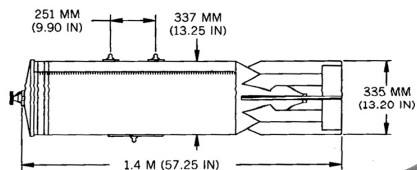
N.E.W. 100.00 LB





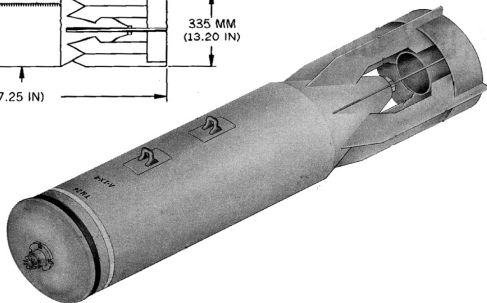
U.S. DISPENSER, SUU-76B/B

Ordnance used with:
CBU-100B/B



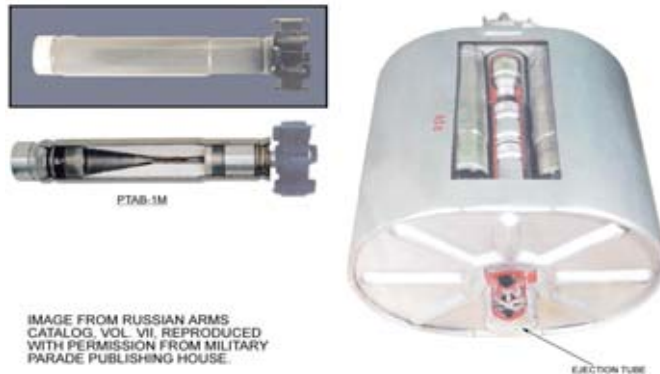
U.S.S.R. CLUSTER, BOMB, FRAG, PROSAB-250

Ordnance used with:
MDL. UNKNOWN, BOMB, 1.5-KG, FRAG
TM-24A, BOMB, NOSE OR TAIL
OKT-1.5, BOMB, CHEMICAL OR INCENDIARY



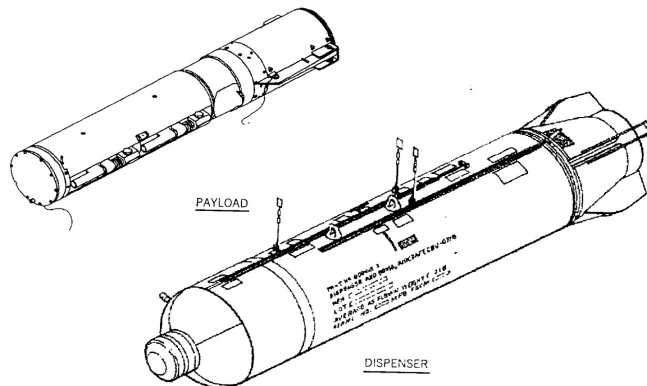
U.S.S.R. SUBMUNITION CONTAINER UNIT, BOMB DISPENSING, EXPENDABLE, BFK PTAB-1M

Ordnance used with:
KMGU
KMGU-2, DISPENSER, CAPTIVE
PTAB-1M, BOMB, HEAT



TYPICAL CLUSTER, CLUSTER BOMB, OR CBU SYSTEM

Ordnance used with:
MK 339 MOD 0, MT
MK 339 MOD 1, MT
MK 7 MOD 2, DISP.
BOMB, AT, MK 118 MOD 0, ROCKEYE



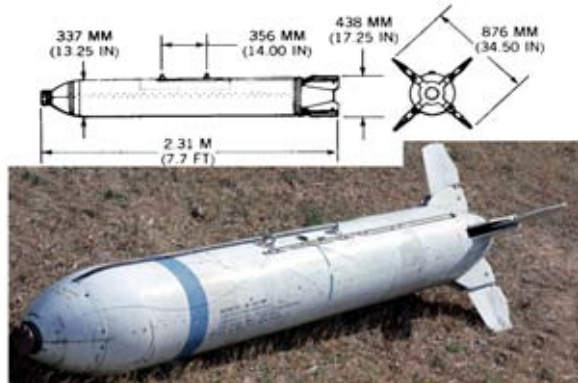
N.E.W. 100.00 LB



U.S. CLUSTERS, CLUSTER BOMBS, AND CLUSTER BOMB UNIT (CBU) SYSTEMS; MK 20 MOD 3, 4, & 6 CB

Ordnance used with:
MK 339 MOD 1, MT
MK 7 MOD 4, DISP.
MK 118, VECP MODIFIED, (ROCKEYE)
BOMB, AT, MK 118 MOD 0, ROCKEYE
BOMB, AT, MK 118 MOD 1, ROCKEYE
NOTS 306A, LEAD

N.E.W. 100.00 LB



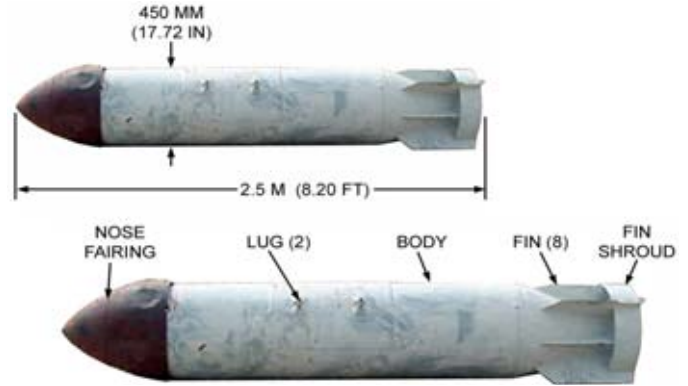
U.S. DISPENSERS, MK 7 MODS 2, 3, 4 & 6

Ordnance used with:
FMU-140/B, NOSE, PROX.
MK 339 MOD 0, MT
MK 339 MOD 1, MT
SUU-58/B, DISP.
BLU-77/B, BOMB UNIT, HEAT-FRAG
BLU-91/B, BOMB, AT/AV
GATOR

N.E.W. 18.50 G

U.S.S.R. BOMB, CLUSTER, RBK-500 AO-2.5 RTM

Ordnance used with:
AO 2.5 RTM, BOMB, FRAG
AV-527, NOSE, ELEC.
ATK-EA, FUZE, BOMB
KP-527, EXPLOSIVE DISCONNECT/DEPLOYMENT MECHANISM



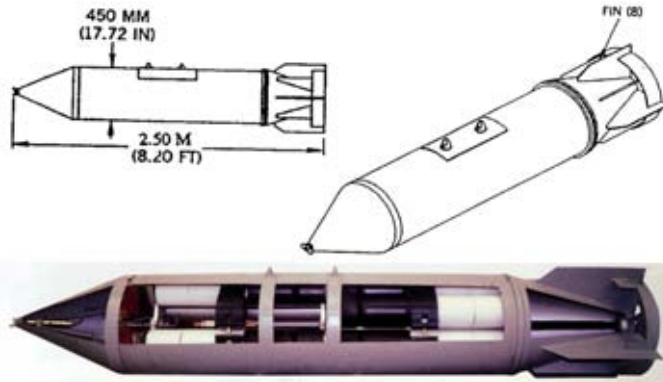
U.S.S.R. CLUSTER BOMB UNIT, RBK-500 AO 2.5 RT

Ordnance used with:
AO 2.5 RT, BOMB, FRAG
AV-527, NOSE, ELEC.
KP-527, EXPLOSIVE DISCONNECT/DEPLOYMENT MECHANISM



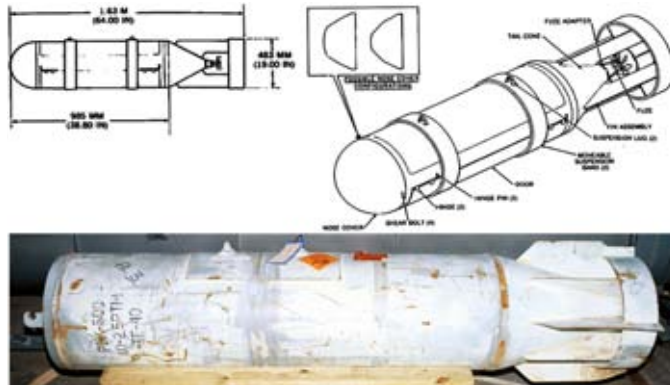
MARKINGS ON BACK





U.S.S.R. DISPENSER, 500-KG, RBK-500

Ordnance used with:
 AV-527, NOSE, ELEC.
 KP-527, EXPLOSIVE DISCONNECT/DEPLOYMENT MECHANISM
 UNDESIG, BOMB, CONCRETE PENETRATOR, (USED WIT...

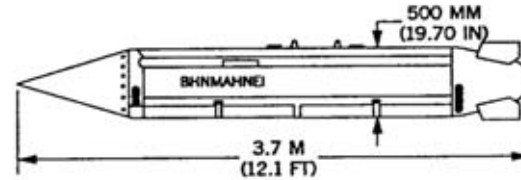


U.S.S.R. CLUSTER ADAPTER, RBK-500 (OLD STYLE)

Ordnance used with:
 PTAB 2.5, BOMB, HEAT 2.5 KG
 TG 70, BOMB, HEAT 2.5 KG
 TM-24B, BOMB, NOSE OR TAIL, MT
 PTAB-1.5, HEAT
 AO 2.5, BOMB, FRAG
 PTAB-2.5M, BOMB, HEAT
 PTAB-2.5, BOMB HEAT, SHORT TAIL

U.S.S.R. DISPENSER, CAPTIVE, KMGU-2

Ordnance used with:
LBO, BOMB, FRAG, HE
MN-121, LANDMINE, AT
MI-24, HELICOPTER (HIND E)
AO 2.5 RT, BOMB, FRAG
AO 2.5 RTM, BOMB, FRAG
PGMDM, LANDMINE, AT
PTM-1, LANDMINE, AT
N.E.W. 135.00 KG



U.S.S.R. LAUNCHER, UB-32A1

Ordnance used with:
S-5KO, 57-MM, WARHEAD, HEAT-FRAG, A-TO-S
S-5KPB, 57-MM, HEAT/FRAG, A-TO-S
S-5M, 57-MM, HE, A-TO-S
S-5KP, 57-MM, HEAT/FRAG, A-TO-S



**U.S. CLUSTER BOMB UNIT (CBU) SYSTEMS;
CBU-87/B**



Ordnance used with:
SUU-65/B, DISP.
BLU-97/B, BOMB FRAG/ HEAT
FZU-39/B, PROX. SENSOR, CBU
UNDESIGNATED, MT

N.E.W. 129.00 LB

**U.S. CLUSTER BOMB UNIT (CBU) SYSTEMS;
CBU-87 A/B**

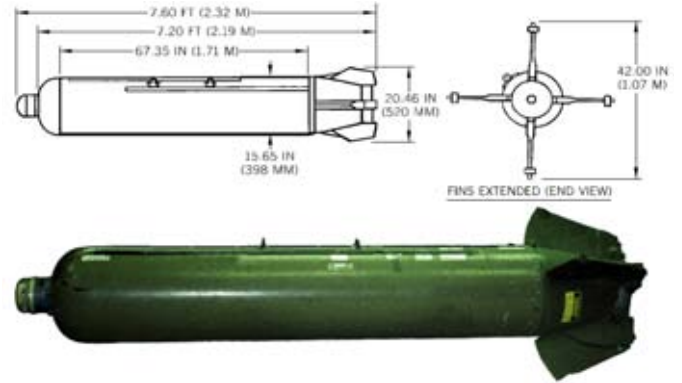


Ordnance used with:
SUU-65/B, DISP.
BLU-97/B, BOMB FRAG/ HEAT
FZU-39/B, PROX. SENSOR, CBU
UNDESIGNATED, MT

N.E.W. 129.00 LB

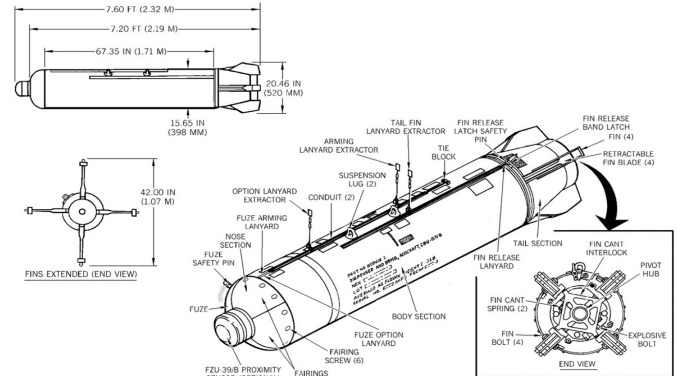
U.S. DISPENSER, AIRCRAFT, SUU-65/B

Ordnance used with:
 BLU-97/B, BOMB FRAG/ HEAT
 BLU-97A/B, BOMB, FRAG/HEAT
 CBU-87/B
 COMBINED EFFECTS MUNITION
 CBU-87A/B
 CBU-87B/B
 FZU-39/B, PROX. SENSOR, CBU



U.S. DISPENSER, AIRCRAFT, SUU-65/B (WCMD)

Ordnance used with:
 BLU-97/B, BOMB FRAG/ HEAT
 BLU-97A/B, BOMB, FRAG/HEAT
 CBU-103/B, (WCMD)
 CBU-103A/B, (WCMD)
 CBU-103B/B, (WCMD)
 FZU-39/B, PROX. SENSOR, CBU
 BLU-114/B, SUBMUNITION, ANTI-ELECTRICAL



U.S.S.R. LAUNCHER, ROCKET, 20-SHOT, B-8V20-A



Ordnance used with:

S-8K0M, 80-MM, HEAT/FRAG, A-TO-S

S-8KO, 80-MM, HEAT/FRAG, A-TO-S

S-8ASM, 80-MM, FLECHETTE, A-TO-S

S8ASM, 80-MM, FLECHETTE, A-TO-S
